



TUTORIAL MODELLING

All information in this document is subject to modification without prior notice. No part of this manual may be reproduced, stored in a database or retrieval system or published, in any form or in any way, electronically, mechanically, by print, photo print, microfilm or any other means without prior written permission from the publisher. SCIA is not responsible for any direct or indirect damage because of imperfections in the documentation and/or the software.

© Copyright 2024 SCIA nv. All rights reserved.

Table of Contents

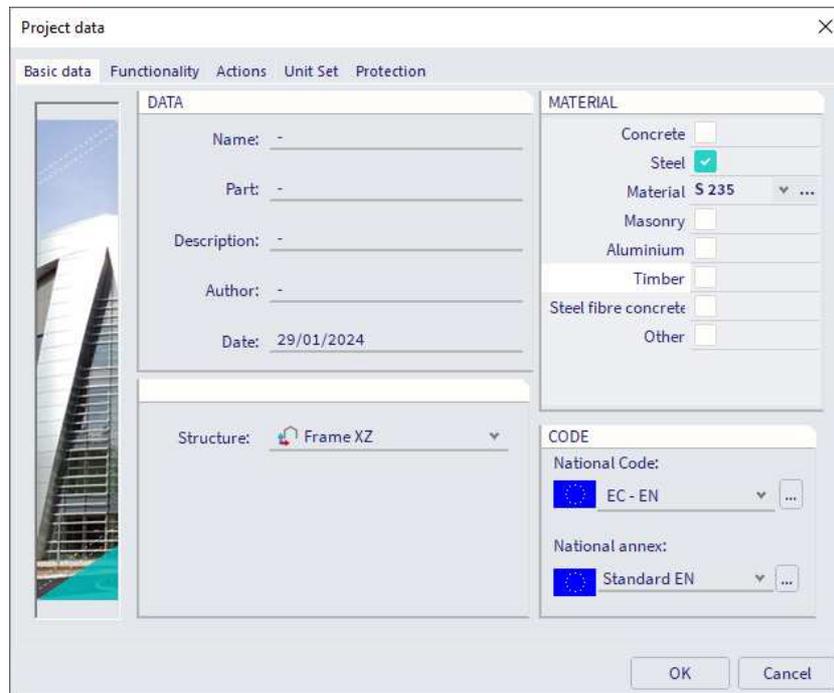
Table of Contents	3
Input of structural entities – 1D elements	4
Example 1: Frame.....	4
Example 2: Frame.....	11
Example 3a: Hall.....	16
Example 3b: Hall.....	24
Example 4: Purlins	30
Example 5: Bridge.....	37
Example 6: Carrousel.....	44
Example 7: Bearing frame	48
Input of structural entities – 2D elements	53
Example 8: Rectangular plate	53
Example 9: Slab on an elastic foundation (subsoil)	58
Example 10: Slab with ribs.....	66
Example 11: Precast wall.....	69
Example 12: Balcony	72
Example 13: Tank.....	75
Example 14: Swimming pool.....	79
Example 15: Cooling Tower	85
Example 16: Steel hall with concrete plate.....	90
Example 18: Detailed study of a column base	94

Input of structural entities – 1D elements

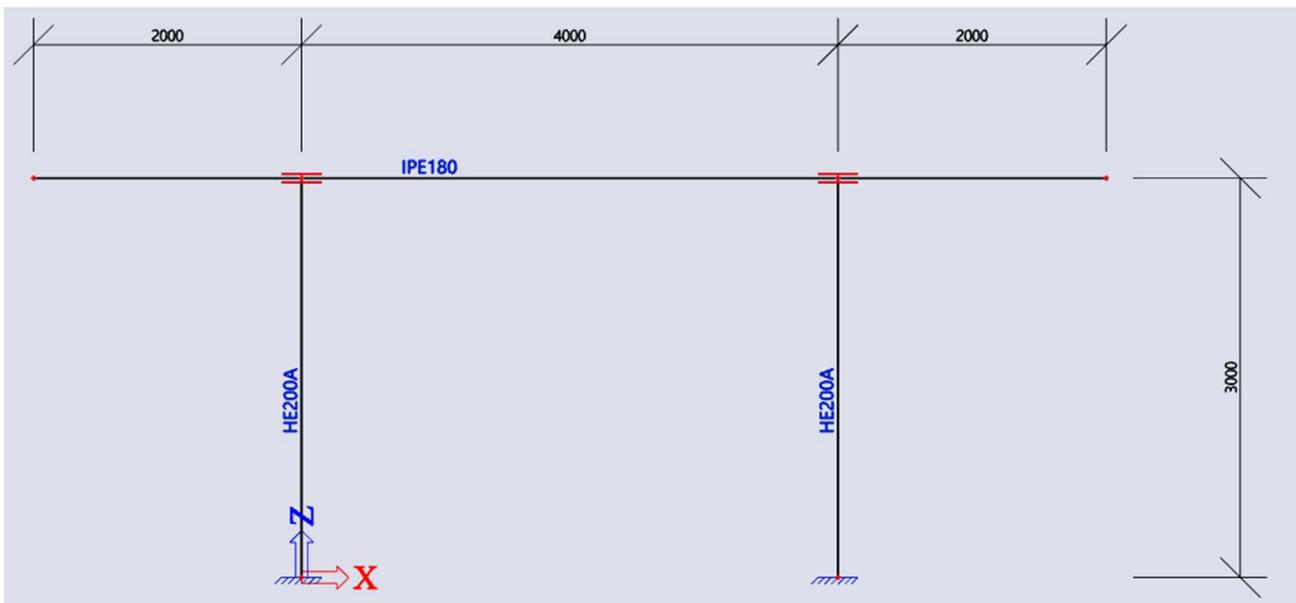
Example 1: Frame

1. Input of geometry

- **Project data:** Frame XZ – Steel S 235

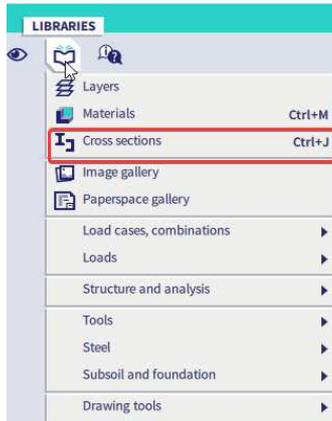


- **Geometry:**

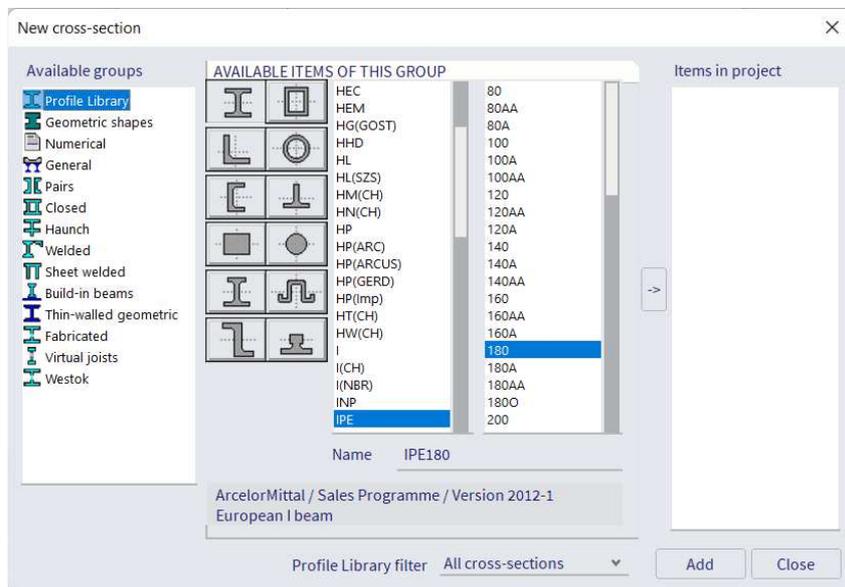


- **Adding cross-sections:**

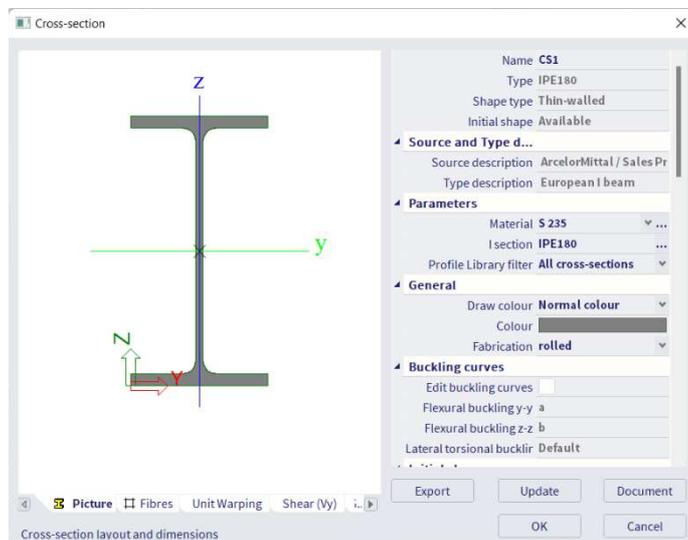
To add cross-sections click on “Library” > “Cross-sections”



Add a new cross-section from the library on the left, choose an I-shaped cross-section on the right for the beams:



When you click on ‘Add’ a new window opens where you can change some parameters of the cross-section:



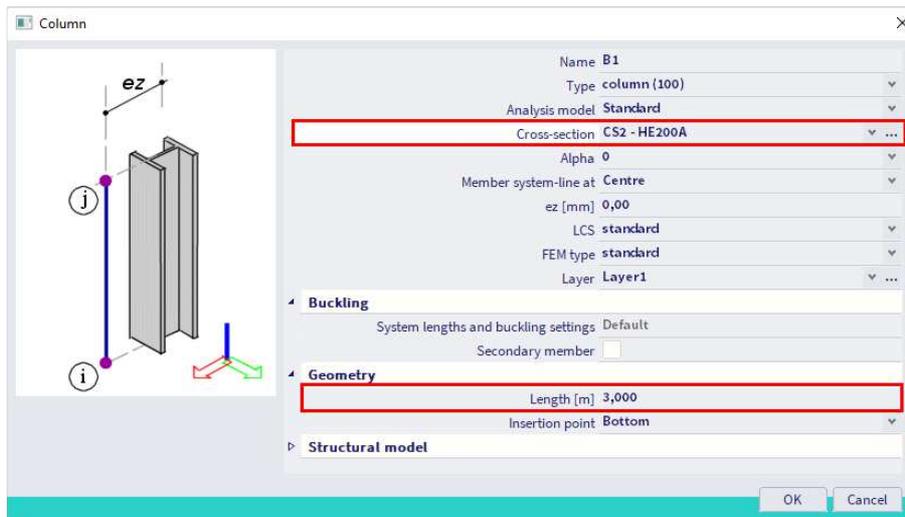
Use the same approach to add a cross-section for the columns, HE200A for this example.

- **Inputting elements:**

You can narrow down the content of the Input Panel by setting the category filter to '1D Members'. There are 3 options to define a 1D element:

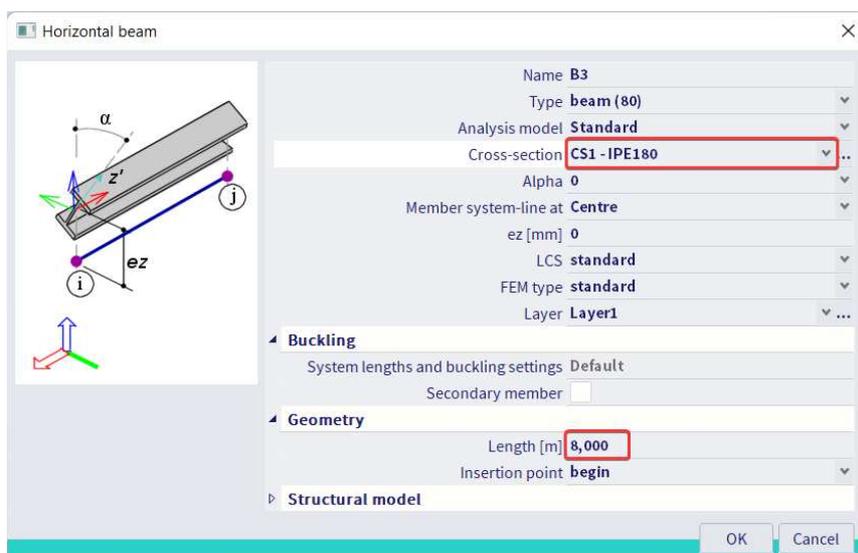


Choose 'Column' from the input panel and change the properties in the pop-up window like shown below:



Click 'OK' and draw the left column by entering '0 0' and clicking ENTER to end the action. You can now click ESC to close the action or enter another coordinate: enter '3 0' for the right column, click enter and close the action with ESC. Note that coordinates are separated with a SPACE in between them. Because we are in a 2D environment, we only need to fill in 2 coordinates.

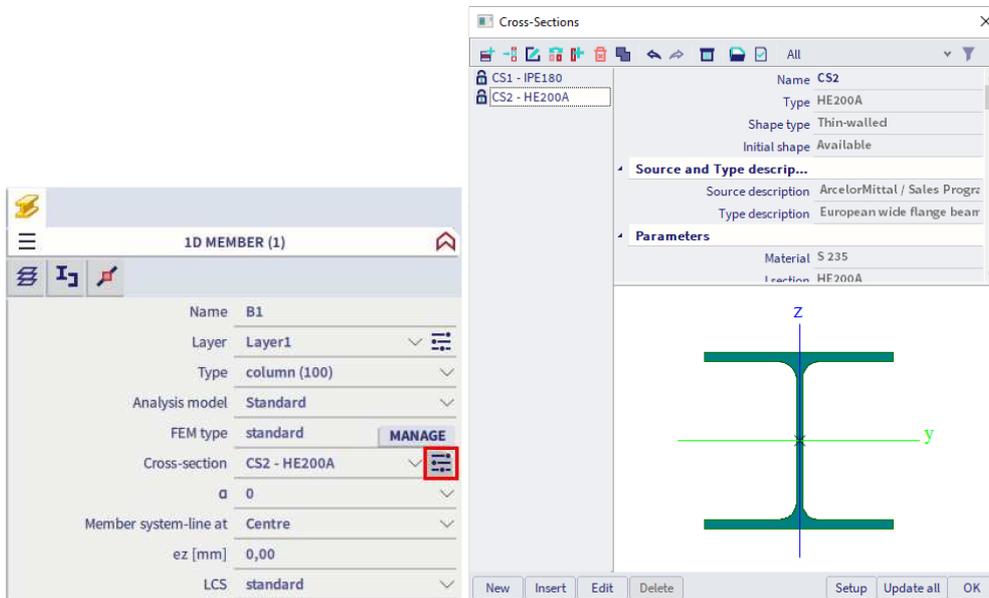
For the beams, choose 'Beam' from the Input Panel and change the properties as shown below:



Click 'OK' to start modelling. The beam is entered from the beginning (left side) so again enter coordinates first '-2,5 3' and ESC to close the action.

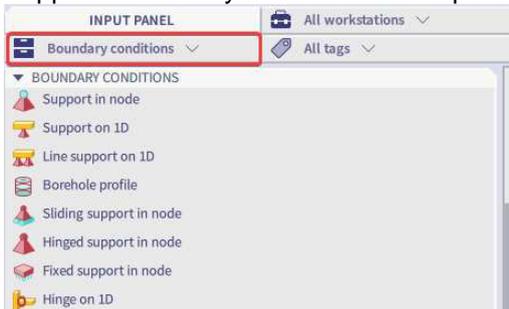
- **Modifying geometry:**

After you model a certain element, the properties can always be modified from the property panel. For example if you want to change the cross-section of an element: select the element and click on the 'Manage' icon next to the cross-section property. From there you can access the cross-section editor gain by clicking on 'Edit'.



- **Add supports:**

Supports can easily be found in the Input Panel by filtering the category to 'Boundary conditions':

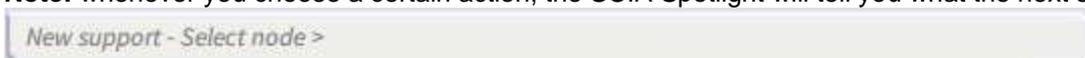


Enter a fixed support on the bottom of the columns by choosing 'Support in node' from the Input Panel and changing the properties as shown below:



Simply select the nodes where you want these supports to be applied to and end action with ESC.

Note: whenever you choose a certain action, the SCIA Spotlight will tell you what the next step should be:



1. Changing the view

- **Navigate:**

There are two ways to navigate around the model in SCIA:

- **By using the mouse and keyboard**

CTRL + right mouse button = rotate.
 SHIFT + right mouse button = pan.
 Click mouse wheel = pan.
 Roll mouse wheel = zoom.

Note: if you want to rotate around a certain element you first have to select it.

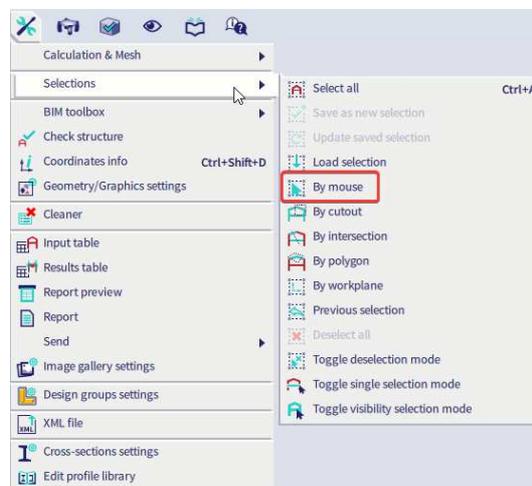
- **By using the Navicube**



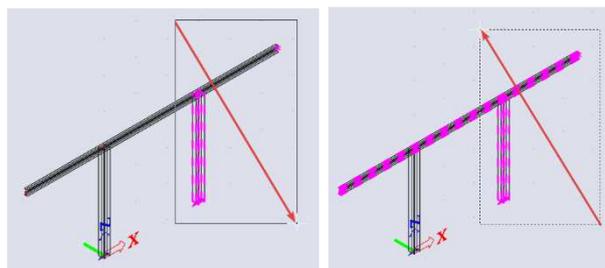
You can click on all sides of the Navicube to show an orthogonal view of your model.

- **Selecting objects:**

There are different ways to select an object, by default it is set to 'By mouse' if you go to 'Tools' > 'Selections':

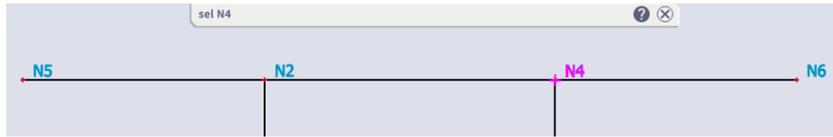


If you click and drag the mouse depending on the direction you will select elements that fall inside of the box partly or completely:



Left to right: elements must fall inside the box completely to be selected.
 Right to left: elements that fall inside the box partly will be selected.

You can also search for any object if you know the name of it. Type 'sel' in the SCIA Spotlight followed by a SPACE and the name of the object you wish to search:



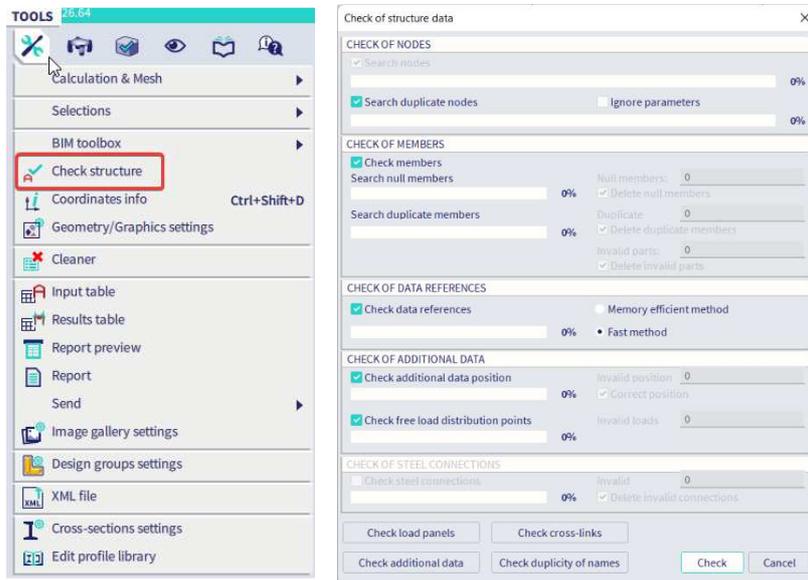
The element will then be selected. If the element has a SPACE in the name, you'll have to add brackets ("") around the name when you use the 'sel' command.

2. Actions after the input of the geometry.

We recommend to execute two actions before you start to run the calculation:

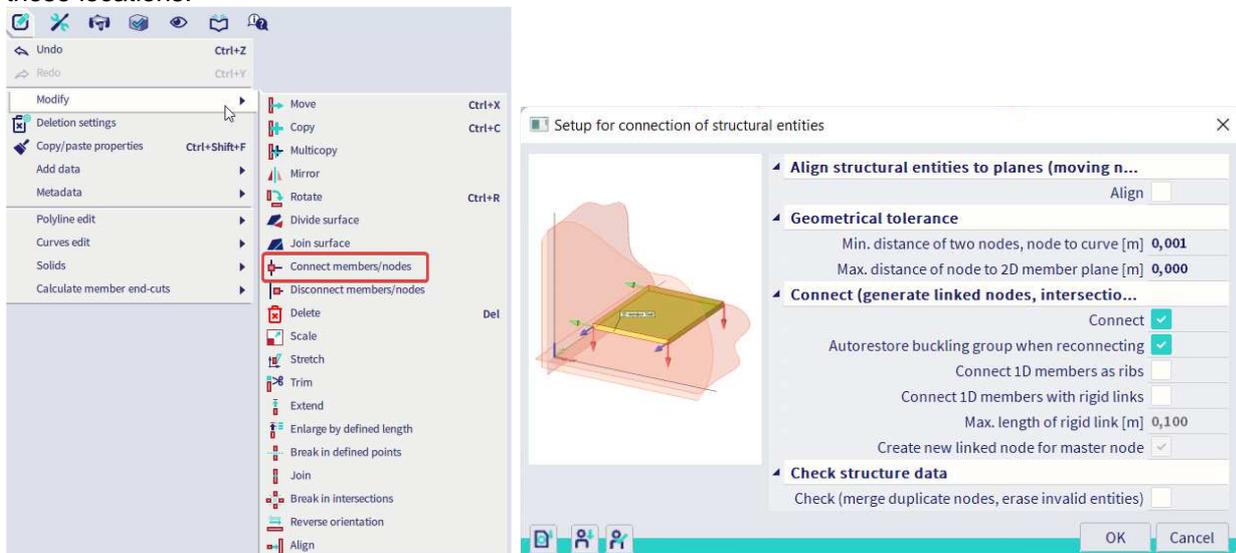
- Tools > **Check structure**

This checks your structure for double nodes, double elements and deletes them. It also checks if there are any incorrect entities defined both in elements and additional data:



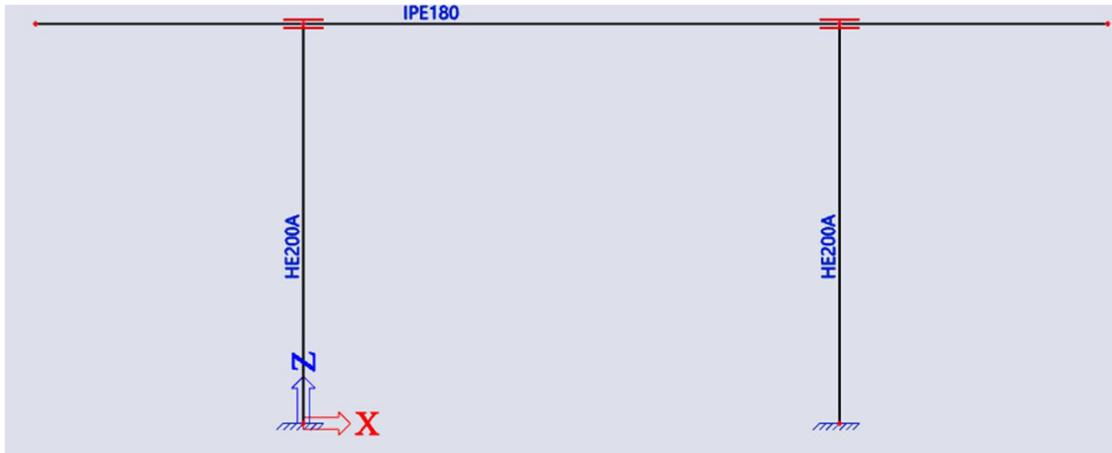
- Edit > Modify > **Connect members/nodes**

This allows Scia to search for contacts between two intersecting elements and adds a rigid connection in these locations:



Note : you can either do this for a number of selected nodes or all nodes in the model when nothing was selected before choosing this action.

In this specific example there were two connections made between the columns and the beam in the upper nodes of the column. These are marked with two parallel red lines so that you know there is a connection:



Elements which share a node are automatically connected.

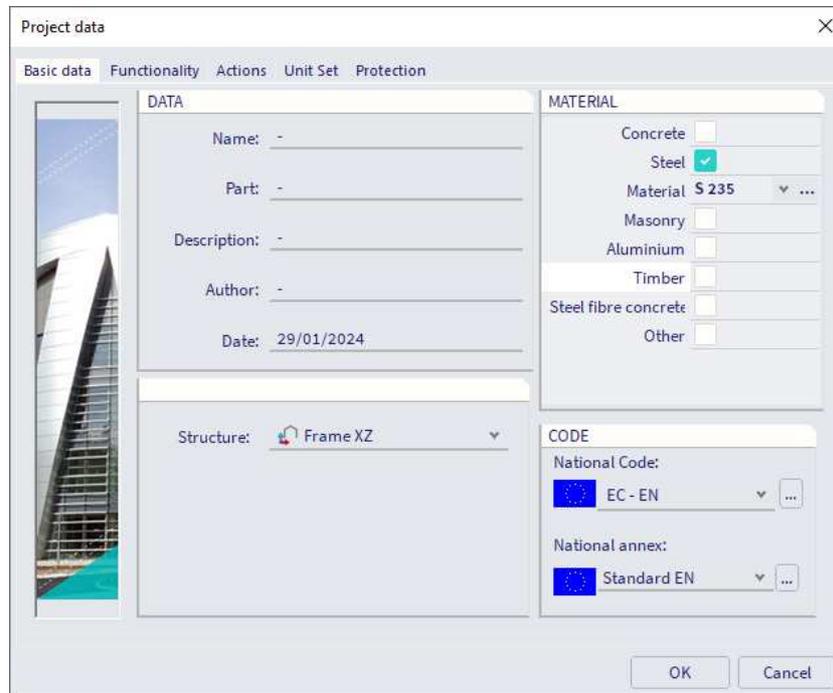
Note: by default an option is activated in the solver settings to always connect nodes before the calculation. So there's no need to manually connect nodes, but you can to check if everything was modeled properly before calculating:



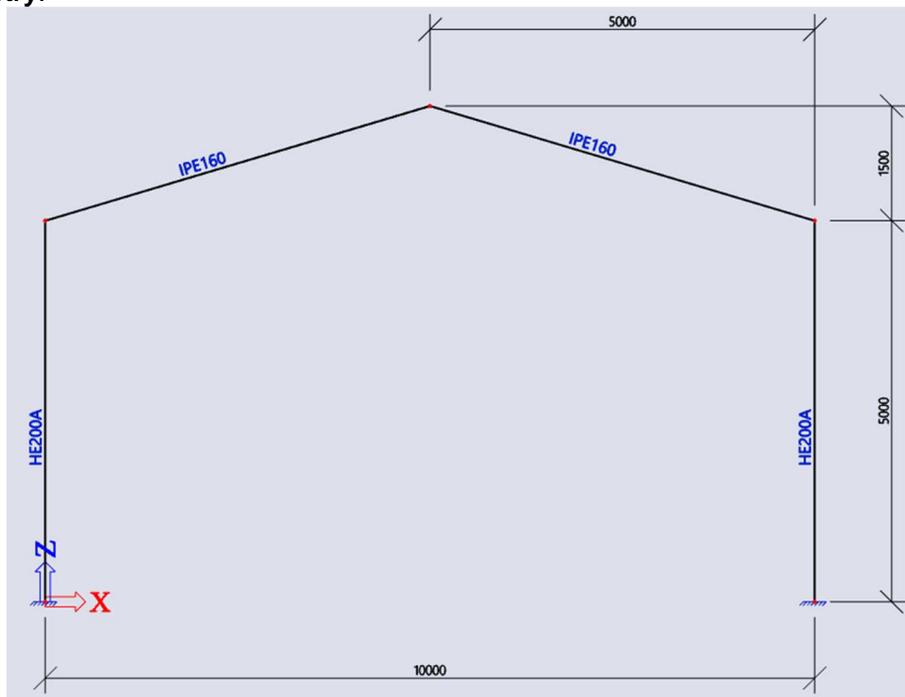
Example 2: Frame

1. Input of geometry

- **Project data:** Frame XZ – Steel S 235:



- **Geometry:**



- **Adding cross-sections:**

To add cross-sections click on “Library” > “Cross-sections”.

For this example we are using I-shaped cross-sections, you can find them in the library under this icon:

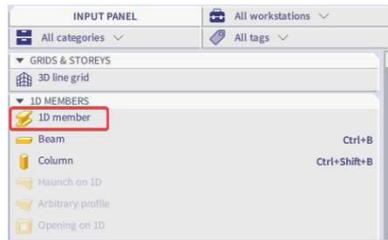


We are going to need two type of cross-sections: IPE160 for the beams, HE200A for the columns.

- **Inputting elements:**

First approach:

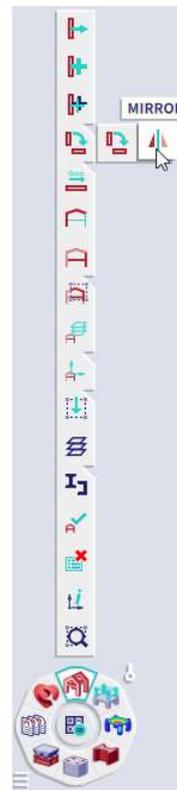
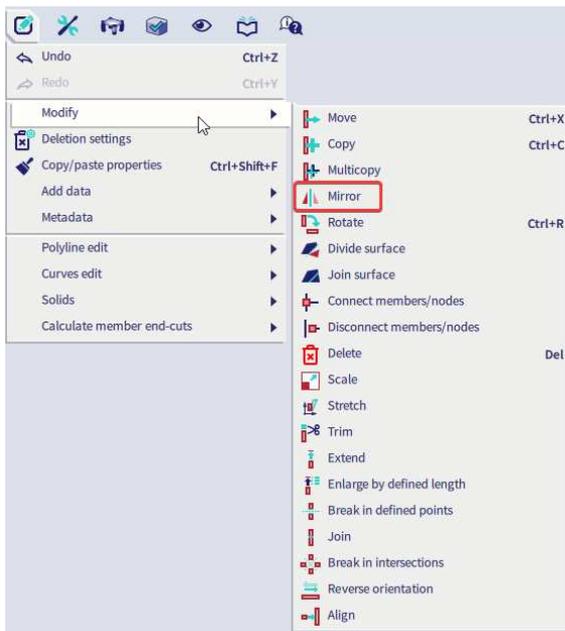
-Left side of the frame: in the Input Panel choose for 1D member under '1D members'.



Choose the HE200A cross-section for the columns, click 'OK', enter the coordinates '0 0' followed by ENTER, enter the coordinates '0 5' followed by ESC to end the action.

Repeat the above steps for the beams with cross-section IPE 160 and coordinates '0 5' and '5 6,5'.

-Next use the mirror option under Edit > Modify or search it under the structure branch of the Process Toolbar:

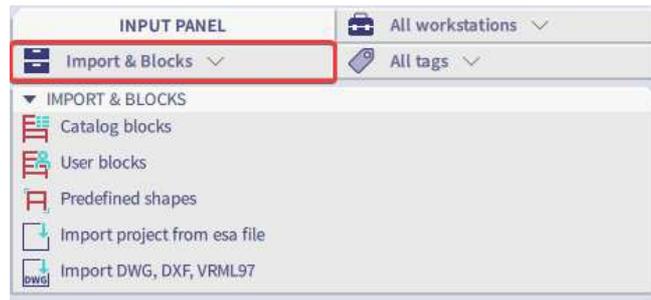


After activating the mirror function follow the next steps, which are also shown in the SCIA Spotlight, and mirror the left side of the frame to the right:

- 1- Select the elements you want to mirror, end with ESC.
- 2- Choose the first node of the mirror plane.
- 3- Choose the second node of the mirror plane (tip: enable tracking guides under the snap settings).
- 4- Choose 'No' in the next pop-up window to keep the left side of the frame as well.

Second approach:

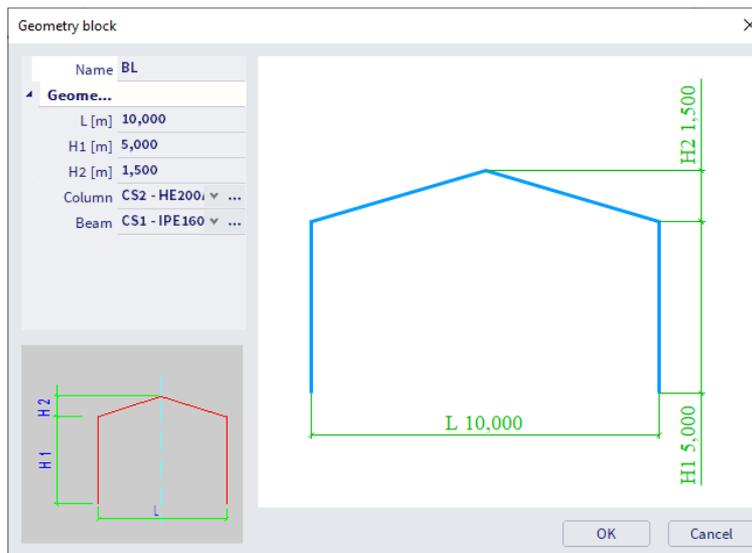
There are also some predefined blocks available in Scia which you can use to quickly model a structure. In the Input Panel set the category filter to 'Import & Blocks' and choose for 'Catalog blocks':



Under 'Frame 2D' choose the upper left option which allows you to design a symmetrical frame based on the dimensions:



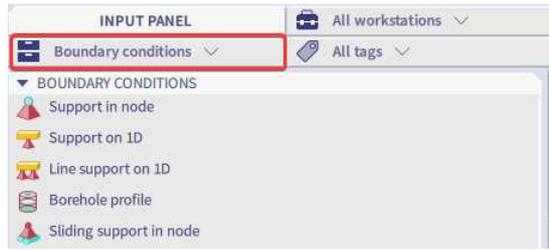
In the next window you can fill in the dimensions we showed you in the beginning of this exercise and choose a cross-section for both columns and beams:



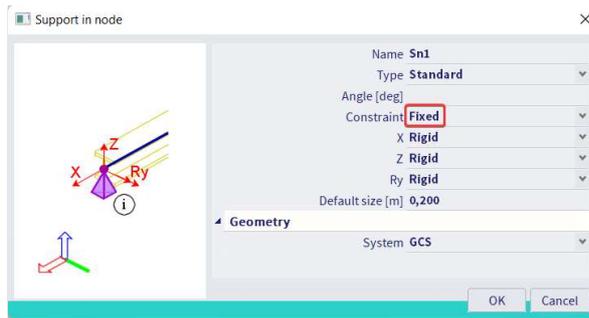
After you click 'OK' and 'OK' once more the only thing left to do is define an insertion point so enter the coordinates '0 0'.

- **Add supports:**

Filter the category of the Input Panel to 'Boundary conditions' and choose for 'Support in node':



Change the properties in the next window as shown below and select the nodes where you want to apply the support to, bottom two nodes for this example.



2. Manipulations

- **Moving nodes**

You have a number of option to move a node, first select one and after:

- Drag the node with the left mouse button.
- Change the coordinates in the property panel:

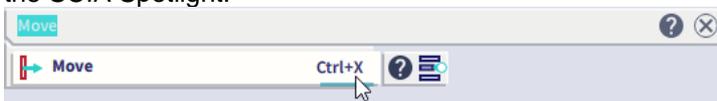


Note that if you select multiple elements there is an icon for every element in the selection on top of the property panel. In the current selection there are both members and nodes.

- Move it with the below option from the Process Toolbar:



- Use a hotkey (CTRL+X by default for moving). Hotkeys can be assigned to any command in the SCIA Spotlight:

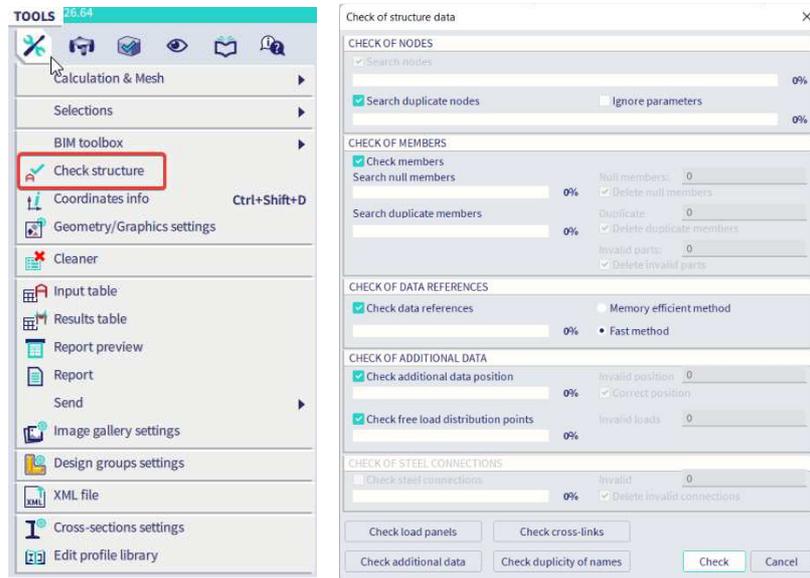


3. Actions after the input of the geometry

We recommend to execute two actions before you start to run the calculation:

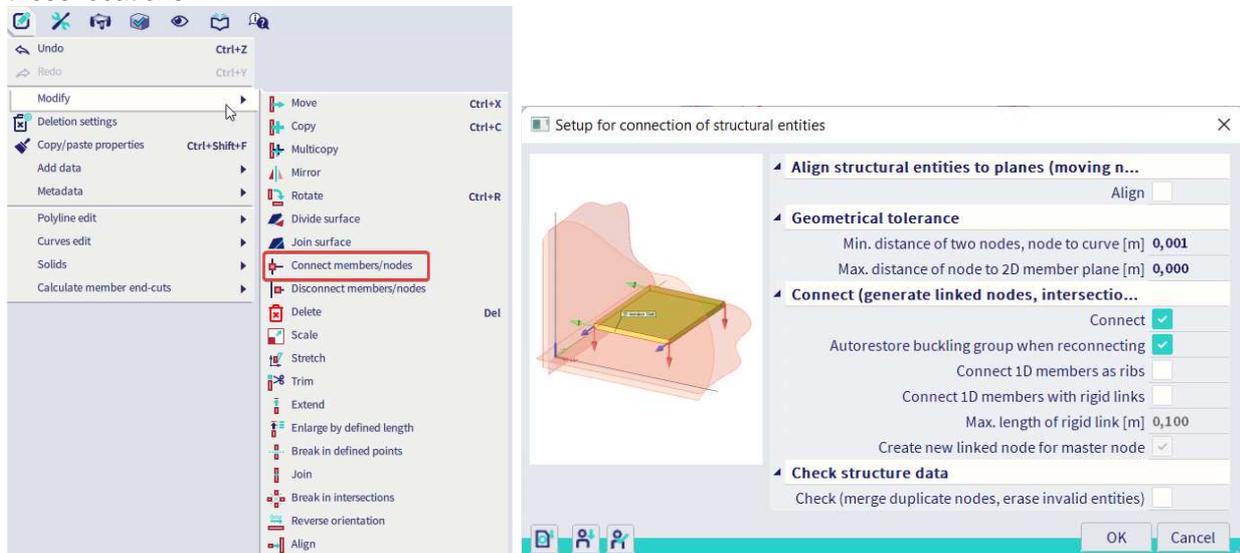
- Tools > **Check structure**

This checks your structure for double nodes, double elements and deletes them. It also checks if there are any incorrect entities defined both in elements and additional data:



- Edit > Modify > **Connect members/nodes**

This allows Scia to search for contacts between two intersecting elements and adds a rigid connection in these locations:

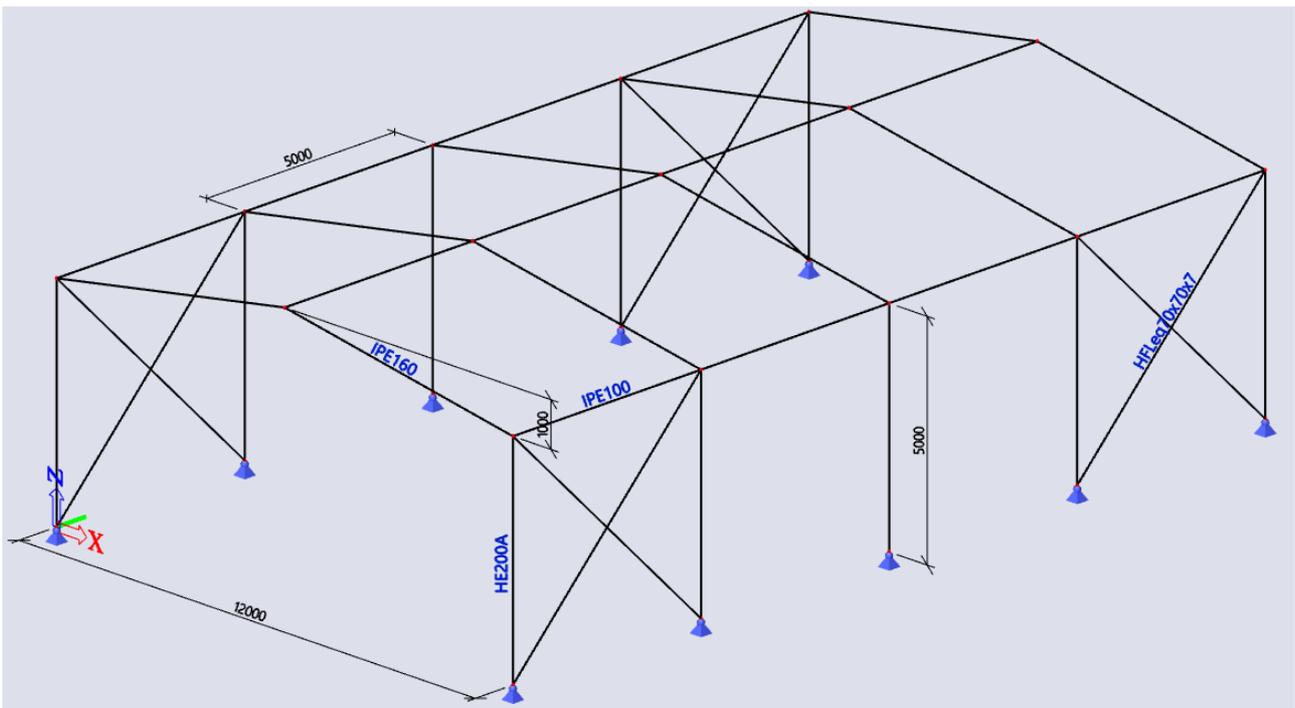


Note: you can either do this for a number of selected nodes or all nodes in the model when nothing was selected before choosing this action. For this specific example no additional connections were made because all 1D elements share a node with the adjacent member.

Example 3a: Hall

- **Project data:** Frame XYZ – Steel S 235

- **Geometry:**



1. Input of the geometry

- For the first frame you can use the steps as described in **example 2**.
- **Copy** the first frame using one of the below approaches:

-Copy: choose the below option from the Process Toolbar, select the first frame, click on a start point and type @ followed by the coordinates of location where you want to copy the frame to:



Repeat the above to make 5 copies of the first frame in total.

You can also use the default hotkey CTRL+C to copy. If you want to copy or move in a certain direction you can also use the tracking guides in the snap settings. Aim in a certain direction and simply add a value followed by ENTER.

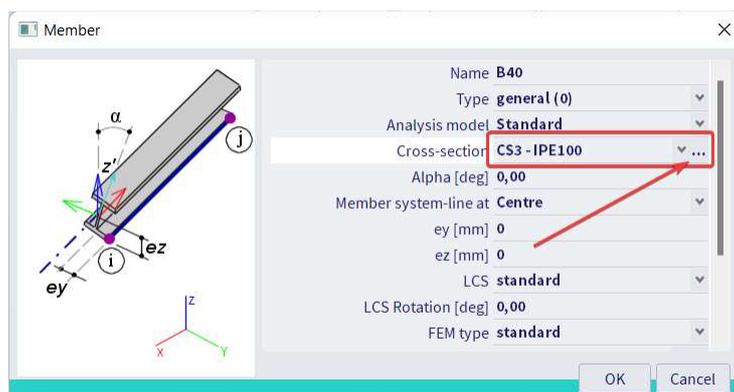
-Multicopy: choose the below option from the Process Toolbar, select the first frame and fill in the below properties (make sure you don't add the lower nodes in the selection):



DISTANCE VECTOR	
x	0,000 m
y	5 m
z	0,000 m

ROTATION	
rx	0,00 deg
ry	0,00 deg
rz	0,00 deg

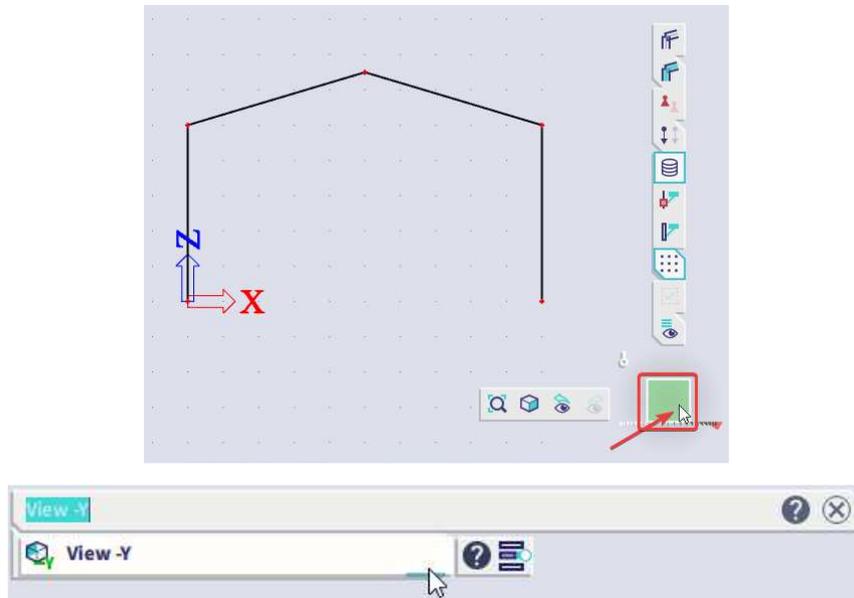
Because you enabled the upper right option right after you click 'OK' a new window appears to choose a cross-section which is going to be applied to the additional members. Click on the manage option next to the cross-section property and add another IPE 100 for the purlins.



- **Add supports:**

We are going to select all the nodes with $Z=0$ to add supports on them. There are a few ways to do this quickly:

-Click on one side of the Navicube or type 'view -y' in the SCIA Spotlight

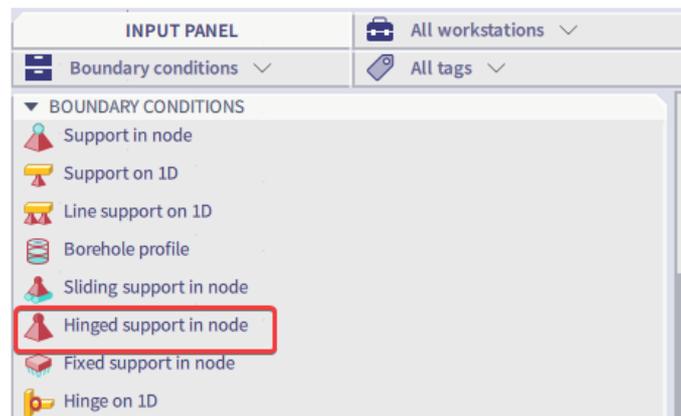


You now have a side view of the structure which makes it easy to drag from left to right to only select the nodes on the bottom.

-Select just one node with a z-coordinate equal to '0,00'. In the property panel you can then right click on the coordinate and expand selection to all nodes with the same z-coordinate:



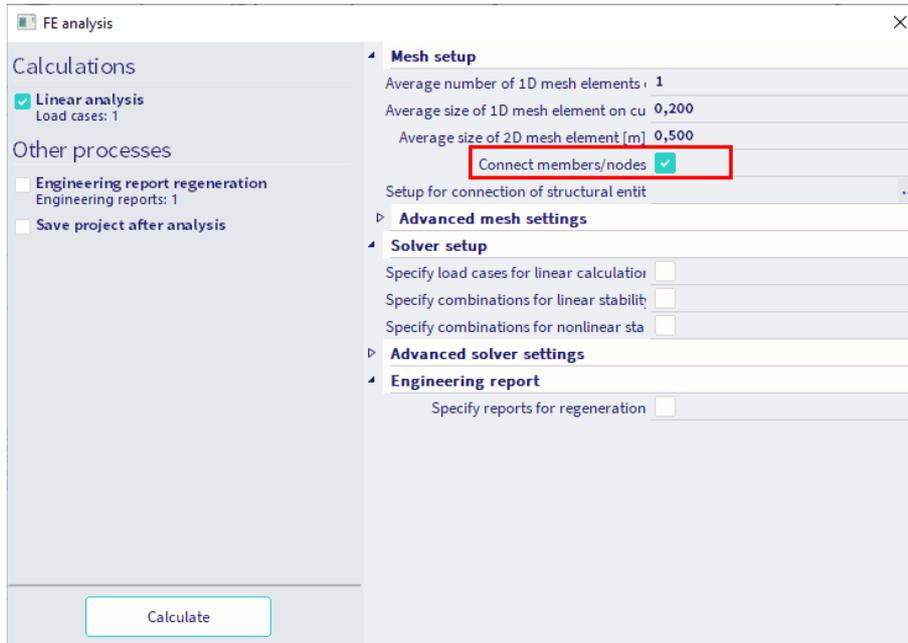
When you used one of the above methods to select the correct node you can add a hinged support by filtering the category of the Input Panel to 'Boundary conditions' and choosing 'Hinged support in node':



2. Actions after the input of the geometry

- Tools > **Check structure**
- Edit > Modify > Connect members/nodes
Or you can simply type “Connect members/nodes” in the SCIA Spotlight. Note that you can do this action both for a selection or the whole structure (select nothing to do the latter).

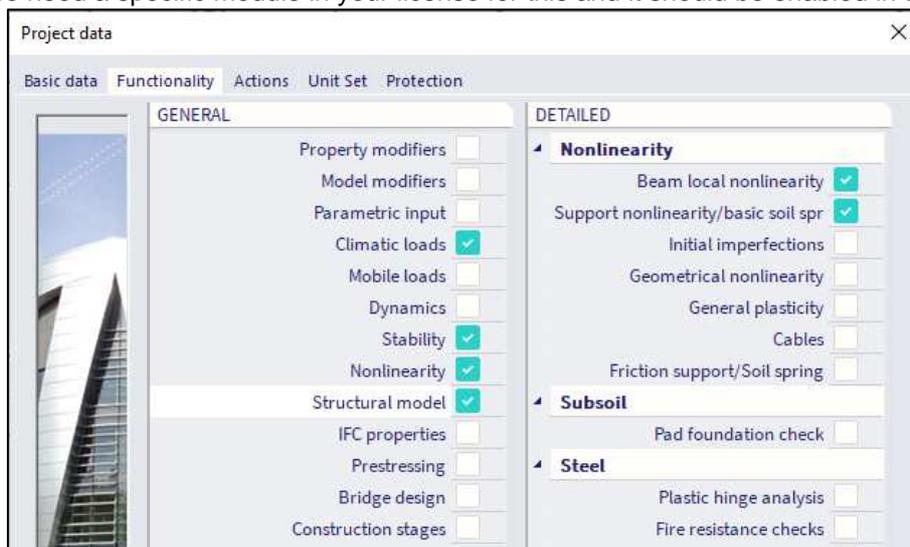
Note: connecting the elements is done by default when you perform a calculation:



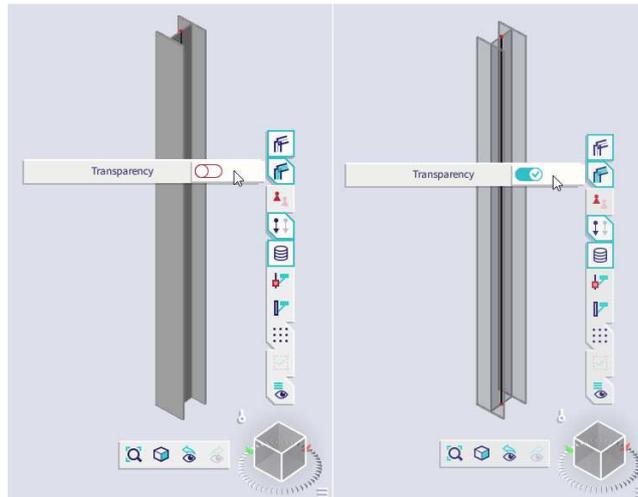
3. Structural model

The structural model is used to make a better representation of the analytical model. It is also necessary when you input steel connections, reinforcement anchoring etc.

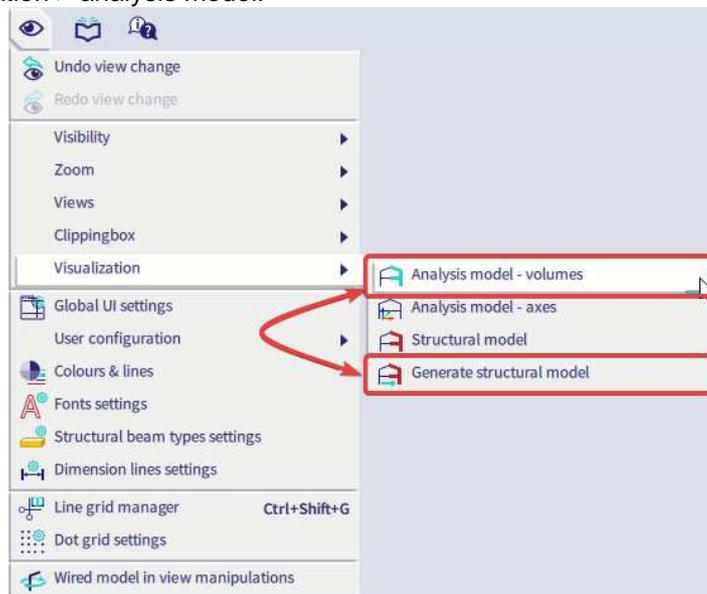
- You can visualize this representation by going to view > visualization > structural model.
You also need a specific module in your license for this and it should be enabled in the project data:



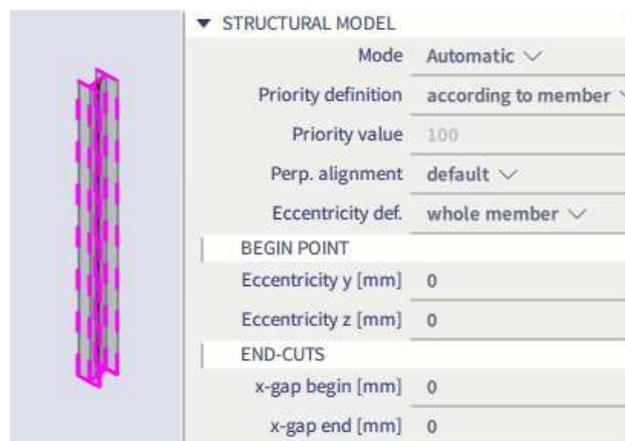
- We provided shortcuts in the view toolbar to show both volumes and rendering (with possible transparency):



- You can switch back to the representation of the analytical model by going to: View > visualization > analysis model.

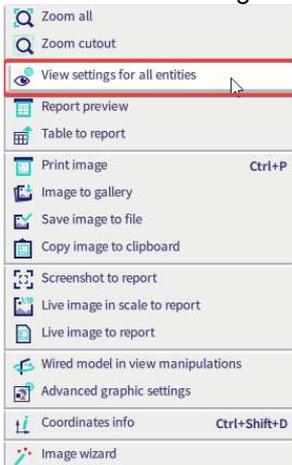


Attention: everything that is set in the structural model is not taken into account in the calculation. Therefore we provided a separated part in the property panel for these kind of settings:

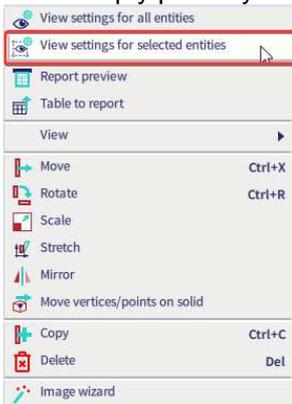


4. Display of screen

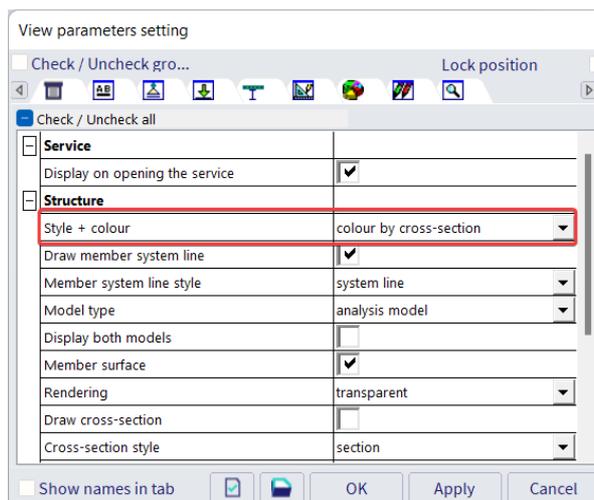
- View settings can be changed for all elements in a project by right clicking on an empty part of your screen and choosing:



- View settings can be changed for a selection of elements by selecting those elements, right clicking on an empty part of your screen and choosing:



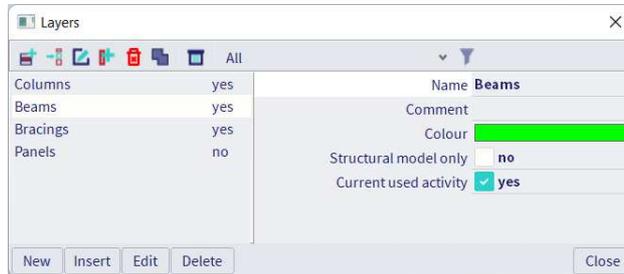
The above settings allow you to change the color by cross-section to give you a nice overview of which elements have a different cross-section:



5. Activity and visibility

- **Activity by layers**

Layers can be added from the layer manager if you go to libraries > layers:



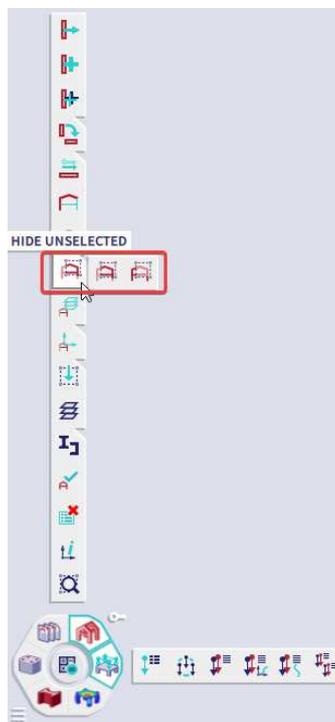
For each layer there are two options available:

- « Structural model only » : if this option is enabled for a certain layer, none of the elements in this layer will be taken into account in the calculation.
- « Current used activity » : if this option is disabled, the elements in this layer are hidden from the display but still present in the calculation.

For the last option to have effect, the visibility by layer should be active from view > visibility > by layers.

- **Activity by selection**

Apart from using the layers to show certain elements in your model you can also switch to activity by selection. Simply select the elements you want to show/hide and choose for one of the below options in the process toolbar:

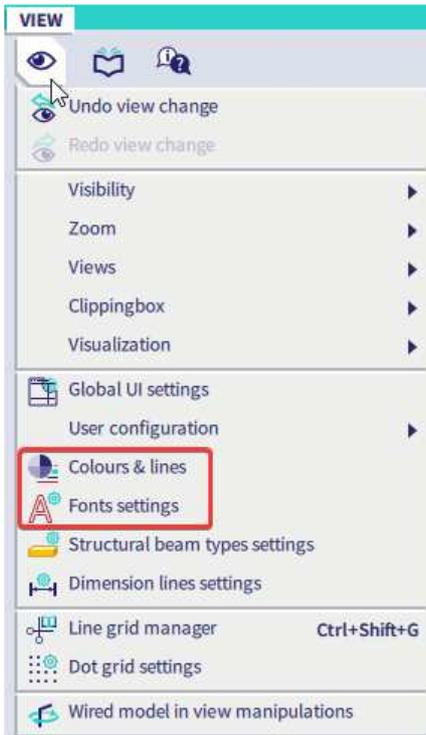


The toggle switch and the draw invisible members icon can be used to show all elements again or to draw elements in a light color when they're hidden:



- **Colors, lines and fonts**

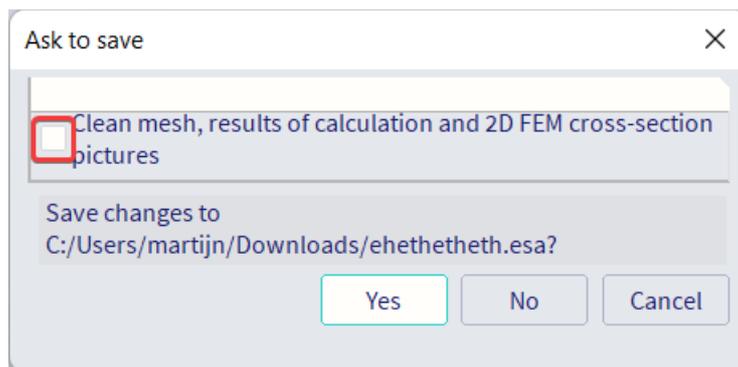
Besides what you see you can also change about every color and line type of what you see in the graphical display by going to view > colors & lines/Font settings:



6. Saving a file

You can save a file by going to file > save/save as.

If you close the file a pop-up window will always be shown to ask if you want to save before closing. In this window you have the option to delete mesh and results of both calculation and cross-section properties:

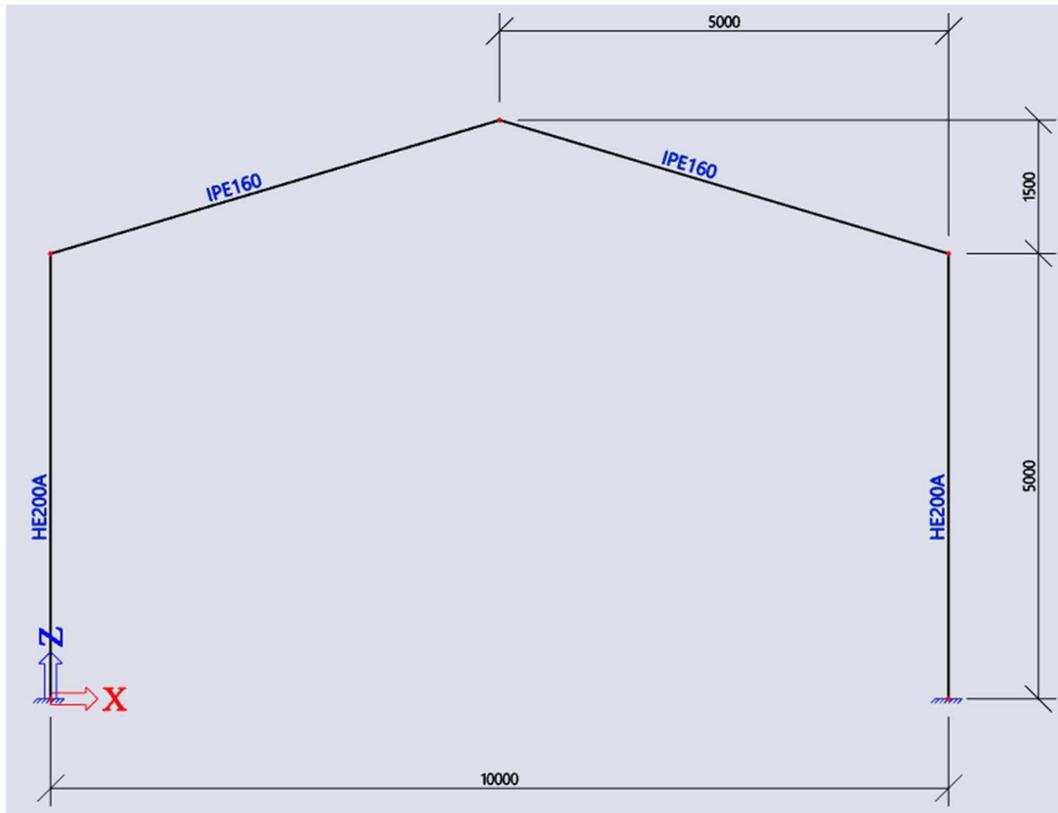


This will significantly reduce the file size, but the project needs to be recalculated after it was saved with this option enabled.

Example 3b: Hall

1. Input of the geometry

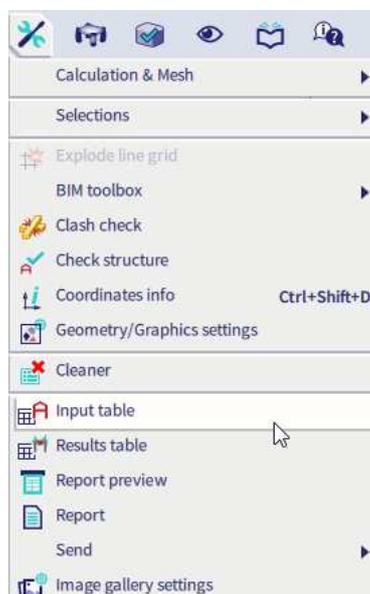
- **Project data** : Frame XYZ – Steel S 235



- Insert the first frame of the hall as shown in example 2.

2. Input table

The table input allows you to numerically introduce or edit project data. Numerical data can also be handled simply by a Copy/Paste from SCIA Engineer into Excel and vice versa. You can show the table input by going to Tools > Input Table



Name	Type	Beg. n...	End node	Cross-section	Lengt...	Layer	LCS Ro...	Meml
1 S1	column (100)	K1	K2	CS1 - HE200A	5,000	Laag1	0,00	Centr
2 S2	beam (80)	K2	K3	CS2 - IPE160	5,220	Laag1	0,00	Centr
3 S3	beam (80)	K4	K3	CS2 - IPE160	5,220	Laag1	0,00	Centr
4 S4	column (100)	K5	K4	CS1 - HE200A	5,000	Laag1	0,00	Centr

This table contains all different elements in the project with their properties in the columns. You can edit the properties from the input panel by simply typing a new value or string in the cell of the property you want to change. You can also create new elements from the table input by copying the row of an existing element.

Note:

At the top of the table input you can change between a matrix of the structural elements, the loads and the library items:

Name	Type	Beg. n...	End node	Cross-section	Lengt...	Layer	LCS Ro...	Meml
1 S1	column (100)	K1	K2	CS1 - HE200A	5,000	Laag1	0,00	Centr
2 S2	beam (80)	K2	K3	CS2 - IPE160	5,220	Laag1	0,00	Centr
3 S3	beam (80)	K4	K3	CS2 - IPE160	5,220	Laag1	0,00	Centr
4 S4	column (100)	K5	K4	CS1 - HE200A	5,000	Laag1	0,00	Centr

On the bottom of the table input you can find icons for the different type of elements in SCIA. If you miss a certain element type or want to remove one from the table input simply right click on the bottom line and select which items you want to view:

Name	Type	Beg. n ...	End node	Cross-section	length...	Layer	LCS Ro...	Memb ...	ey [mm]	ez [mm]
1 B1	column (100)	N1	N2	CS1	5,000	Layer1	0,00	Centre	0	0
2 B4	column (100)	N5	N4	CS1	5,000	Layer1	0,00	Centre	0	0
3 B2	beam (80)	N2	N3	CS1	5,220	Layer1	0,00	Centre	0	0
4 B3	beam (80)	N4	N3	CS1	5,220	Layer1	0,00	Centre	0	0

3. Copy with the input table

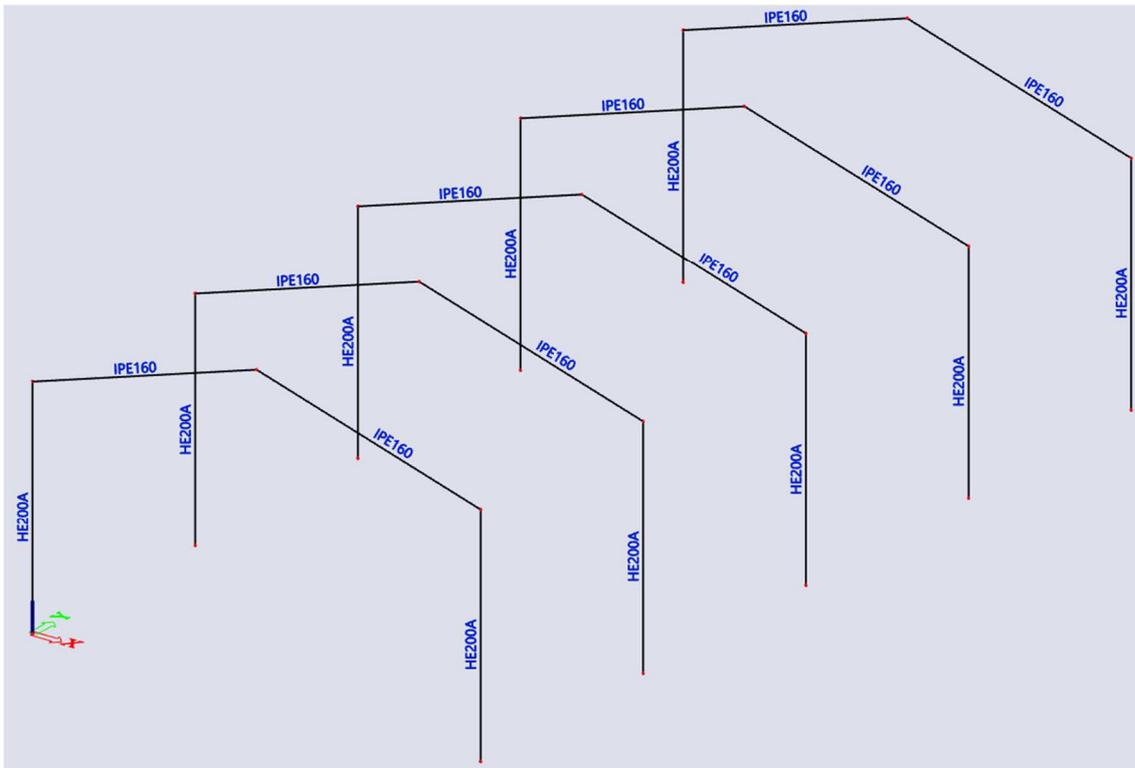
- Select the 4 elements which take part of the frame by clicking on the row number and holding SHIFT
- In the command line enter the vector along which you want to copy the frames: @0 5 0
- Click on the copy icon in the table input 

With these steps we have created a second frame.

INPUT TABLE										
Name	Type	Beg. n...	End ...	Cross-section	Lengt...	Layer	LCS Ro...	Meml		
1	S1	column (100)	K1	K2	CS1 - HE200A	5,000	Laag1	0,00	Centr	
2	S2	beam (80)	K2	K3	CS2 - IPE160	5,220	Laag1	0,00	Centr	
3	S3	beam (80)	K4	K3	CS2 - IPE160	5,220	Laag1	0,00	Centr	
4	S4	column (100)	K5	K4	CS1 - HE200A	5,000	Laag1	0,00	Centr	

Repeat the above but with steps of 5m for the vector:

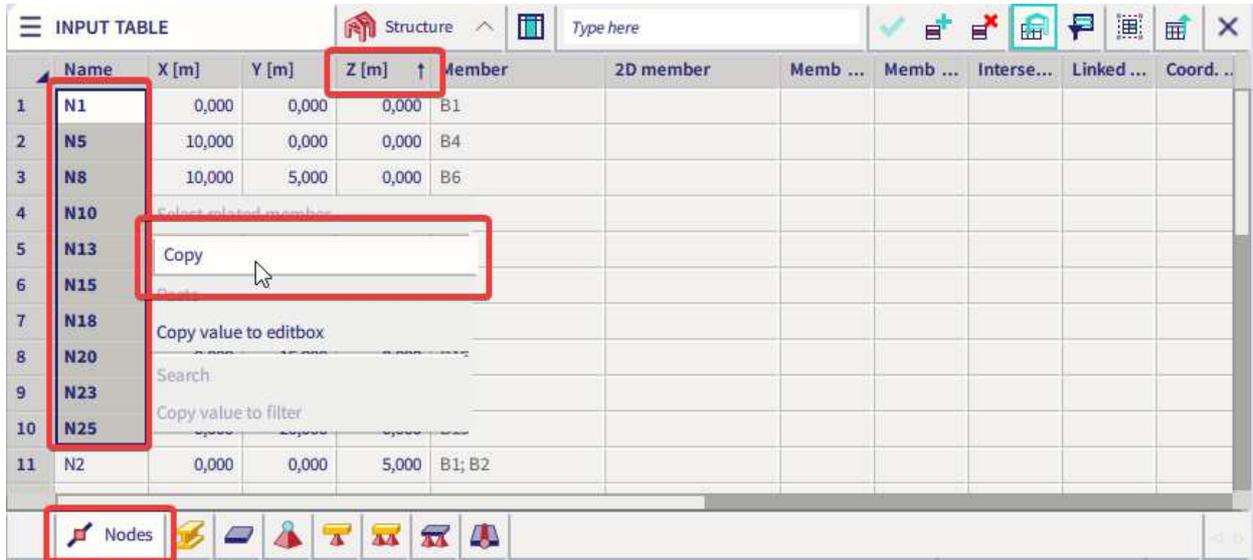
- @ 0 10 0 for the 3rd frame
- @ 0 15 0 for the 4th frame
- @ 0 20 0 for the 5th frame



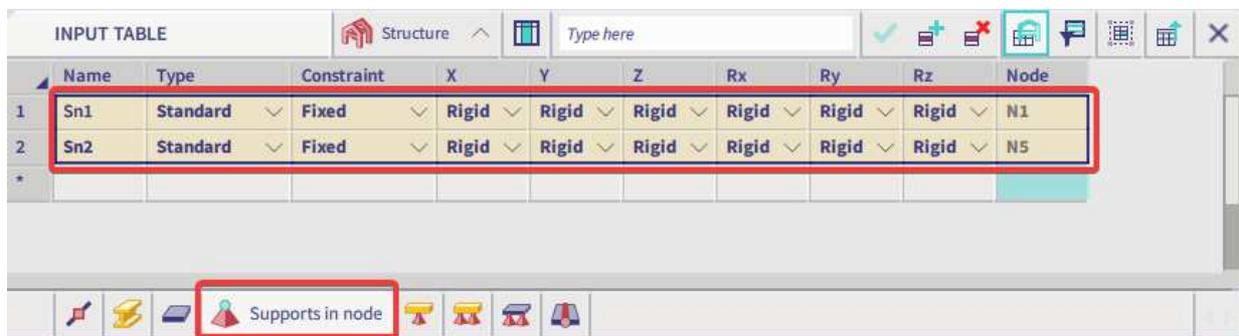
4. Add model data to the project with the input table

We are now going to add supports on our frame with a little help of the input table

- We are going to sort the table on Z-coordinate by clicking on the column name for this coordinate
Note: if you don't see the nodes in the input table you can add it by right clicking on the bottom line
- Select all the cells with the name of the nodes with a Z-coordinate equal to zero.
- Copy the above selected cells
- Paste these cells in a new Excel sheet.



- There should already be 2 supports in your model from example 2. Copy all these cells and again past them in an excel sheet.



- Your excel sheet could look something like this:

	A	B	C	D	E	F	G	H	I	J	K	L
1	Name		Name	Type	Constraint	X	Y	Z	Rx	Ry	Rz	Node
2	N1		Sn1	Standard	Fixed	Rigid	Rigid	Rigid	Rigid	Rigid	Rigid	N1
3	N5		Sn2	Standard	Fixed	Rigid	Rigid	Rigid	Rigid	Rigid	Rigid	N5
4	N8											
5	N10											
6	N13											
7	N15											
8	N18											
9	N20											
10	N23											
11	N25											

- Now copy the rows of the cells describing the supports until you have 10 rows in total. Replace the Node names with the node names you also pasted in the sheet:

Name	Name	Type	Constraint	X	Y	Z	Rx	Ry	Rz	Node
N1	Sn1	Standard	Fixed	Rigid	Rigid	Rigid	Rigid	Rigid	Rigid	N1
N5	Sn2	Standard	Fixed	Rigid	Rigid	Rigid	Rigid	Rigid	Rigid	N5
N8	Sn3	Standard	Fixed	Rigid	Rigid	Rigid	Rigid	Rigid	Rigid	N8
N10	Sn4	Standard	Fixed	Rigid	Rigid	Rigid	Rigid	Rigid	Rigid	N10
N13	Sn5	Standard	Fixed	Rigid	Rigid	Rigid	Rigid	Rigid	Rigid	N13
N15	Sn6	Standard	Fixed	Rigid	Rigid	Rigid	Rigid	Rigid	Rigid	N15
N18	Sn7	Standard	Fixed	Rigid	Rigid	Rigid	Rigid	Rigid	Rigid	N18
N20	Sn8	Standard	Fixed	Rigid	Rigid	Rigid	Rigid	Rigid	Rigid	N20
N23	Sn9	Standard	Fixed	Rigid	Rigid	Rigid	Rigid	Rigid	Rigid	N23
N25	Sn10	Standard	Fixed	Rigid	Rigid	Rigid	Rigid	Rigid	Rigid	N25

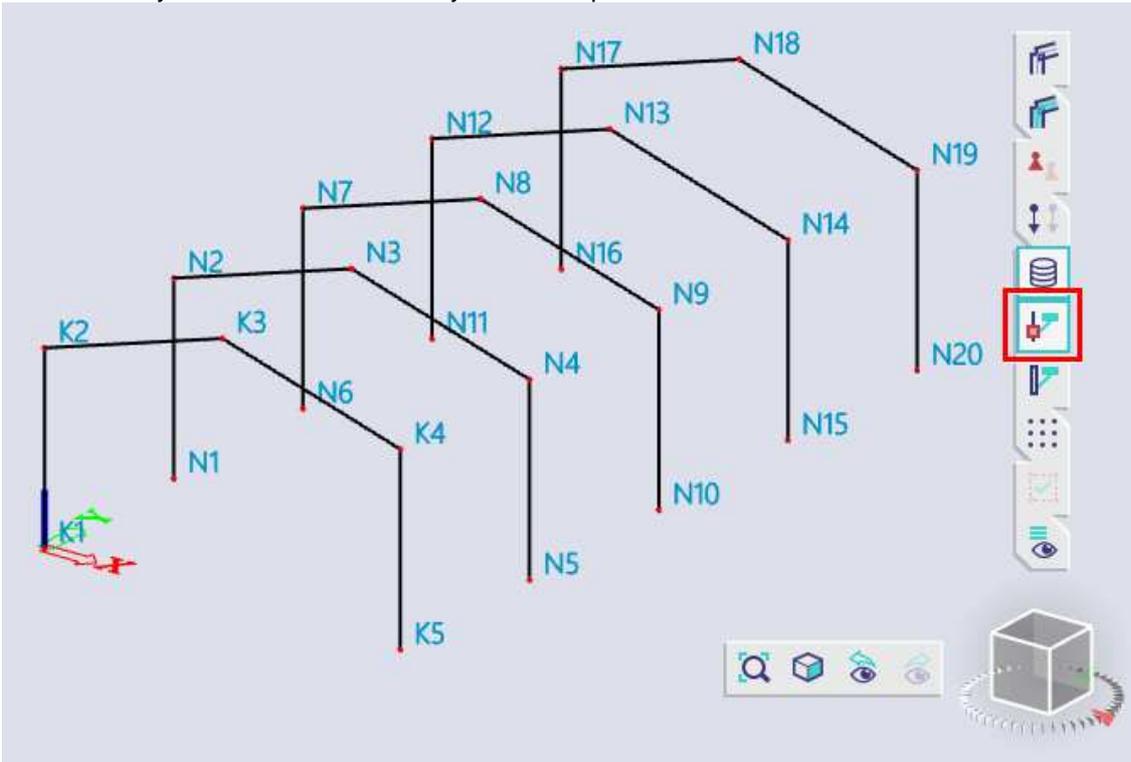
- Copy all the cells with support properties from excel and paste them in the support tab of the input table in Scia:

Name	Type	Constraint	X	Y	Z	Rx	Ry	Rz	Node
1	Sn1	Standard	Fixed	Rigid	Rigid	Rigid	Rigid	Rigid	N1
2	Sn2	Standard	Fixed	Rigid	Rigid	Rigid	Rigid	Rigid	N5
3	Sn3	Standard	Fixed	Rigid	Rigid	Rigid	Rigid	Rigid	N8
4	Sn4	Standard	Fixed	Rigid	Rigid	Rigid	Rigid	Rigid	N10
5	Sn5	Standard	Fixed	Rigid	Rigid	Rigid	Rigid	Rigid	N13
6	Sn6	Standard	Fixed	Rigid	Rigid	Rigid	Rigid	Rigid	N15
7	Sn7	Standard	Fixed	Rigid	Rigid	Rigid	Rigid	Rigid	N18
8	Sn8	Standard	Fixed	Rigid	Rigid	Rigid	Rigid	Rigid	N20
9	Sn9	Standard	Fixed	Rigid	Rigid	Rigid	Rigid	Rigid	N23
10	Sn10	Standard	Fixed	Rigid	Rigid	Rigid	Rigid	Rigid	N25

- Still in the table input, try to create a new element in the 1D elements tab. Fill in a begin node and an end node. Scia will then automatically create a new element with a random cross-section in the library. You can change it from the table input by clicking on the drop down menu. Assign a IPE100 cross-section:

Name	Type	Beg. n ...	End node	Cross-section	Length..	
16	B12	beam (80)	N14	N12	CS2 - IPE160	5,22
17	B13	beam (80)	N16	N17	CS2 - IPE160	5,22
18	B16	beam (80)	N19	N17	CS2 - IPE160	5,22
19	B17	beam (80)	N21	N22	CS2 - IPE160	5,22
20	B20	beam (80)	N24	N22	CS2 - IPE160	5,22
21	B21	beam (80)	N2	N6	CS3 - IPE100	5,00

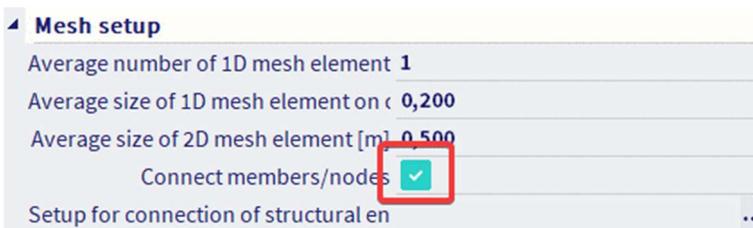
- Insert the remaining edge beams by using the same approach. To know what node names you should enter you can show them easily with this option near the Navicube:



5. Actions after the input of the geometry.

- Tools > Check structure
- Edit > Modify > Connect members/nodes
Or simply write "Connect members/nodes" in the SCIA Spotlight

Note: members are automatically connected when the below option is enabled in the mesh settings:

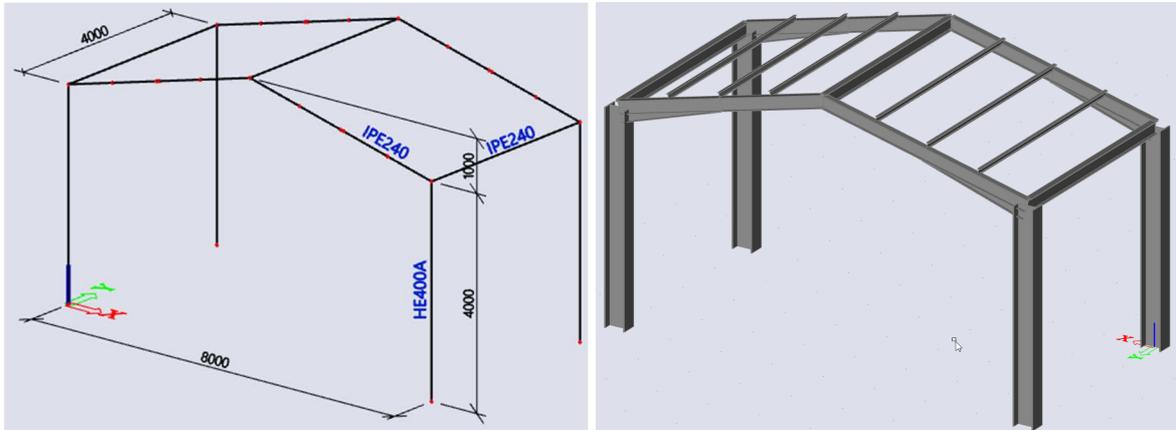


Example 4: Purlins

1. Input of the geometry



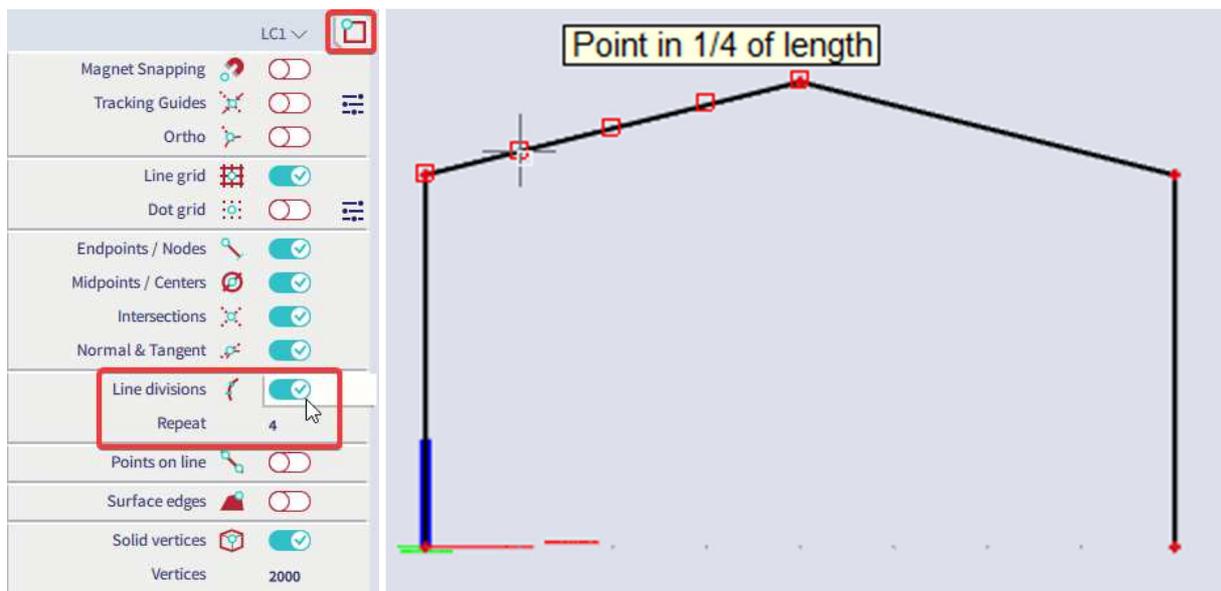
- **Project data:** Frame XYZ - Steel S 235 – Purlins IPE100



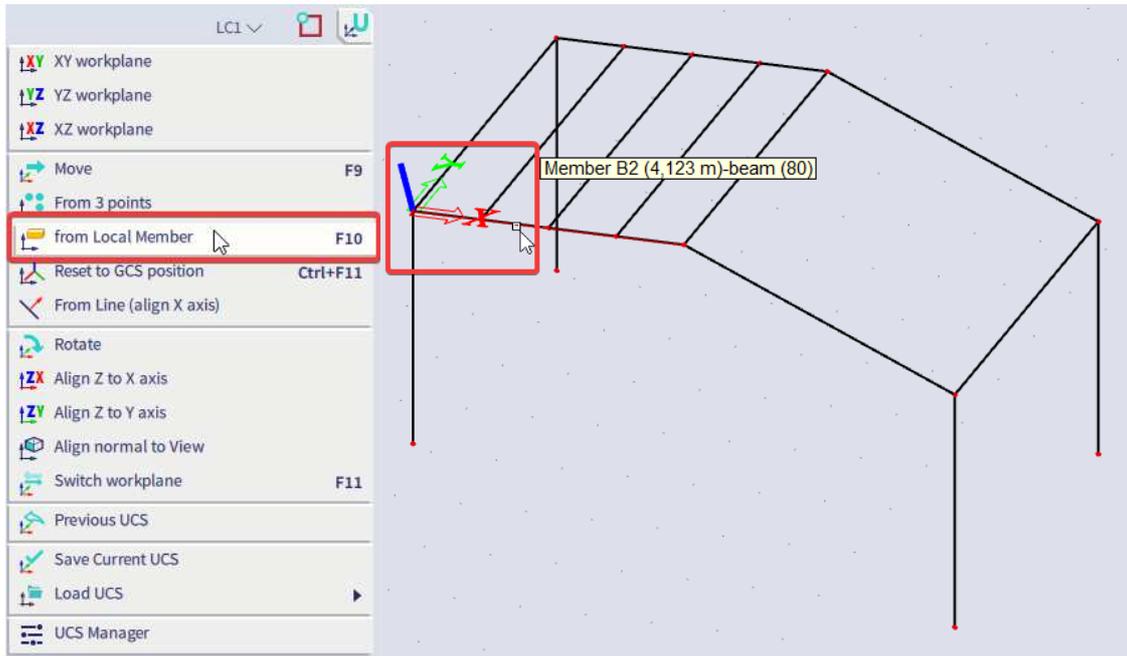
- **Input of purlins:**

- Enter the purlins on the left part of the roof

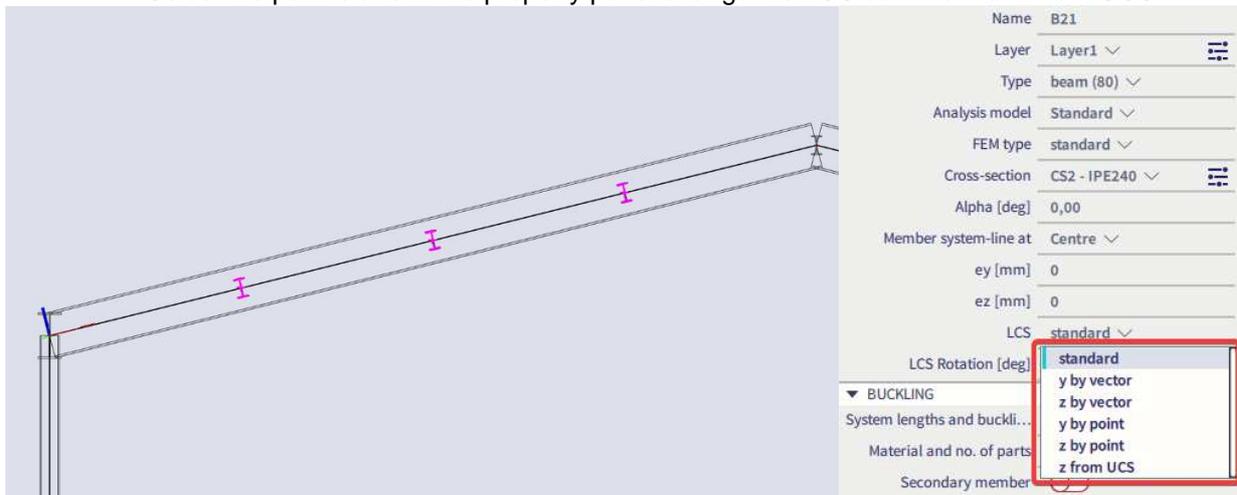
At the top right of your screen click on “Snapping” and make sure the option “Line divisions” is enabled. Fill in a value of “4” to divide every line element into 4 equal parts:



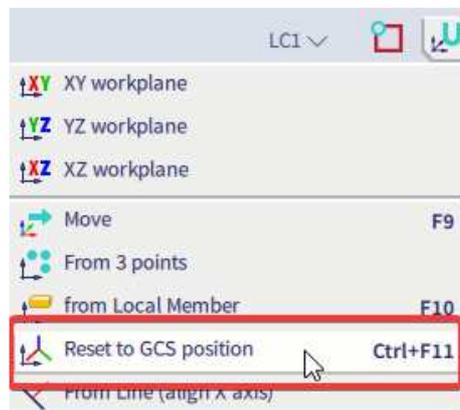
- We are going to rotate the purlins so that their LCS Z-directions points in the same direction as the LCS of the frame beams.
First, change the orientation of the UCS by choosing “From local member” in the Coordinate system settings and select a beam of the main frame:



- Select the purlins and in the property panel change the LCS definition to “z from UCS”:

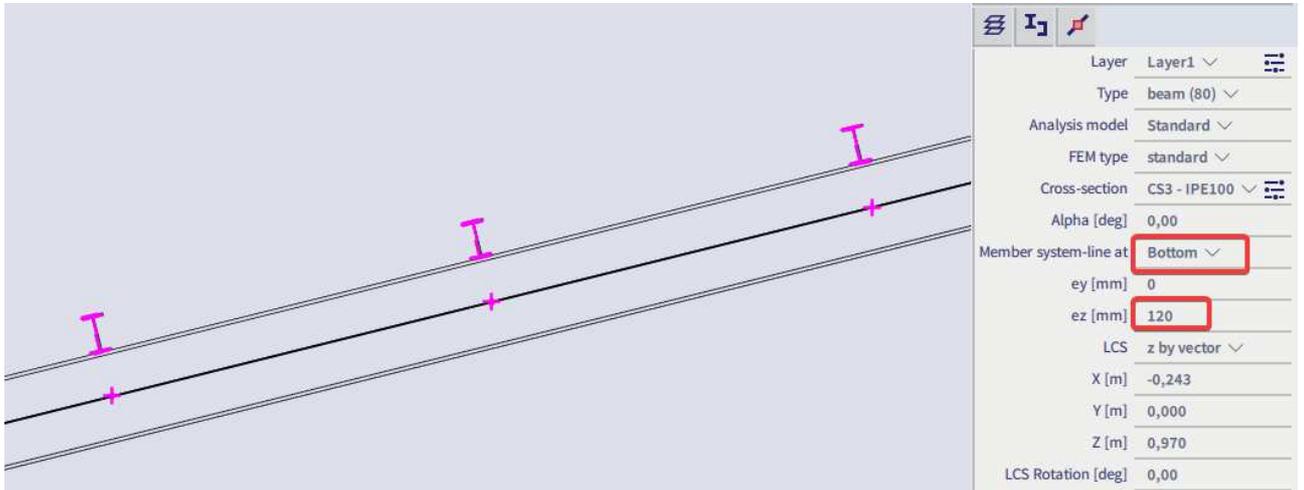


- Reset the UCS back to its original position by choosing “Reset to GCS position” from the coordinate system settings:



- **Input of eccentricity:**

- Select the purlins.
- Change member system line to “bottom”
- Change z eccentricity to 120mm (half of the main beams).



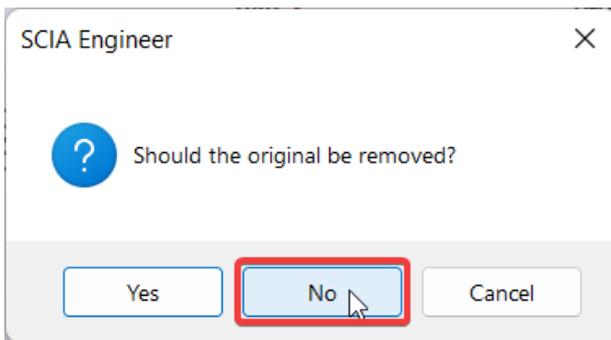
- **Copy the purlins to the other side of the roof**

Select the 3 purlins on the left side of the roof and choose the mirror option in the process toolbar



Or go to Edit > Modify > Mirror

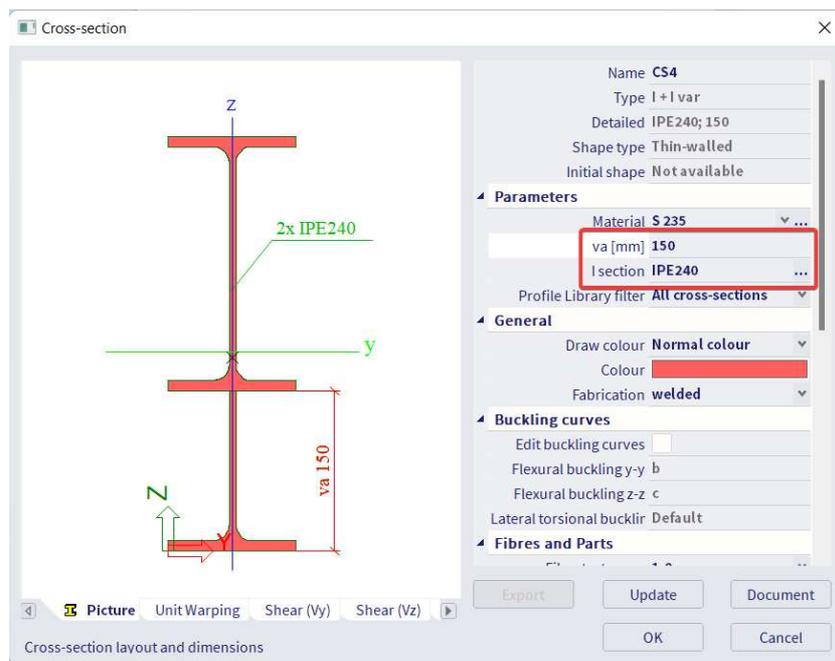
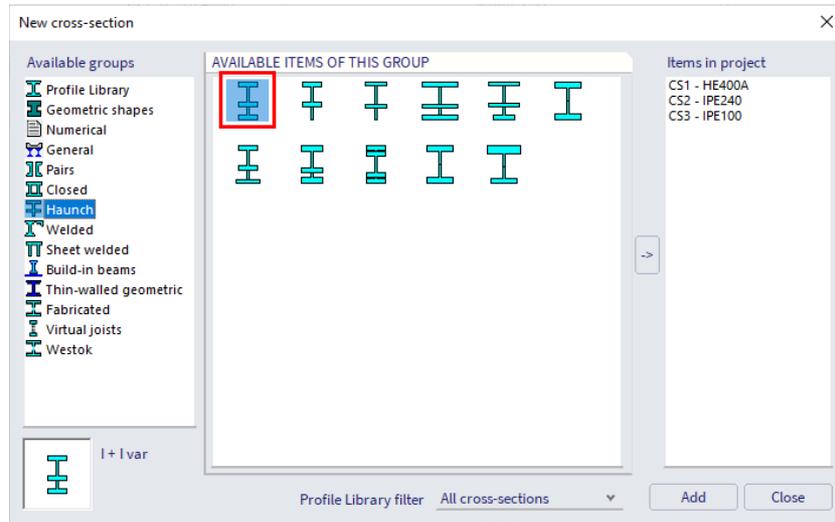
Draw a mirror plane by clicking on the two top nodes of the roof and click on “No” when the window shown below appears:



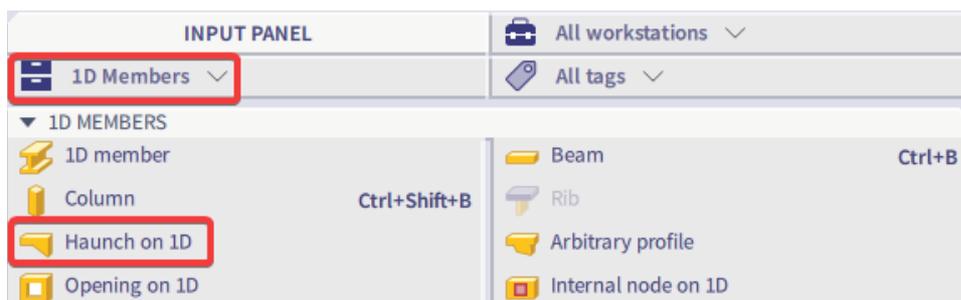
- **Input of haunch**

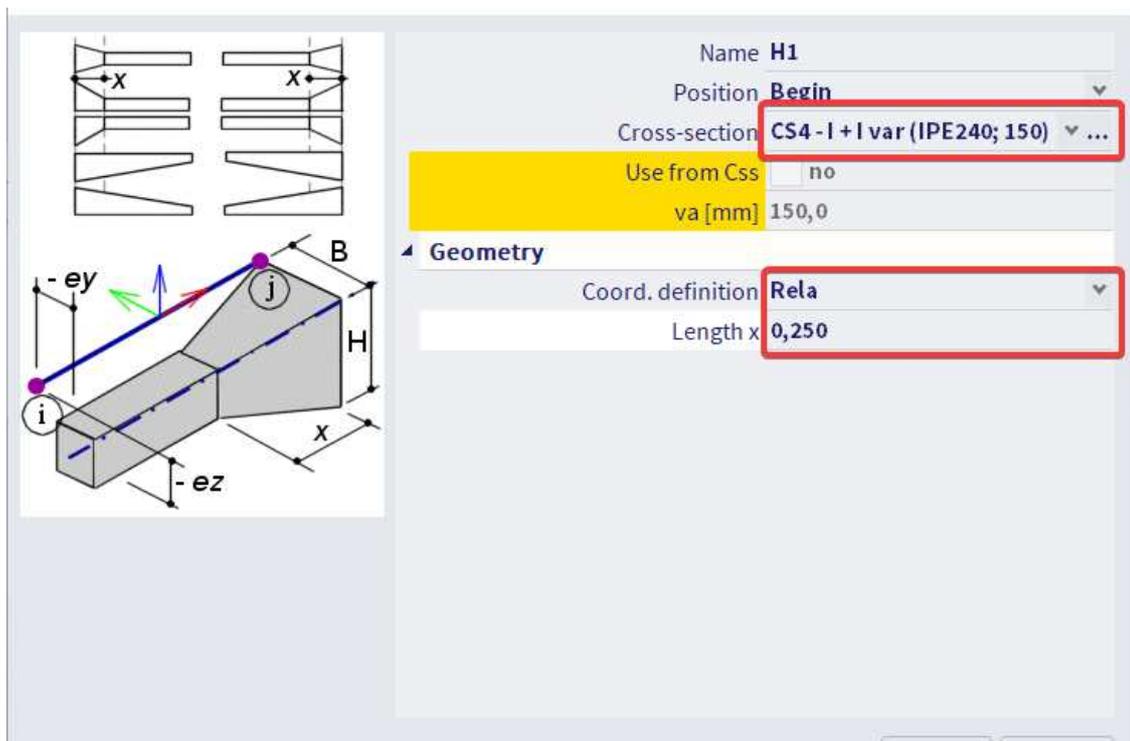
First approach

We need a new cross-section which defines the haunch first. Go to the cross-section library and under “Haunch” choose for the first type:

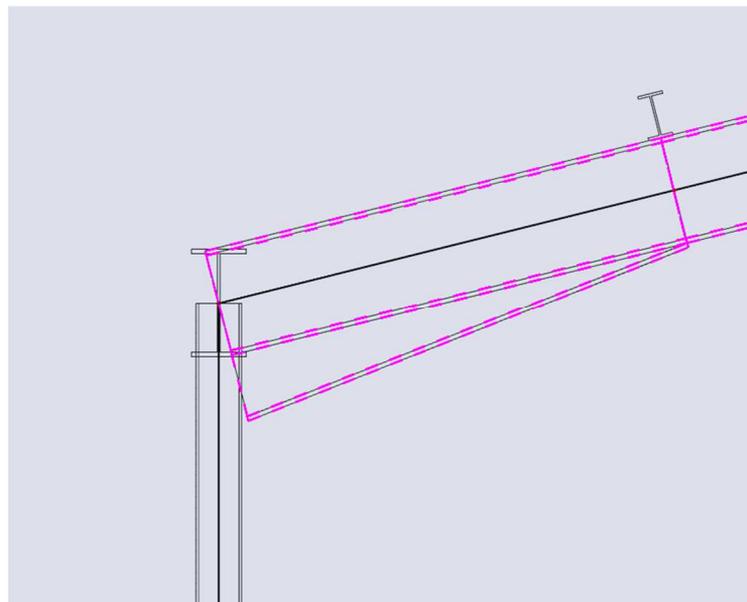


Now go to the input panel, filter category on 1D members and choose for “Haunch on 1D”:





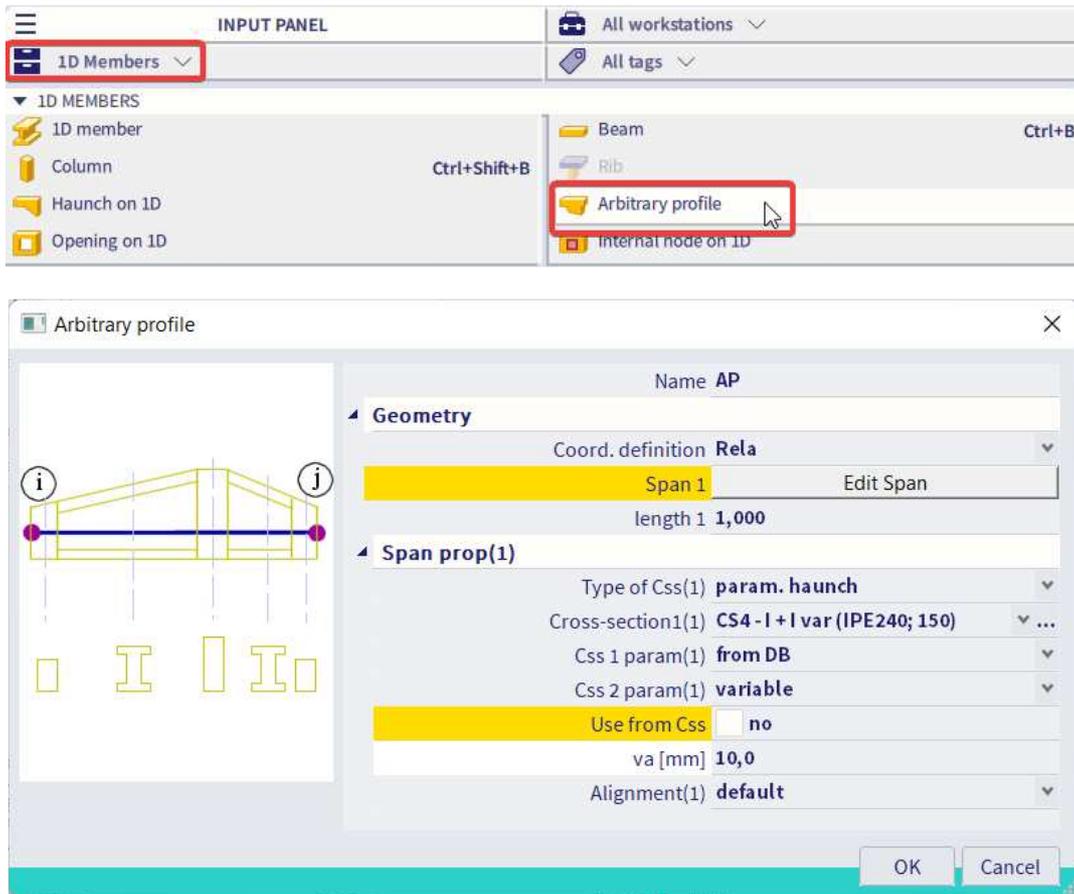
And click on the element where you want to add the haunch on, the beams of the frame in our case:



Note that a haunch is some additional data attached to a certain 1D element. If you want to select the haunch, always show the volumes and click on the haunch itself. If you select the system line the 1D member itself will be selected. Haunch data can also be copied to other elements: select the haunch, right click, choose "copy add data" and select the items where you want to add the same haunch on.

2nd approach

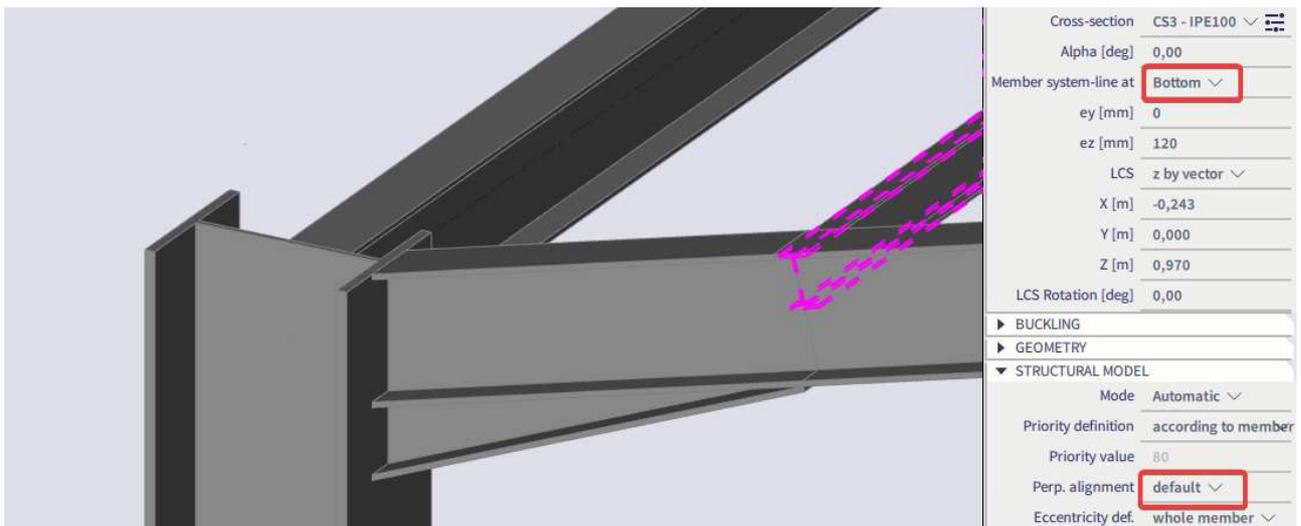
Go to the input panel, filter category to “1D member” and choose for “arbitrary profile”:



2. Structural model

Go to the main menu and choose for View > Visualization > Generate structural model

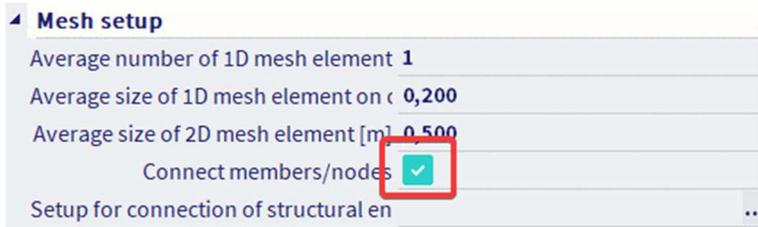
Note that the eccentricities for the analysis model and the structural model are separate settings.



3. Actions after the input of the geometry.

- Tools > Check structure
- Edit > Modify > Connect members/nodes
Or simply write “Connect members/nodes” in the SCIA Spotlight

Note: members are automatically connected when the below option is enabled in the mesh settings:



Example 5: Bridge

1. Input of geometry

- **Project data:** Frame XZ – Steel S 235 – Concrete C25/30

Project data

Basic data Functionality Actions Unit Set Protection

DATA

Name: -

Part: -

Description: -

Author: -

Date: 29/01/2024

Structure: Frame XZ

MATERIAL

Concrete

Material: C25/30

Reinforcement m: B 500B

Steel

Material: S 235

Masonry

Aluminium

Timber

Steel fibre concrete

Other

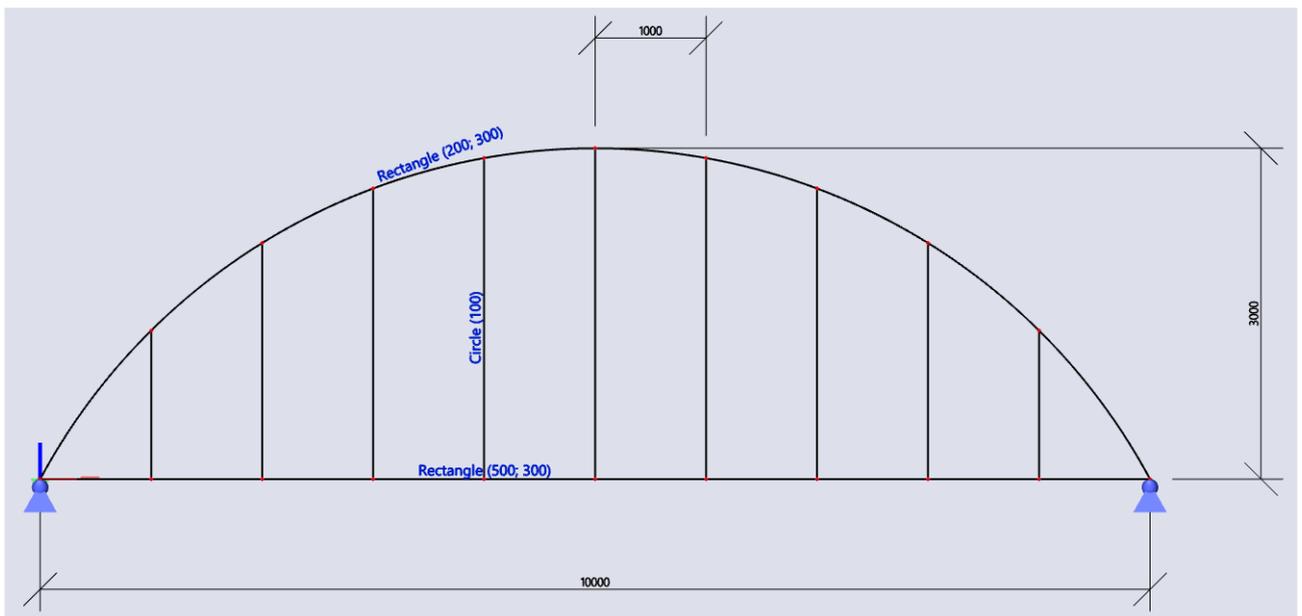
CODE

National Code: EC - EN

National annex: Standard EN

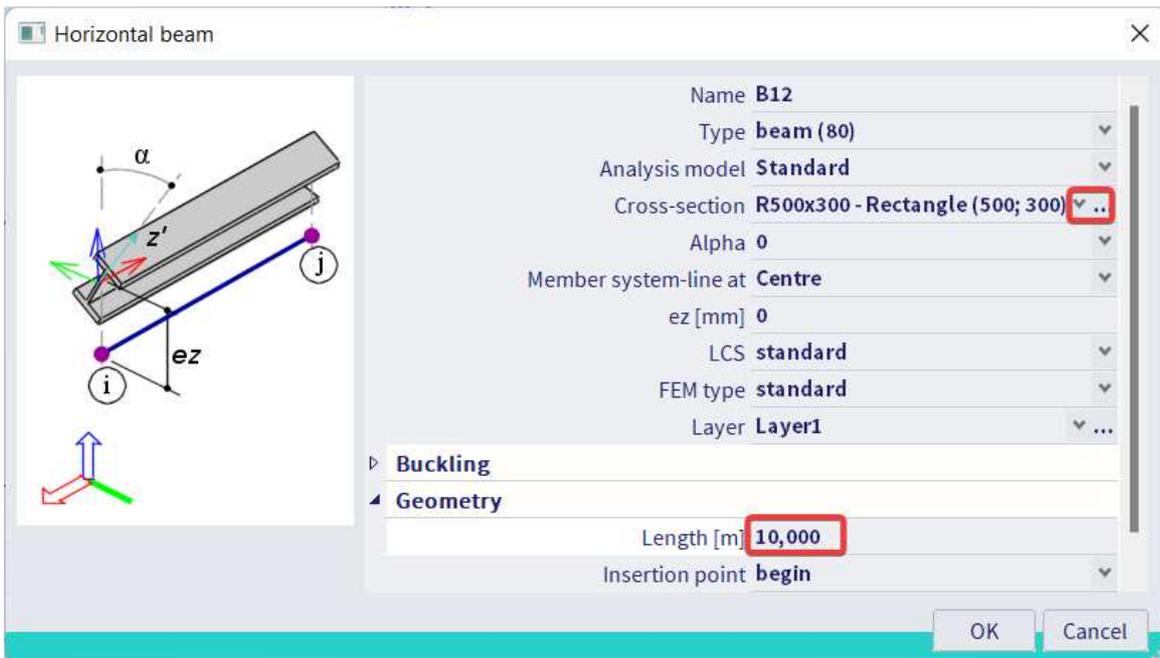
OK Cancel

- **Geometry:**



- **Input a straight beam**

Filter the Input Panel workstation to “Structure” and under 1D members choose for “Beam”:

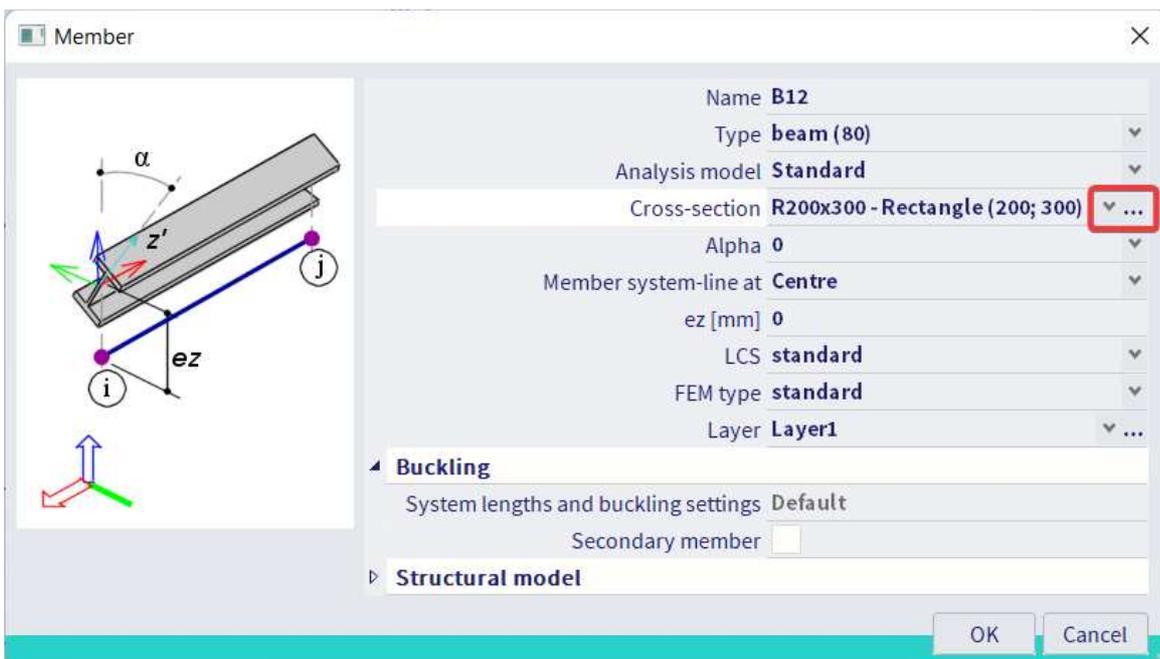


In this window you can also directly define a new rectangular cross-section by clicking on the three dots next to the cross-section dropdown menu.

Close the window by clicking on “OK” and input the beam in the origin by entering “0 0” in the SCIA Spotlight. End the action with ESC.

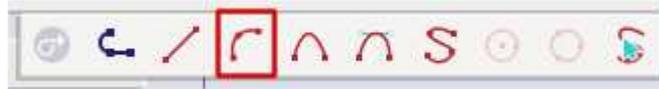
- **Input a curved beam**

Filter the Input Panel workstation to “Structure” and under 1D members choose for “1D member”:



In this window you can also directly define a new rectangular cross-section by clicking on the three dots next to the cross-section dropdown menu.

After closing the above window by clicking on “OK” below the SCIA Spotlight some additional option should appear which let you decide the shape of the element that you are going to input. In this case choose for a circular arc defined by three points:

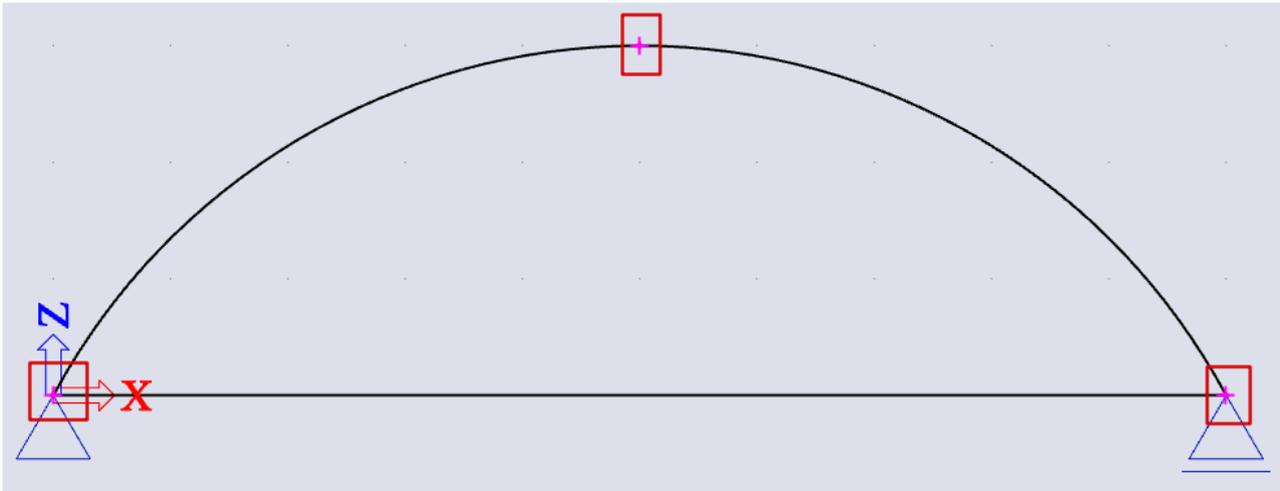


Afterwards you can insert the coordinates of this arc in the SCIA:

1st point: 0 0 (or click on the left node of the rectangle (500;300))

2nd point: 5 3

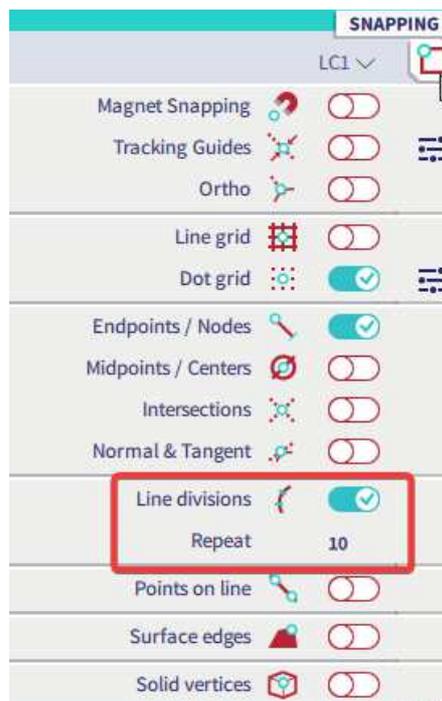
3rd point: 10 0 (or click in the right node of the rectangle (500;300))



- **Input the vertical elements:**

In the status bar you can go to “Snapping” and enable “line divisions”.

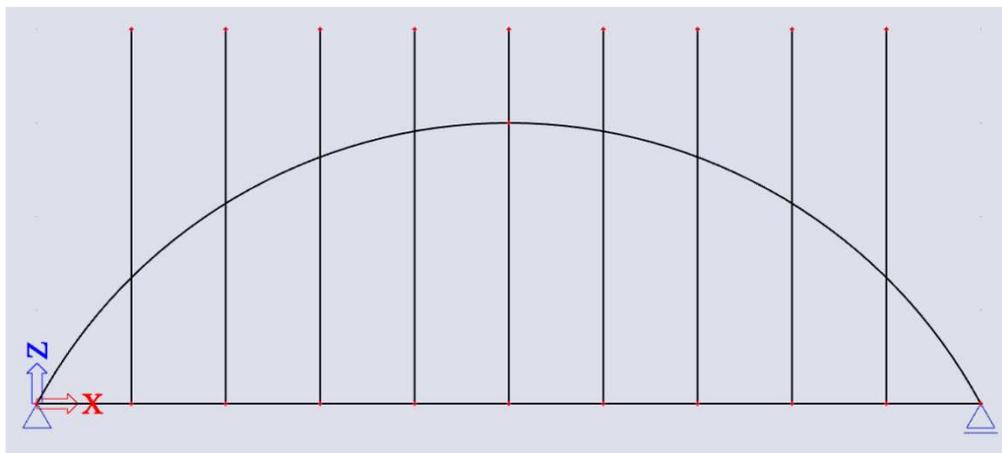
This allows you to have a snap point after each 10th of any element with the below settings:



Filter the Input Panel workstation to “Structure” and under 1D members choose for “Column”:



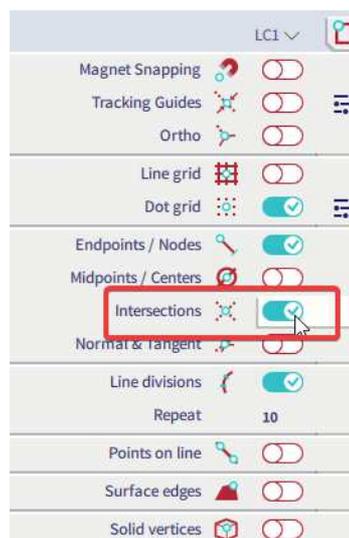
Define a circular cross-section from this window, define a length of 4m and close the window by clicking on “OK”. Now you can use the previous enabled snap settings to add 9 columns because the straight beam was now divided in 10 equal pieces to snap to.



Now we are going to change the height of these vertical elements so that they match with the curved beam.

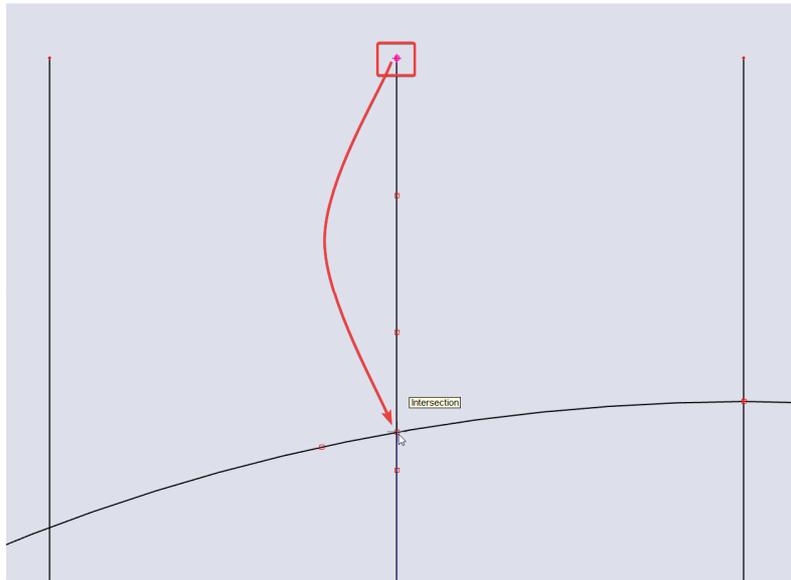
1st method

- Enable the intersections snap in the snap settings:



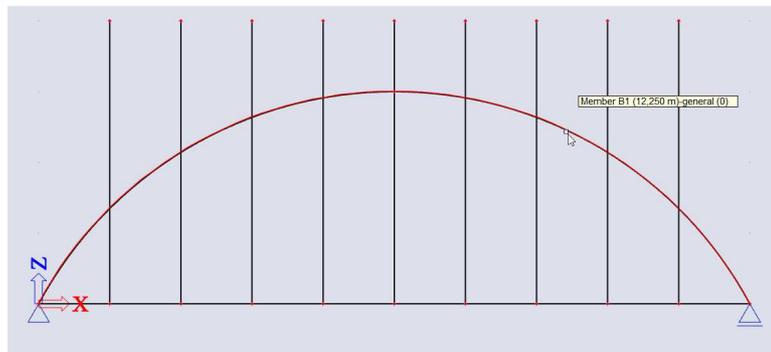
- Select the top node of a column.
- Drag the node with the left mouse button to the intersection with the curved beam.

This has to be done for each individual node because the lengths of the columns differ:

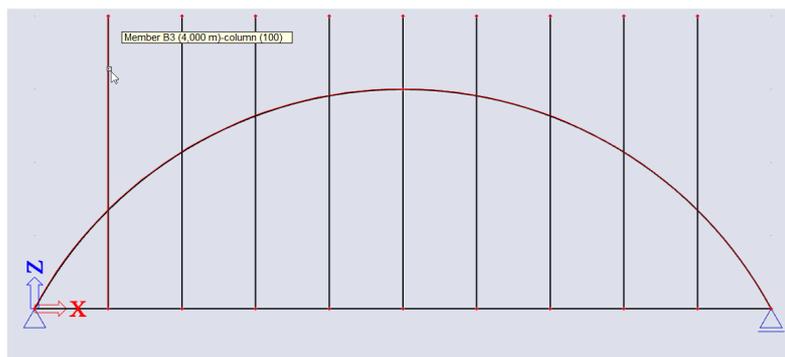


2nd method

- In the main menu go to “Edit” > “Modify” > Trim
- Select the curved beam and end with ESC:



- Select each column individually above the curved beam, this is the part that is going to be subtracted:



2. From 2D to 3D

Go to “File” > “Project Settings” and change “Structure” from “Frame XZ” to “Frame XYZ”

- **Copy 2D bridge**

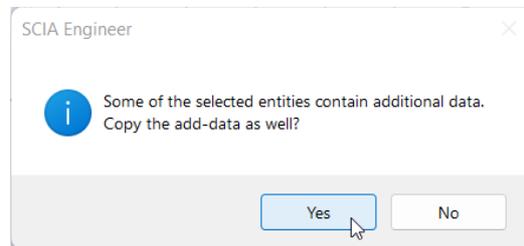
Select the whole (CTRL+A) structure and press CTRL+C to copy.

Select some node of the bridge and enter the below:



Note that by entering “@” before the coordinates you actually define a vector so it doesn’t matter from which point you start the copy.

Next a message will appear with the question whether you want to copy additional data as well. In this case this is about the supports so you can click “Yes”:



- **General XYZ**

If we would want to add a 2D bridge deck now you will see this is not possible as there is no such option in the input table:



The reason is because in the project data we choose for “Frame XYZ” instead of “General XYZ”.

Go to “File” > “Project Settings” and change “Structure” from “Frame XYZ” to “General XYZ”.

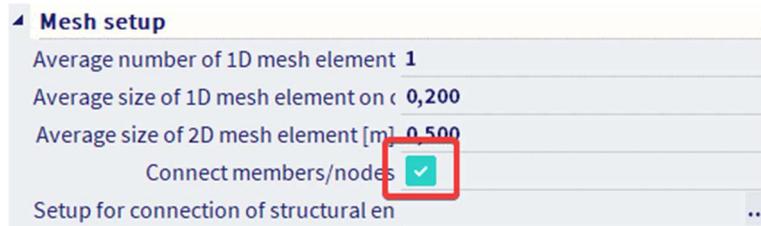
Now you will have options in the input panel to also define 2D elements:



3. Actions after the input of the geometry

- Tools > Check structure
- Edit > Modify > Connect members/nodes
Or simply write "Connect members/nodes" in the SCIA Spotlight

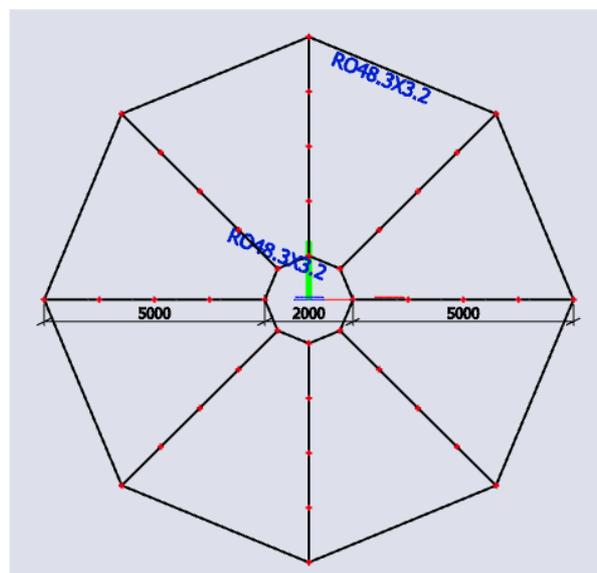
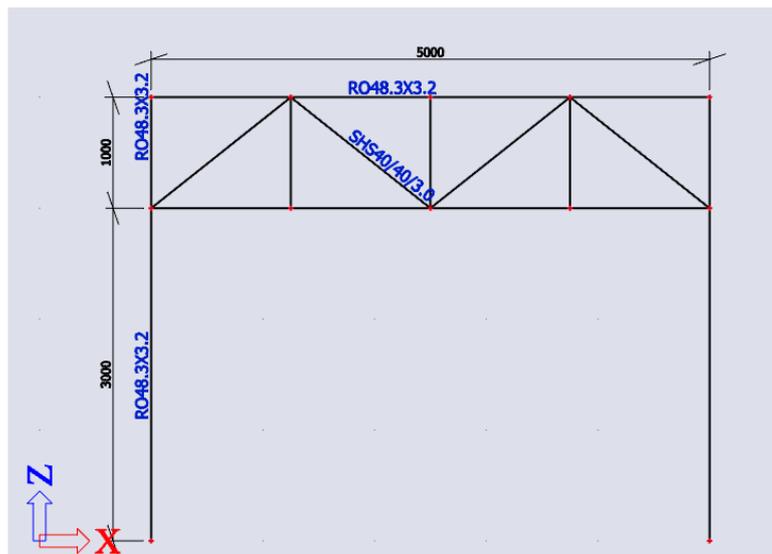
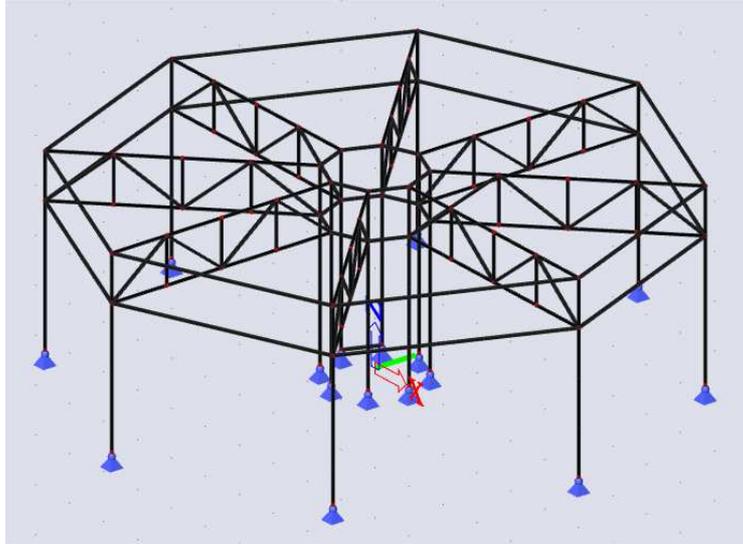
Note: members are automatically connected when the below option is enabled in the mesh settings:



Example 6: Carrousel

1. Input of geometry

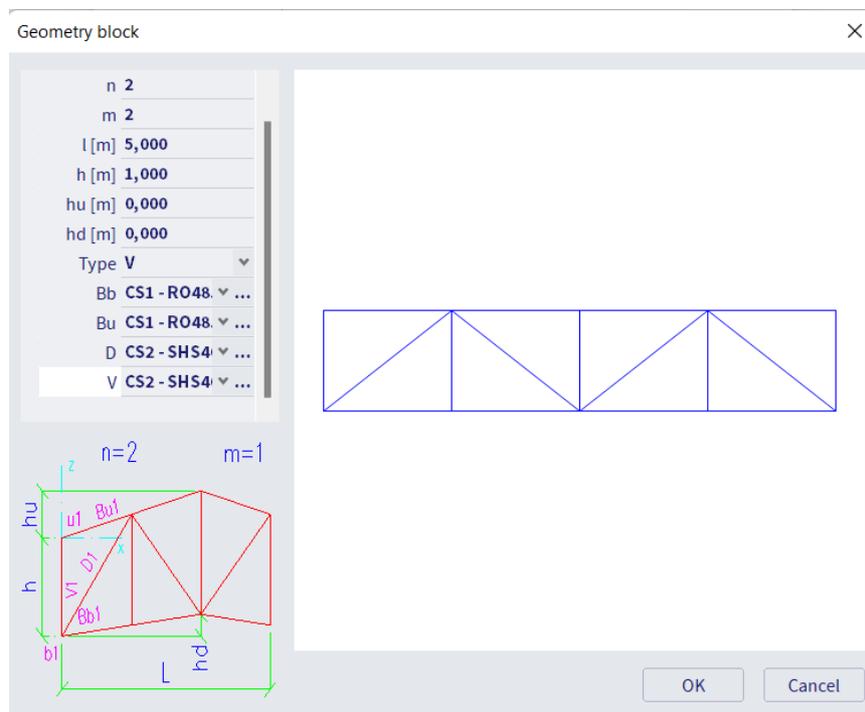
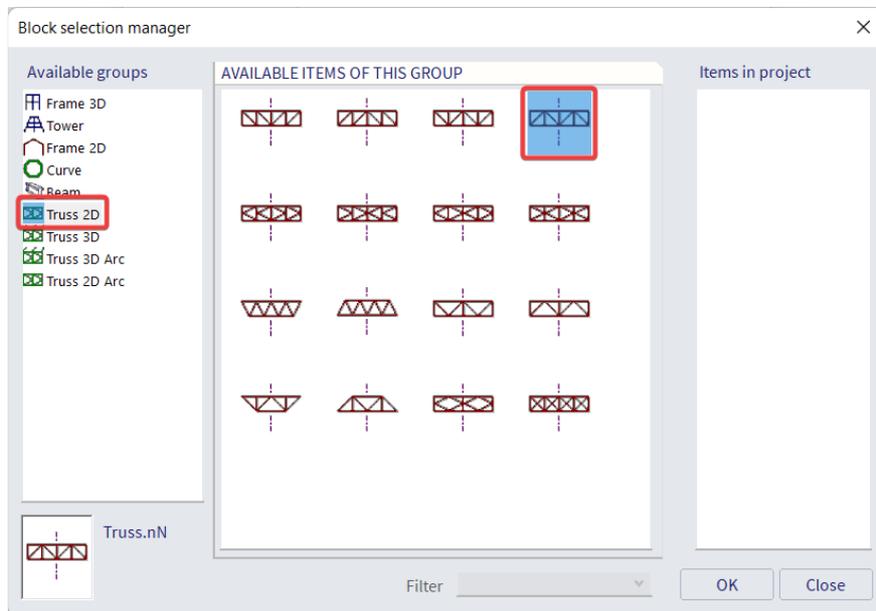
- **Project data:** Frame XYZ – Steel S 235



- **Input of a single frame**

Filter the Input Panel workstation to “Structure” and under 1D members choose for “Column”.
Enter a column of height 4m with cross-section RO48.3x3.2 on starting points “1 0 0” and “6 0 0”.

Filter the Input Panel workstation to “Structure” and under import & blocks choose for “Catalog blocks”.
Choose the below template and change the values as shown below:

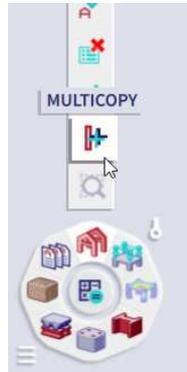


We are going to use the same cross-section for the whole cross-section.
Close the windows with “OK” and enter the truss on coordinates 1 0 5.

2. Manipulations

- **Multicopy**

Select all the elements (CTRL+A) and in the process toolbar in the structure branch choose for “Multicopy”:



In the window that pops up fill in the below values:

DISTANCE VECTOR		HOW TO DEFINE THE DISTANCE ?	
Define distance by cursor	<input type="checkbox"/>	<input checked="" type="radio"/> between two copies	
x	0,000 m	<input type="radio"/> from original to the last copy	
y	0,000 m	HOW TO DEFINE THE ROTATION ?	
z	0,000 m	<input type="radio"/> between two copies	
ROTATION		<input checked="" type="radio"/> from original to the last copy	
rx	0,00 deg	ROTATION AROUND	
ry	0,00 deg	<input checked="" type="radio"/> current UCS	
rz	360,00 deg	<input type="radio"/> distance vector	

Number of copies: 8

Connect selected nodes with new beams:

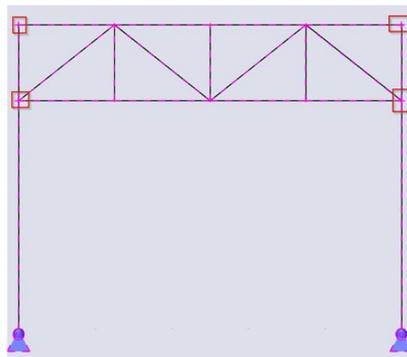
Copy additional data:

Insert the very last copy:

OK Cancel

In case you enabled “Connect selected nodes with new beams” after clicking “OK” a new window will open which allows you to define a cross-section for the automatically generated connection beams.

Note: in the first step of the multicopy we selected all the elements in the model, so now all nodes between the copies will be connected with a beam. If we only wanted to connect the nodes from the truss we had to select all the 1D elements, but only the nodes that are part of the frame:



2. Actions after the input of the geometry

- Tools > Check structure
- Edit > Modify > Connect members/nodes
Or simply write "Connect members/nodes" in the SCIA Spotlight

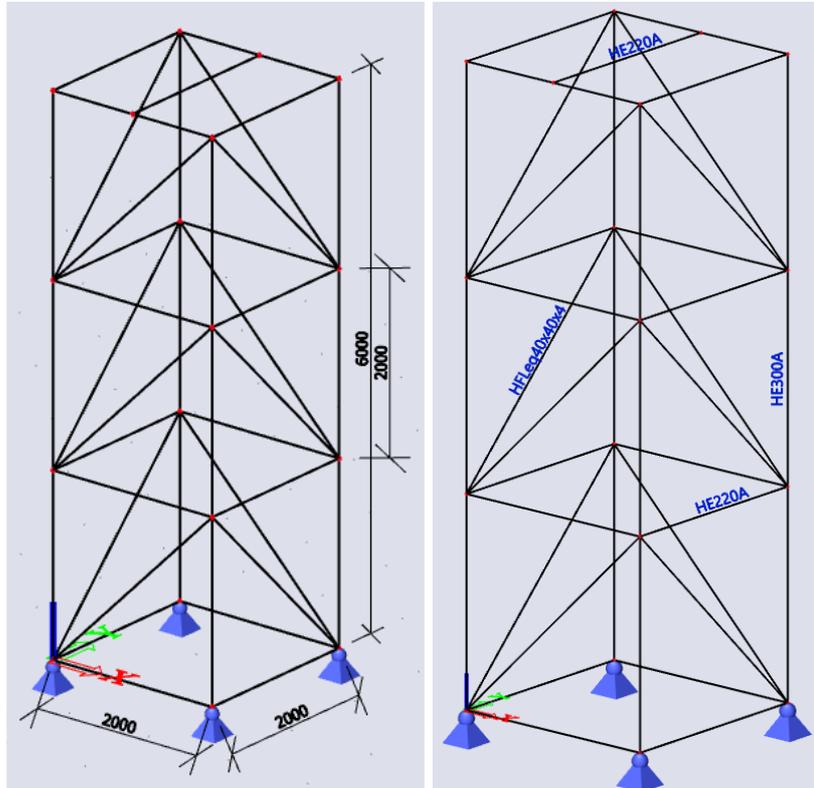
Note: members are automatically connected when the below option is enabled in the mesh settings:



Example 7: Bearing frame

1. Input of geometry

- **Project data:** General XYZ – Steel S 235



- **Use of the line grid**

Go to the input panel and under Grids & Stories choose for “3D line grid”, fill in the values shown below:

3D Line grid

Input data Drawing setup

DIR X [M]				
Type	Name	X [m]	dx [m]	Rep
1	A	0,000		no
2	B	2,000	2,000	1
*		0,000	0,000	0

DIR Y [M]				
Type	Name	Y [m]	dy [m]	Rep
1	1	0,000		no
2	2	2,000	2,000	1
*		0,000	0,000	0

DIR Z [M]				
Type	Name	Z [m]	dz [m]	Rep
1	a	0,000		no
2	b	2,000	2,000	3
3	c	4,000		no
4	d	6,000		no
*		0,000	0,000	0

Generate name automatically

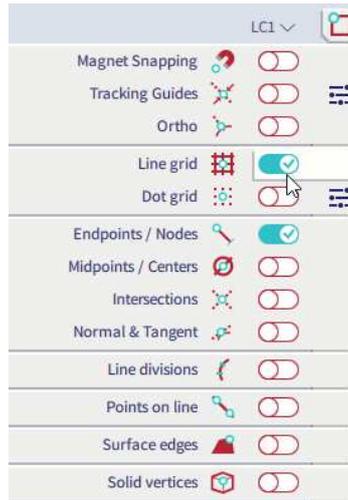
Rotation 0,00 deg Refresh names

Name Grid1 Type Cartesian

OK Cancel Apply

Click on “OK” and enter the grid in the origin so that the grid dimensions fall in line with the coordinates in Scia. Enter “0 0 0” in the SCIA spotlight. End with ESC.

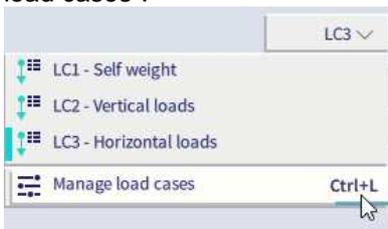
In the snap settings make sure the line grid is enabled:



Use the grid to draw the structure as shown on the first page.

2. Loads

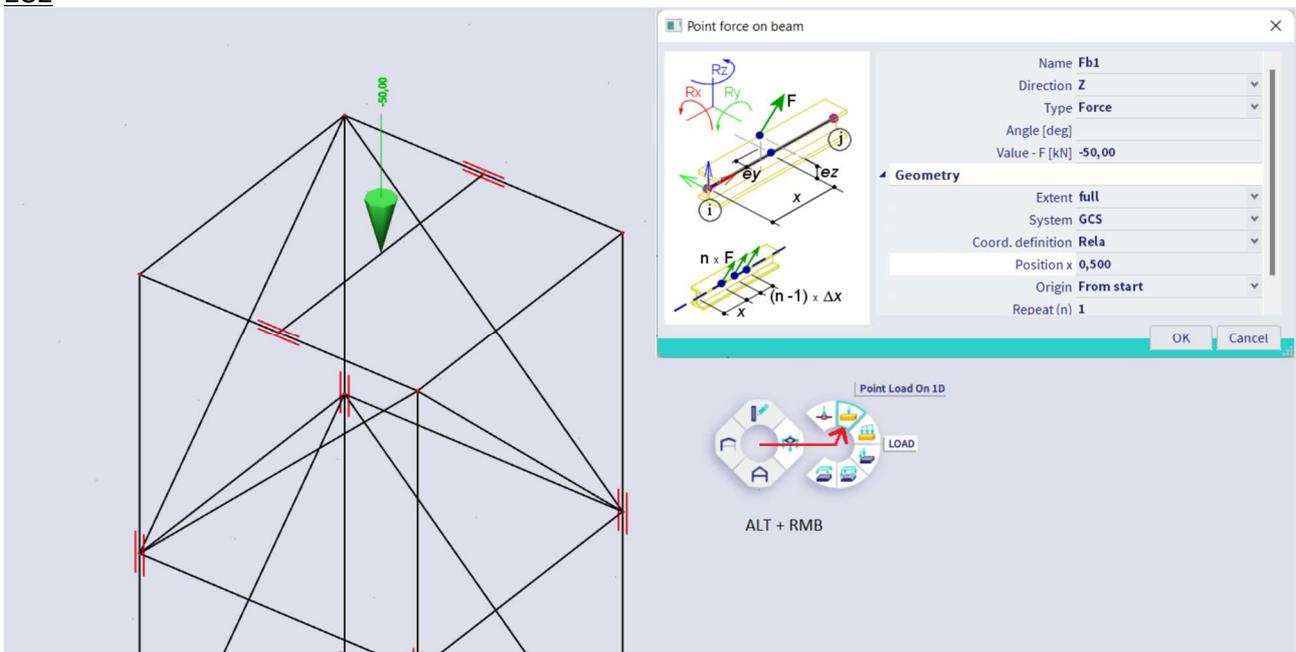
Enter the below load cases by going to the loads dropdown menu in the status bar and clicking on “Manage load cases”.



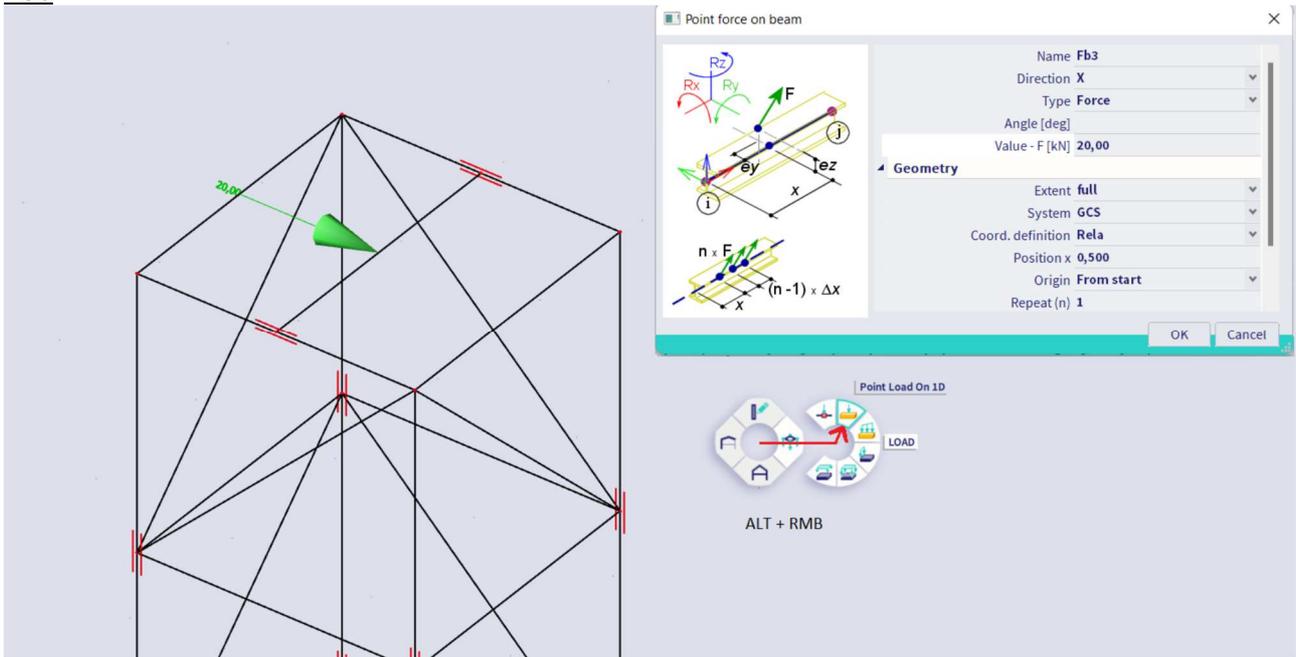
- LC1: Self weight (is automatically created)
- LC2: Vertical loads (Variable)
- LC3: Horizontal loads (Variable)

You can now switch between the load cases in the dropdown menu and enter the below loads on the upper transfer beam:

LC2



LC3



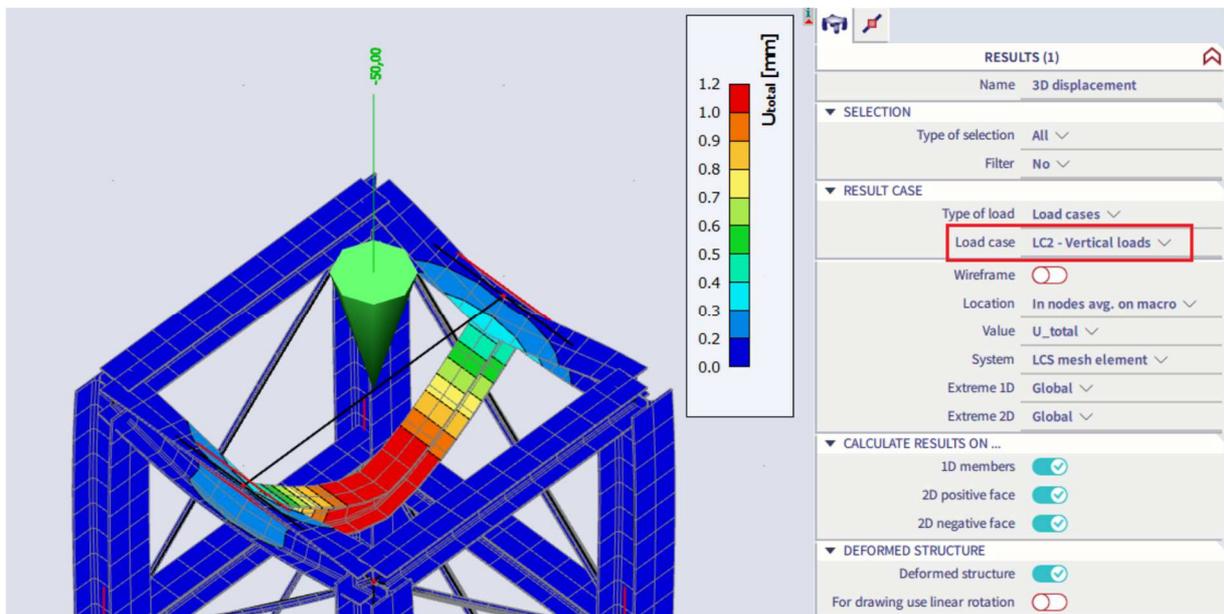
3. 3D displacements and 3D stress

Now we can perform a calculation and have a look at the results with the options in the process toolbar.

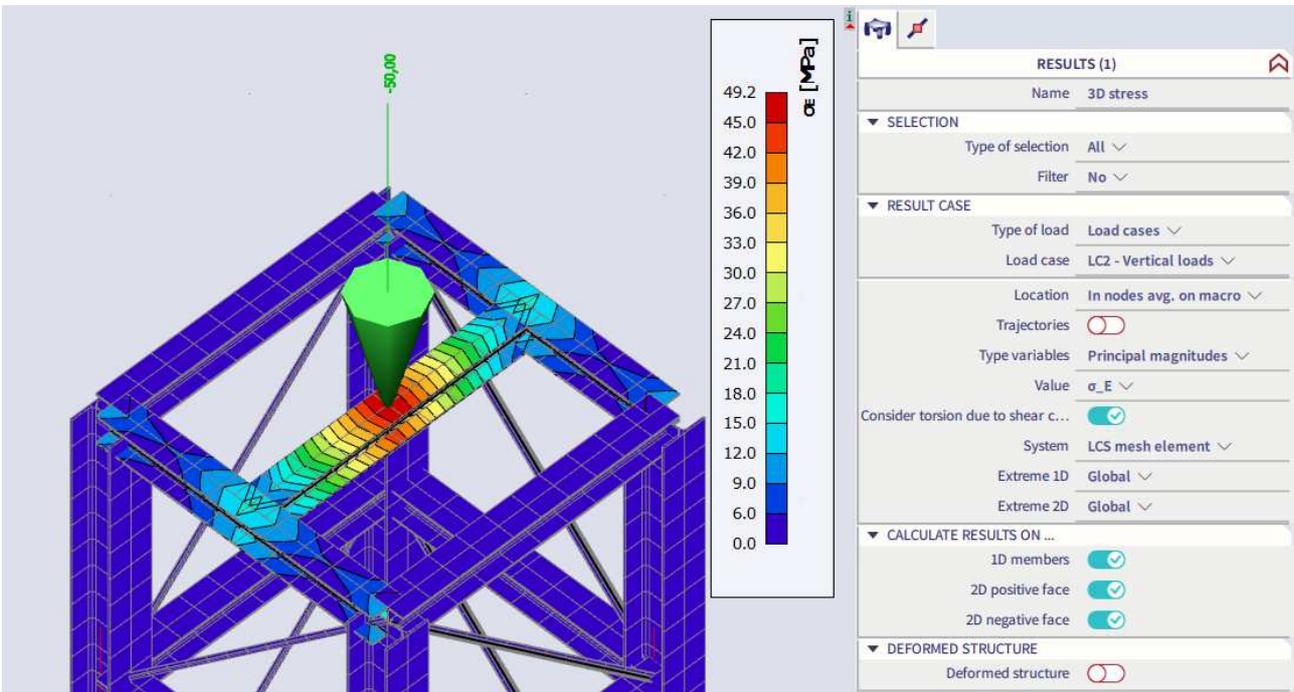
Calculation:



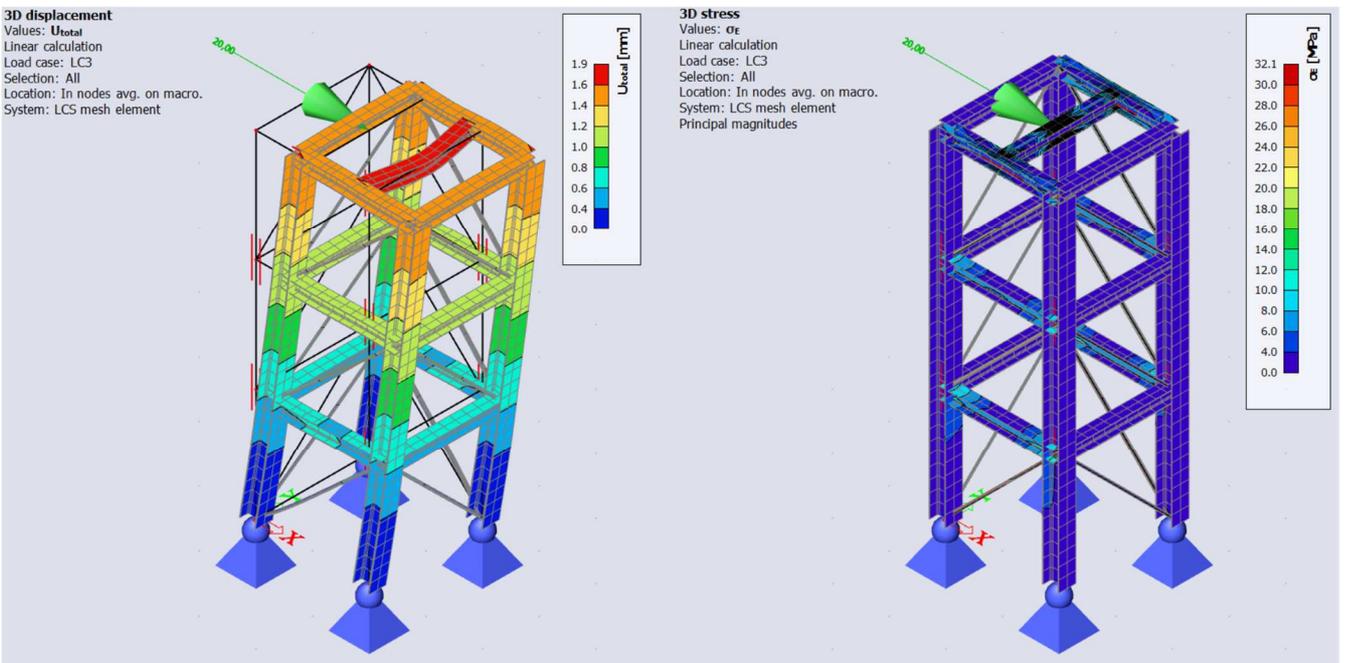
3D deformations:



3D stress:

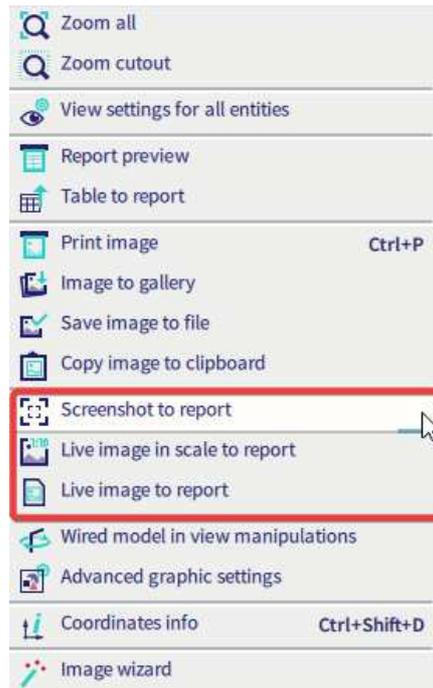


Same for LC3:



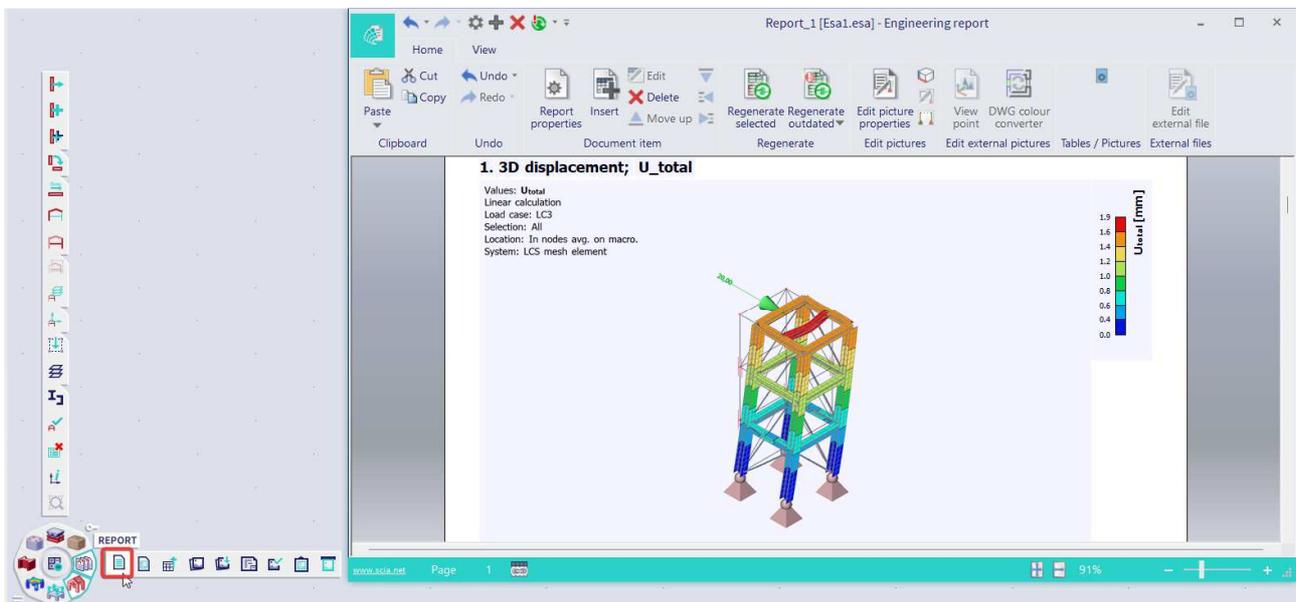
4. Images

You can add different kinds of images to the engineering report by right clicking on your mouse on an empty part of your screen (and without any active selection):



If you choose for a live image, the image will stay connected with the model. Any changes you make to the model will also be visible on the image and view settings can still be edited later on. A screenshot will be a rasterized image of the current state of your model and is not editable.

Send the image to a report and have a look at it via the report option in the process toolbar:

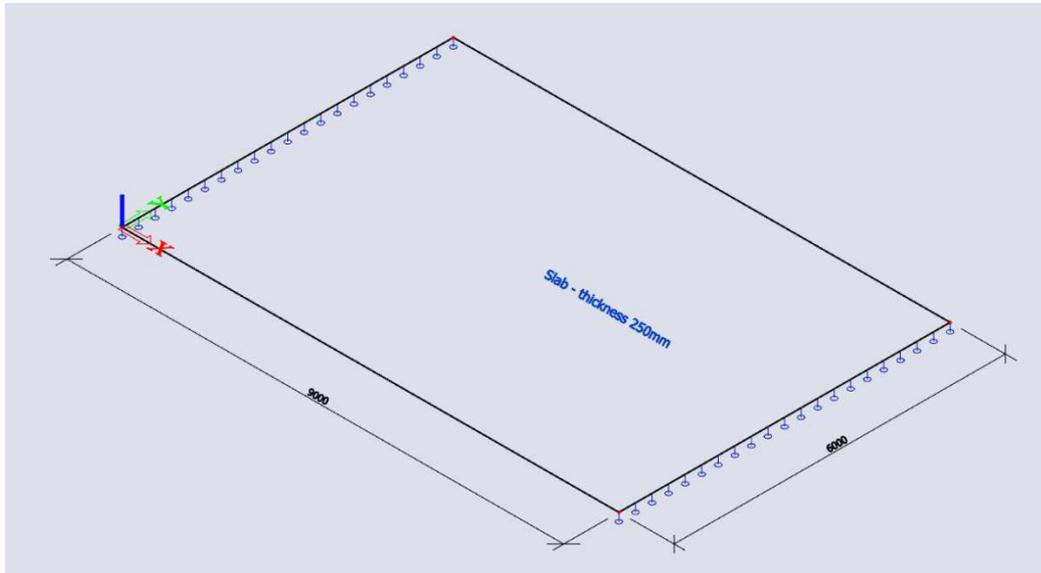


Input of structural entities – 2D elements

Example 8: Rectangular plate

1. Input of geometry

- **Project data:** Plate XY – Concrete C30/37



- Input of the slab:

In the input panel filter the workstation to “structure” and under 2D members choose for “Plate”.

In the next window fill in a thickness of 250mm and leave the other values as default.

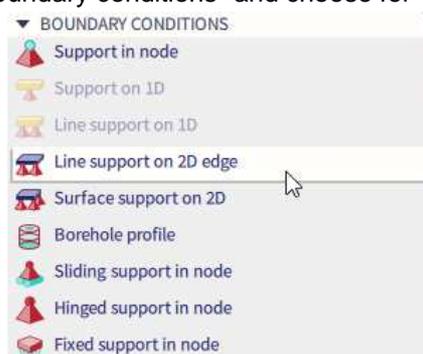
Below the SCIA spotlight there should appear some additional options to change the shape of what you are going to input. Choose a rectangle so that we only have to define the 2 opposite corners of the slab:



Afterwards enter the coordinates “0 0 0” and “9 6 0”.

- Input of the supports

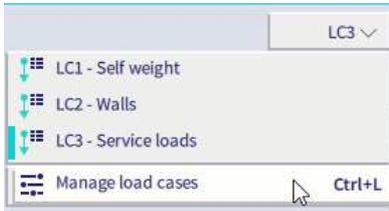
Filter the input panel category to “Boundary conditions” and choose for “Line support on 2D edge”:



Set the restriction as sliding and click on the left and right 6m edge of the slab we just created to add the supports.

2. Loads

Enter the below load cases by going to the loads dropdown menu in the status bar and clicking on “Manage load cases”.



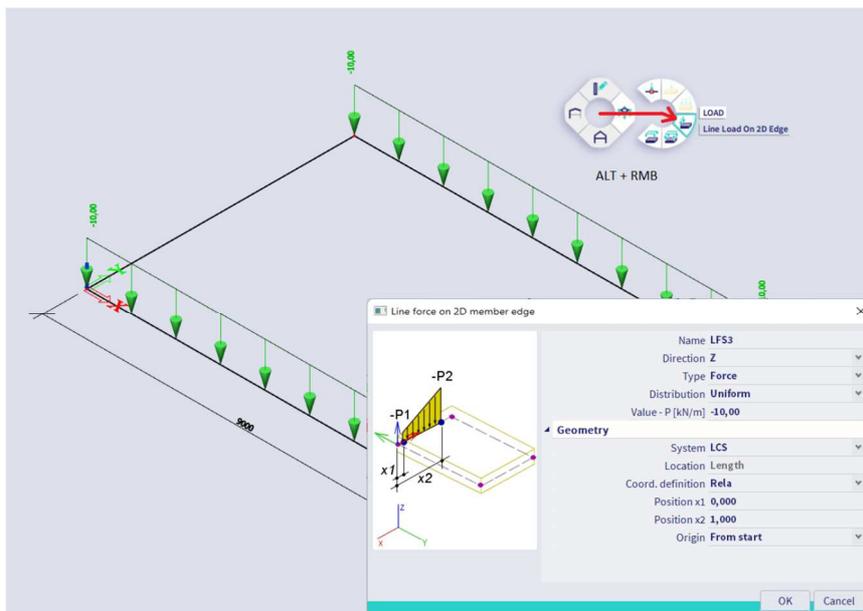
LC1: Self weight (is automatically created)

LC2: Walls (Permanent)

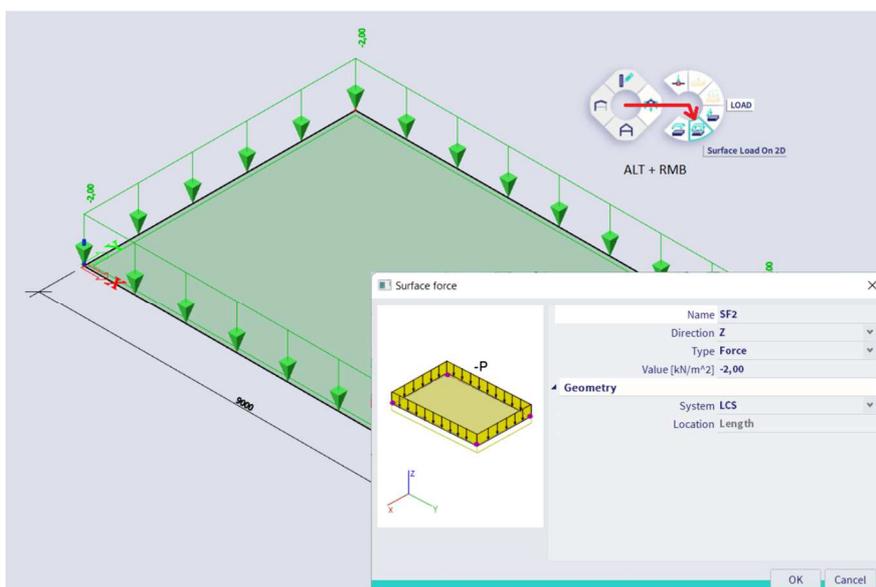
LC3: Service loads (Variable)

You can now switch between the load cases in the dropdown menu and enter the below loads on the slab:

LC2



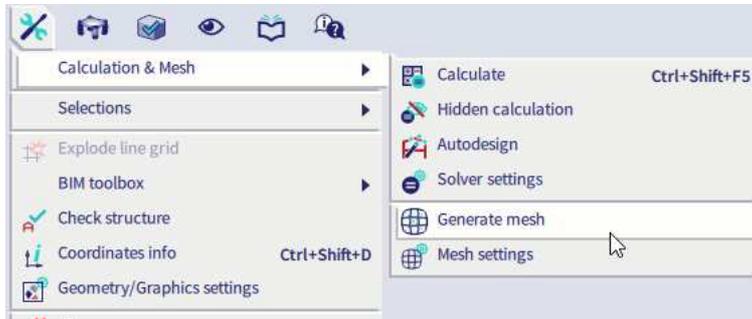
LC3:



3. Finite element mesh

- Generate the mesh

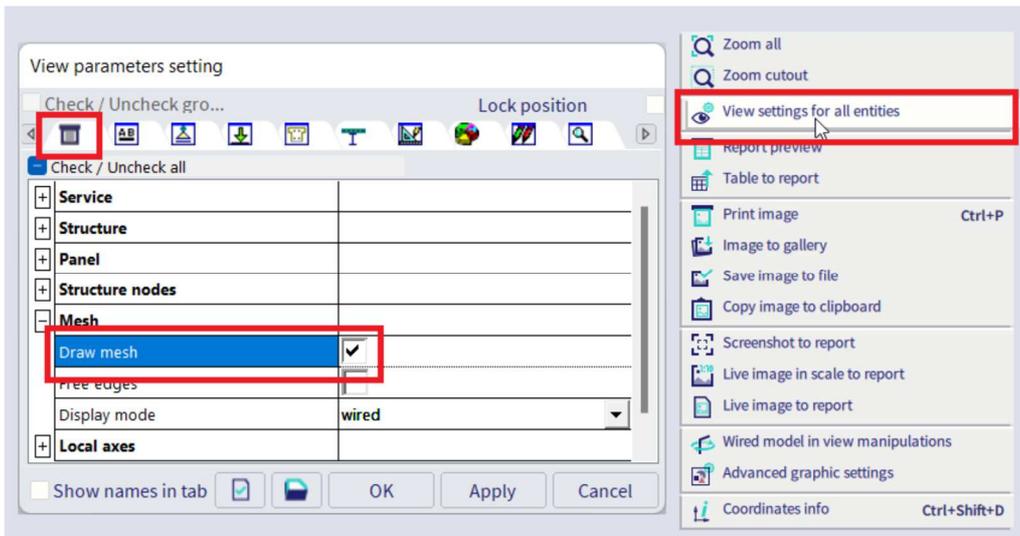
In the main menu go to “Tools” > “Calculation & mesh” > “Generate mesh”



Note: the generation of the mesh is something that is done automatically whenever you run a calculation.

- Graphical display of the mesh elements

In the view settings there is an option to visualize the mesh that will be used for the finite element calculation. Right click on an empty part of your screen, choose for “view settings for all entities” and enable the mesh option in the structure tab:

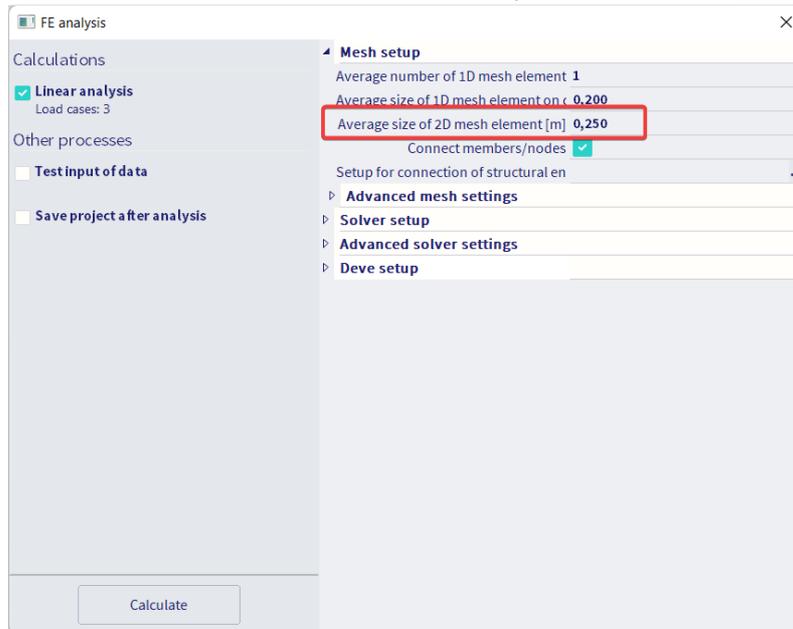


- Mesh refinements

To have a finer mesh you can either apply local mesh refinements from the option you gave in the input table:



Or you can change the default mesh size in the calculation setup:



This will change the mesh size for all the elements in the model when there are no refinements defined on them.

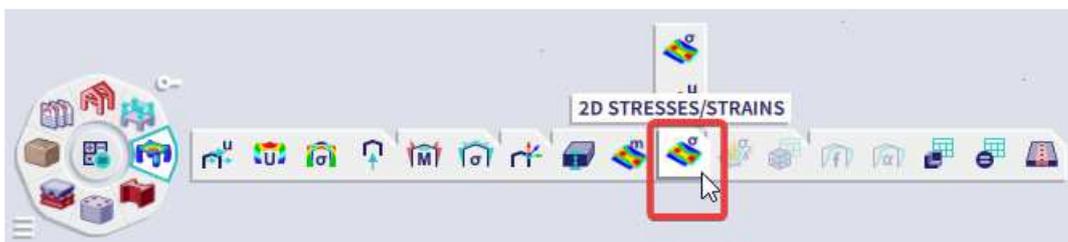
4. Results

- Results on the plate

In the Process Toolbar go to the “Results” branch and click on 2D internal forces:



In the Process Toolbar go to the “Results” branch and click on 2D stress/strains:



Specify which part of the results have to be shown and how they are shown in the result properties. Settings of which:

-System: choose between axis of the elements or axis of the mesh elements.

-Location: Scia provides 4 different locations and types of averaging the results calculated by the finite element calculation. Have a look at our FAQ to read about the difference:

<https://www.scia.net/en/support/faq/results/results-2d-members-what-influence-option-location>

-Type of values: choose between basic, principal, design or resultant magnitudes. Have a look at our FAQ to read about the difference:

<https://www.scia.net/en/support/faq/scia-engineer/results/calculation-1d-and-2d-results>

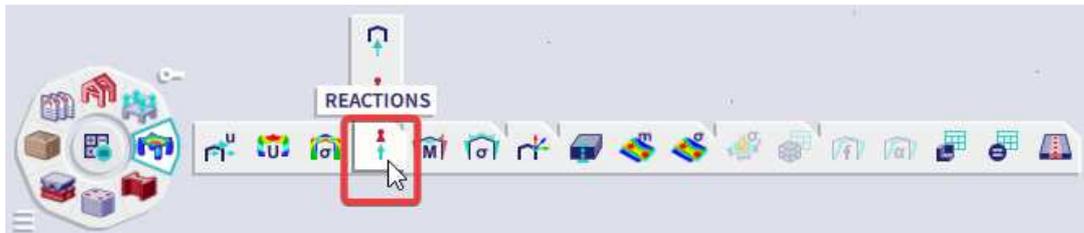
-Drawing setup 2D: make changes to the colors, legends, min./max. settings etc. to change the visualization of the results.

- Accuracy of the results

An infinitely small 2D mesh will give you the most correct results from the finite element calculation. But because you typically don't have so much time to wait for that kind of calculation we have to decide a proper mesh size. If you change between the 4 location types in the result properties, they should not be much different from each other. If so, you will have to choose for a finer mesh setting. General rule of thumb is to choose a mesh size of about the thickness of the scoped 2D element.

- Line reaction forces

In the Process Toolbar go to the "Results" branch and click on "reaction":

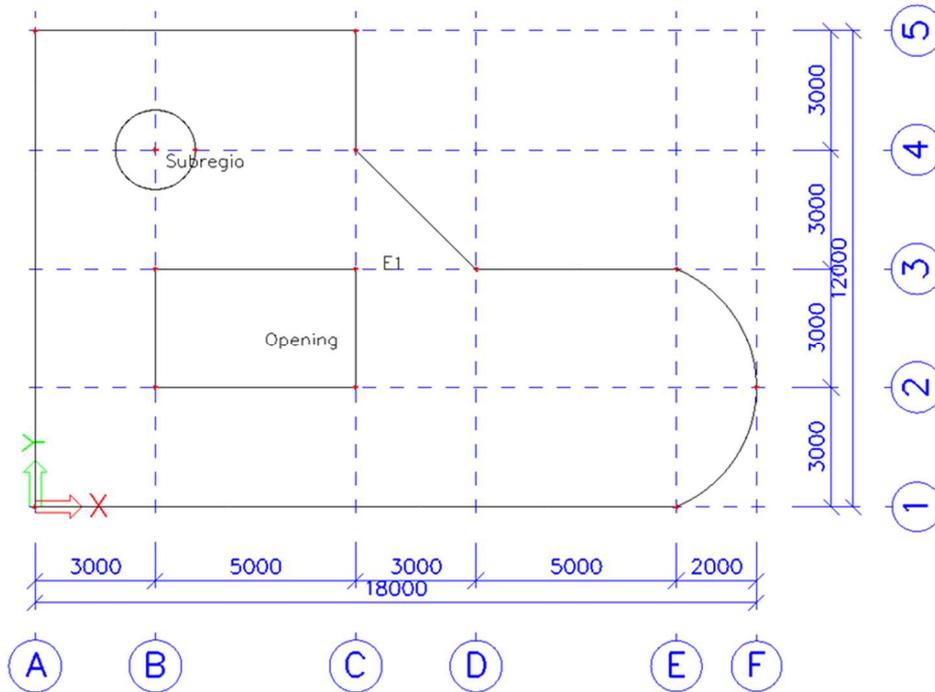


With the "course" setting set to "precise" Scia will show the exact results from the calculation. You can choose from "Trapezoidal" or "Average" for a an averaged out result of the line reaction forces.

Example 9: Slab on an elastic foundation (subsoil)

1. Input of the geometry

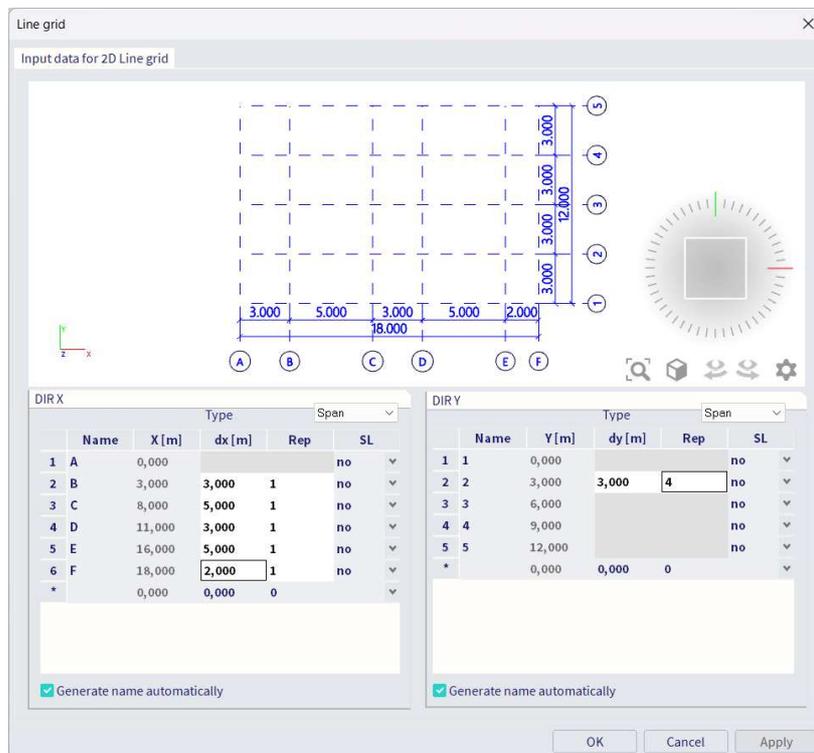
- **Project data:** Plate XY – Concrete C20/25 – slab thickness 200mm



- **Input of a grid:**

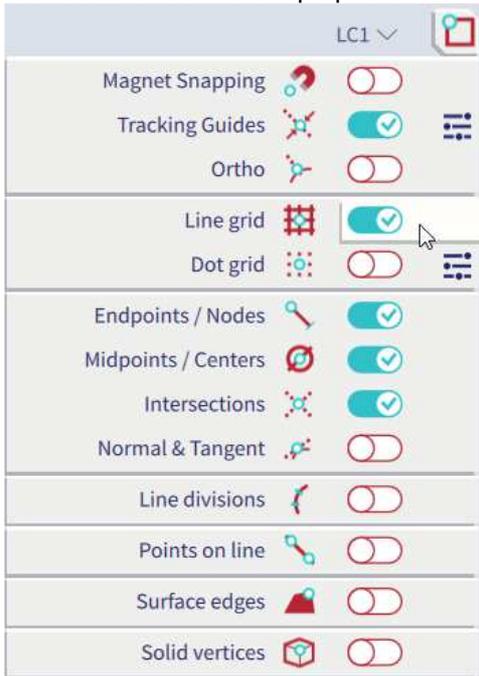
In the Input Panel choose for “Rectangular Grid” under “GRIDS & STOREYS”.

Fill in the below values, click “OK”, “OK” again and afterwards enter the coordinates of the origin: 0 0 0, all separated with a SPACE. Press “ESC” to end the action.



- **Input of a slab:**

With the help of the grid we are now going to create a 2D element. Therefore make sure the line grid snap is enabled under the snap options:



Then in the input panel under category “2D members” choose for “plate” and fill in the properties of the slab. Click “OK” and start drawing the slab. Notice that right underneath the SCIA Spotlight you can change the shape of the next segment you will be drawing. For our plate element we need straight lines and circular arcs:



Finish the plate by selecting the first node again, clicking “ESC” or right clicking and choosing for “Confirm action”.

- **Input of additional data:**

Now we are going to create a circular subregion and a rectangular opening. In the input panel choose for “Opening on 2D” under 2D members and “Subregion” after, we are going to use the below shapes to create the openings and subregions:



If you want to enter a value for the radius make sure the tracking guides are enabled in the snap options. Point in any orthogonal direction and fill in the value for the radius.

To simulate the ground underneath the slab we are going to apply a surface support. Look for “Surface support on 2D” under “Boundary conditions” in the input panel. Copy a predefined subsoil to the project library and click “OK” to assign it to the slab.

2. Loads

Insert the following load cases:

LC 1: Self weight

LC 2: Walls on the outer edges (Perm.) > Line force 10 kN/m

LC 3: Freestanding walls (Perm.) > Line force 6,5 kN/m

LC 4: Service load (Var.) > Surface load 2 kN/m²

LC 5: Service load on subregion (Var.) > Surface load 1,5 kN/m²

3. Finite elements mesh

- Mesh settings:**

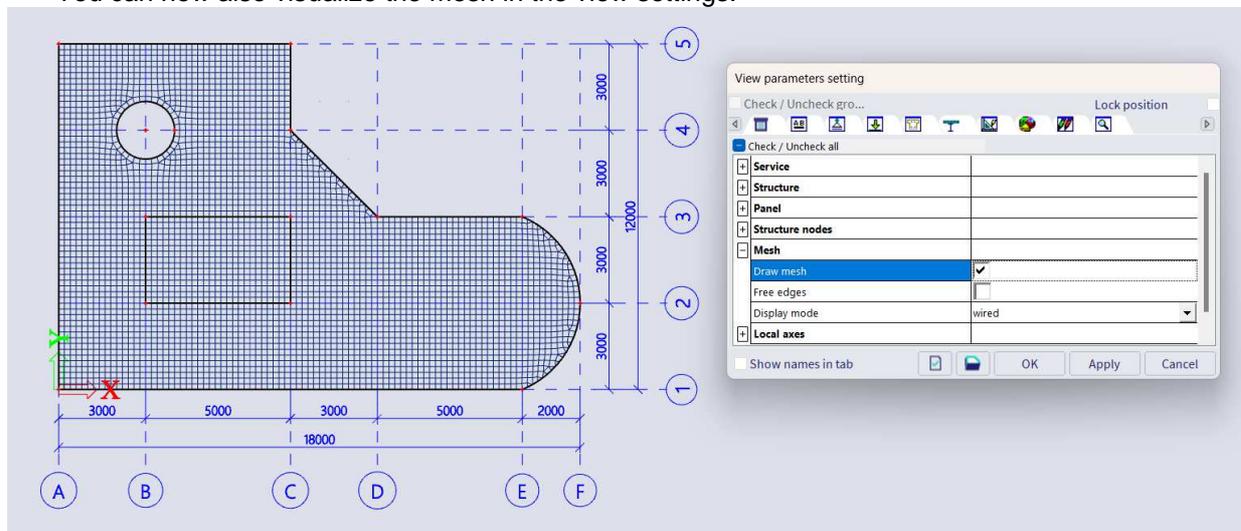
"Tools" > "Calculation & mesh" > "Mesh settings"

We recommend a 2D mesh setting of 1 to 2 times the thickness of the 2D element.

- Generate the mesh:**

"Tools" > "Calculation & mesh" > "Generate Mesh"

You can now also visualize the mesh in the view settings:



4. Results

- Results on the slab**

Go to the "Results" branch of the Process Toolbar and choose for 2D internal forces:



Set the result properties and click on "Refresh" at the bottom.

- Results on the subregion**

Repeat the above but before refreshing select the subregion and change the "Type of selection" in the result properties to "Current":



- **Results on the foundation support**

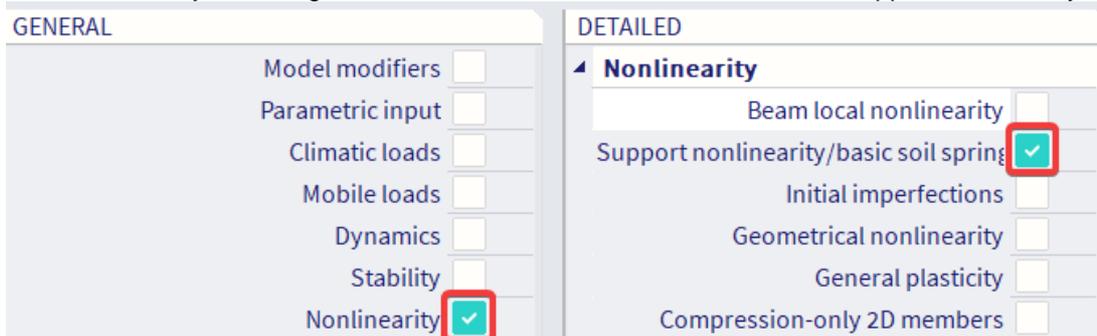
Go to the "Results" branch of the Process Toolbar and choose for 2D contact stresses:



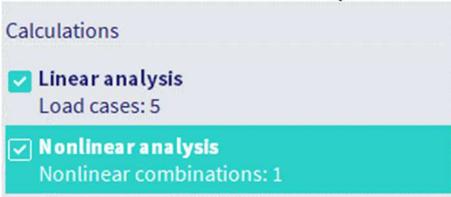
Note: Convention for soil stresses: positive value = compressive stress, negative value = tensile stress.

5. Eliminate tension in subsoil

Go to File > Project settings and under the "Functionalities" tab enable support nonlinearity:



Go to the "Loads" branch of the process toolbar and choose for "Nonlinear combination". Then create some nonlinear combinations and perform the nonlinear analysis by enabling it in the calculation window:



Note: if you do a nonlinear analysis with the above functionality enabled by default Scia ignores the possible tensional capacity of any surface support. You could also define a nonlinear function for a standard support to achieve the same.

6. Concrete settings

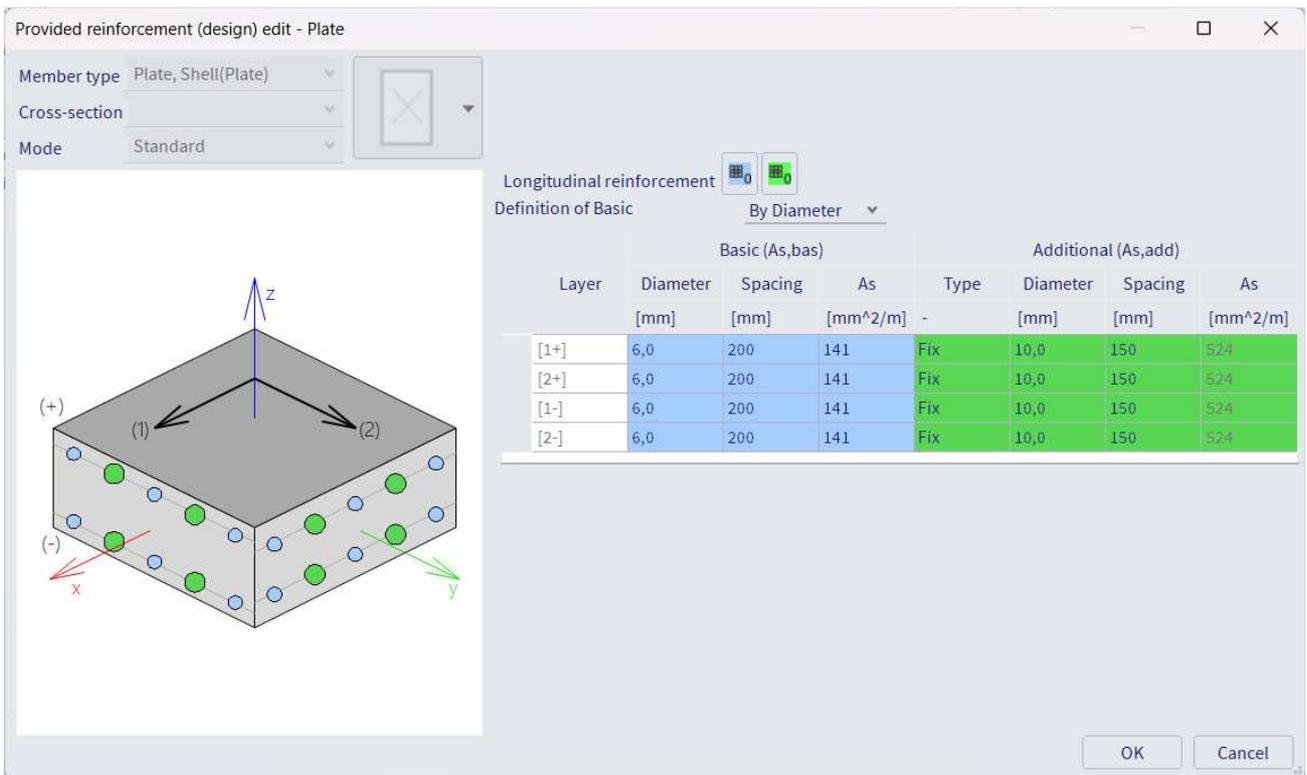
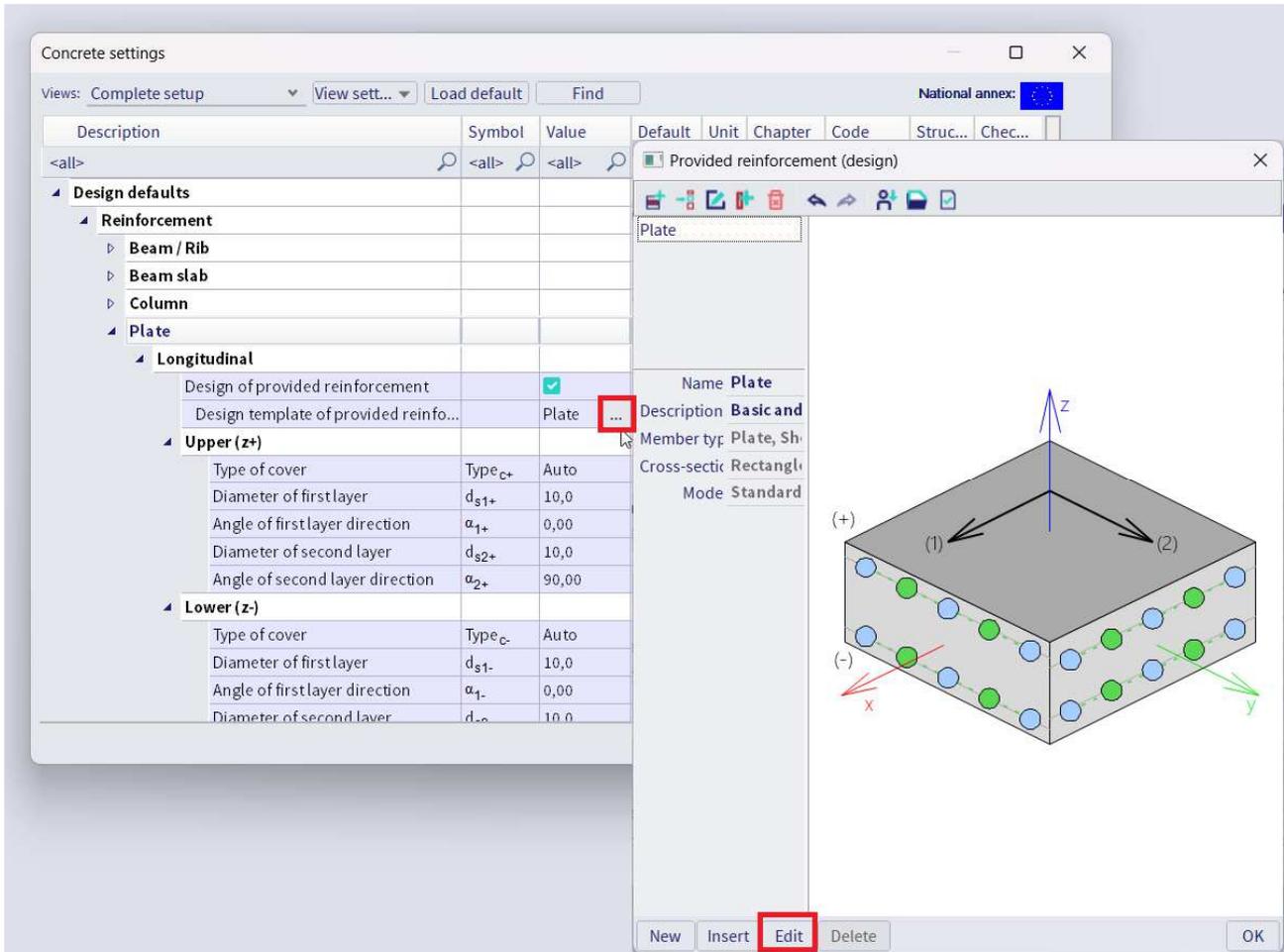
- **Overall settings**

In the process toolbar go to the "Concrete" branch and choose for "Concrete settings":



These settings will affect all the elements in the project which were not overwritten yet with member data (see further).

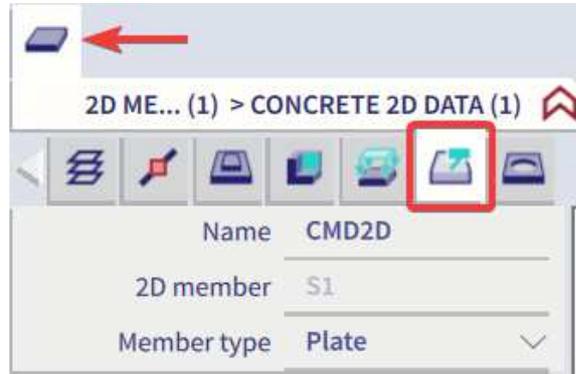
For each type of element you can define a template for the reinforcement design. Do so with the below settings for type "Plate":



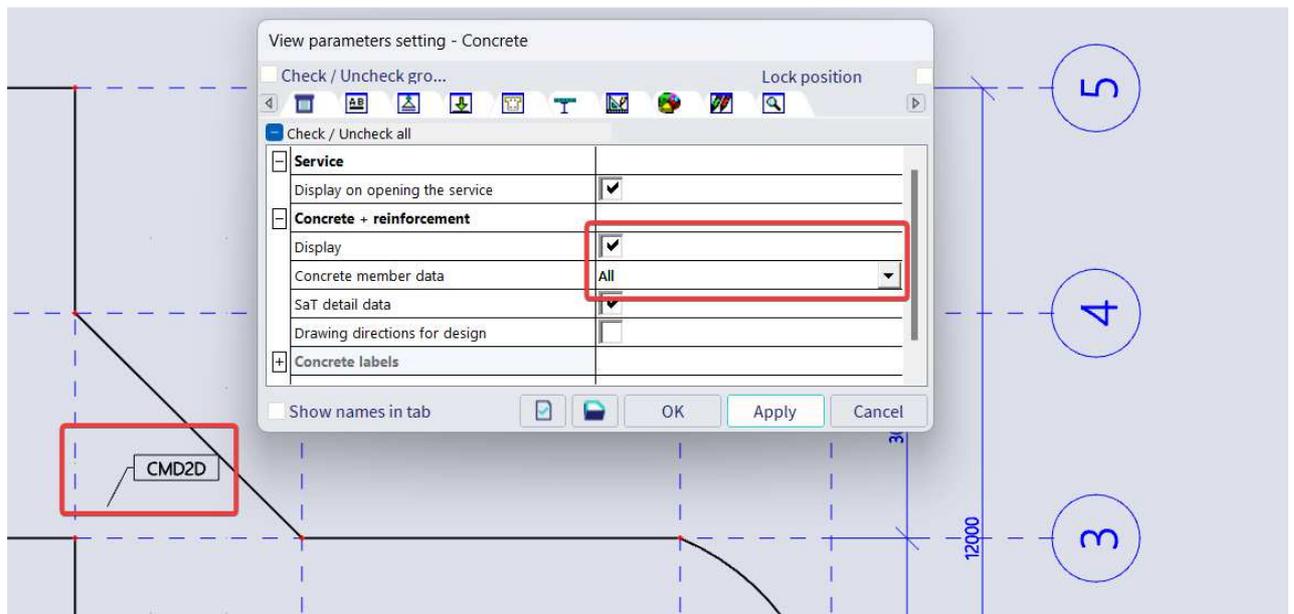
- **Member data**

Every concrete element in Scia has member data attached to it which follow the general settings. Whenever you change a certain setting in here, the general settings will be overwritten.

Member data are accessible via the selection of an element:



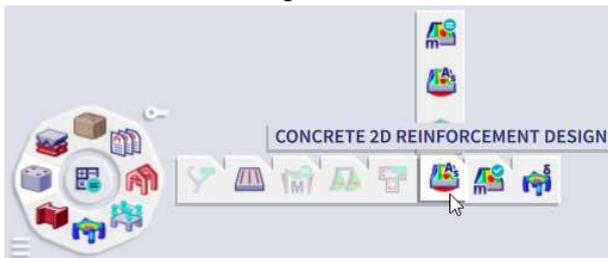
Or by showing the concrete member data labels in the view settings:



7. Reinforcement design of plate

- **Theoretical reinforcement**

In the Process Toolbar go to the "Concrete" branch and choose for "Concrete 2D reinforcement design":



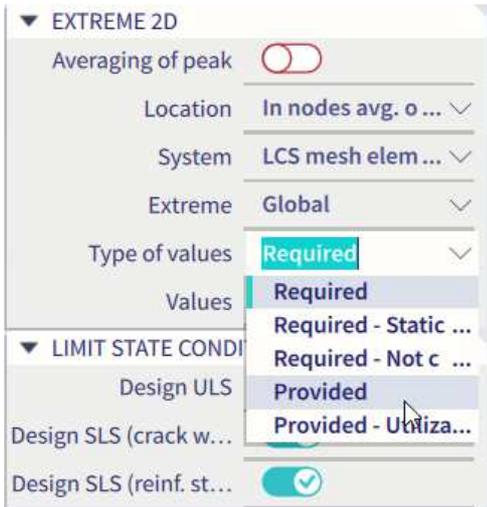
-As + = Amount of reinforcement needed for upper surface (positive LCS Z-axis) of the 2D element

-As - = Amount of reinforcement needed for lower surface (negative LCS Z-axis) of the 2D element

- Direction 1 is by default the LCS X-direction of the element
 - Direction 2 is by default the LCS Y-direction of the element
- Directions can be changed in the concrete settings or concrete member data.

- **Provided reinforcement**

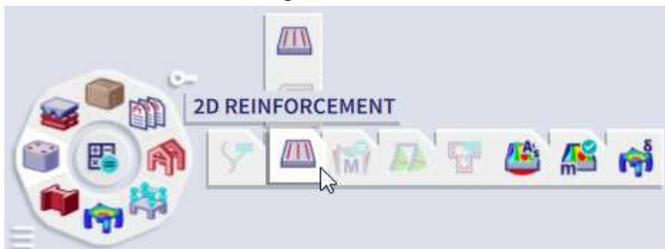
Repeat the command you did for the theoretical reinforcement but in the result properties change the "Type of values" to "Provided":



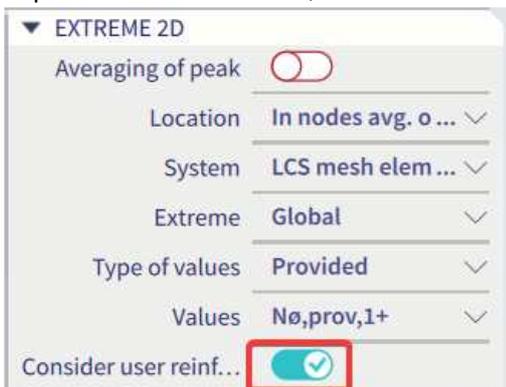
In the template we set in the concrete settings Scia is now going to compare with the theoretically needed amount of reinforcement to calculate the provided amount of reinforcement.

- **User reinforcement**

In the Process Toolbar go to the "Concrete" branch and choose for "2D reinforcement":



You can add reinforcement of any kind onto the slab. To take into account this information in the calculation of provided reinforcement, enable the below option in the result properties:



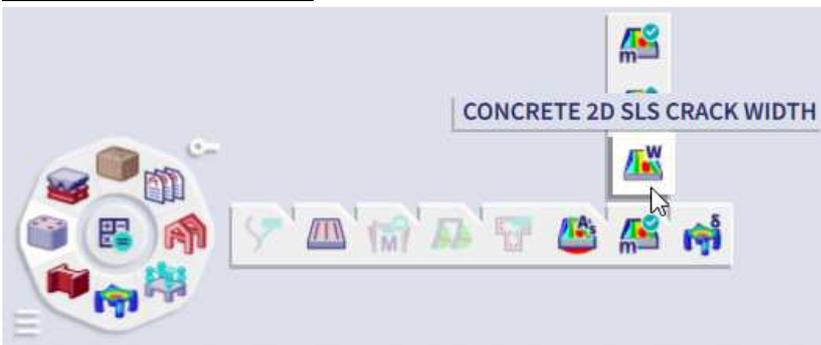
- **2D reinforcement checks**

Punching check



This check can be executed based on required (theoretical), provided and user reinforcement.

2D SLS crack width check



This check can be executed based on required (theoretical), provided and user reinforcement.

Code dependent deflections



This check can be executed based on required (theoretical), provided and user reinforcement.

2D ULS capacity check

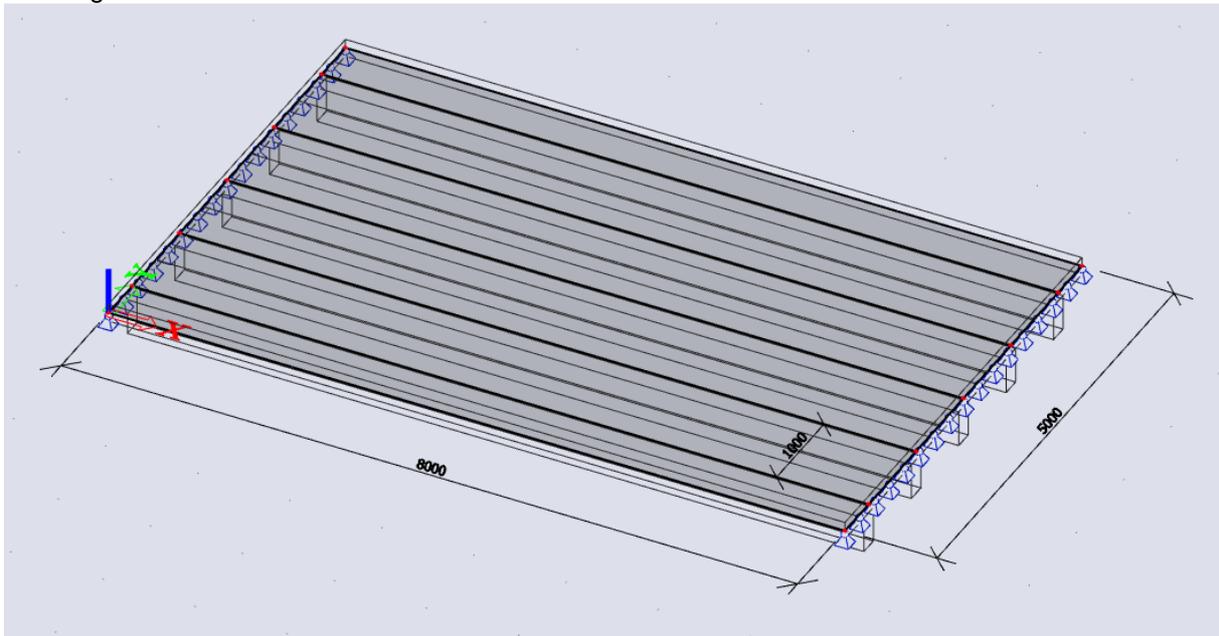


This check can only be executed when there is user reinforcement present in the concrete.

Example 10: Slab with ribs

1. Input of the geometry

- **Project data:** General XYZ – Steel S 235 – Concrete C20/25 – thickness of slab 200 mm – Ribs rectangular 400mm x 200mm



- **Input of slab:** method 1

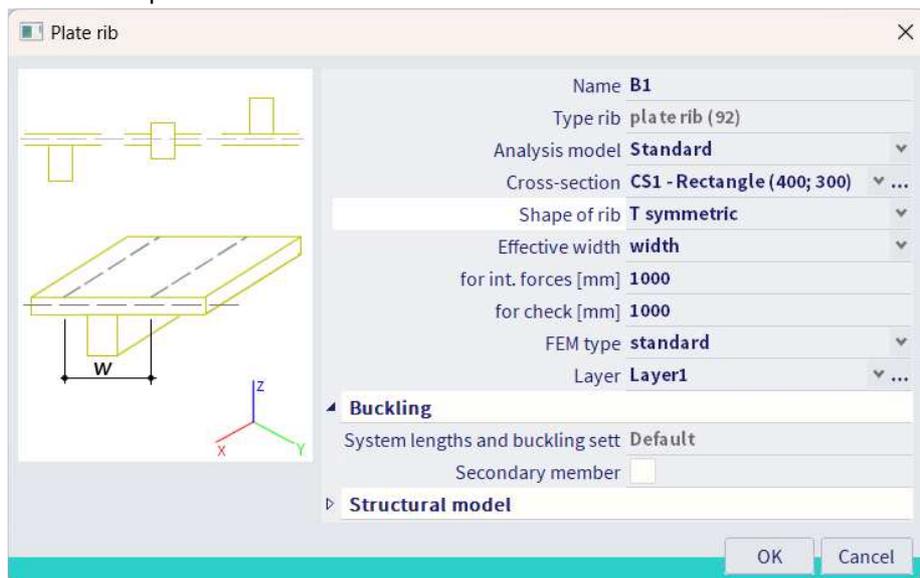
Filter the Input Panel workstation to "Structure" and choose for "Plate" under "2D members".

When doing so under the Scia Spotlight some options for the shape appear, choose for rectangle:



And enter coordinates "0 0 0" and "8 5 0" in the Scia Spotlight.

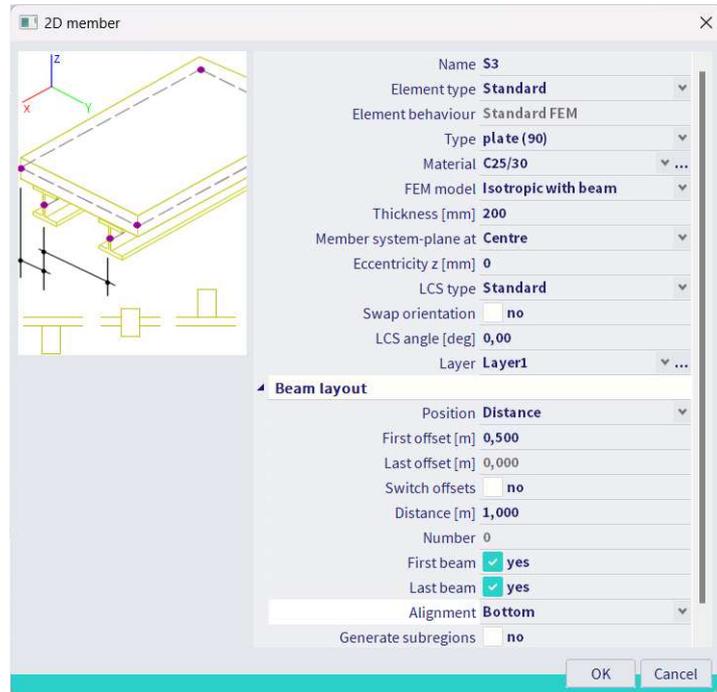
To input the ribs filter the Input Panel workstation to "Structure" and choose for "Rib" under "1D members":



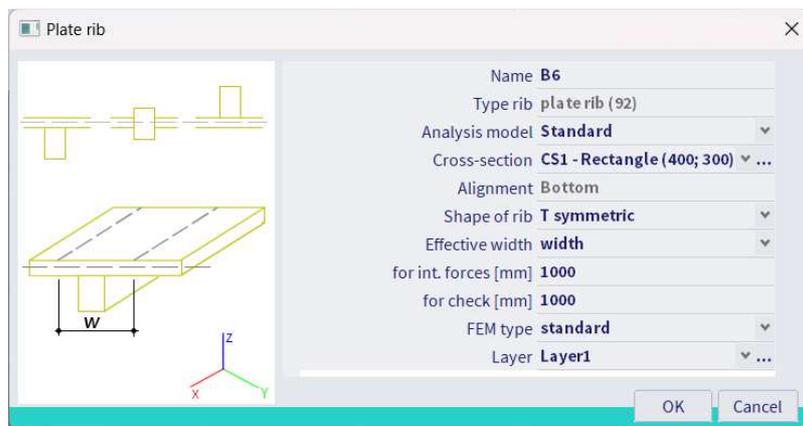
Then simply draw the ribs onto the slab using the following coordinates: "0 0,5 0"- "8 0,5 0", "0 1,5 0"- "8 1,5 0", "0 2,5 0"- "8 2,5 0", "0 3,5 0"- "8 3,5 0", "0 4,5 0"- "8 4,5 0".

- **Input of slab:** method 2

Filter the Input Panel workstation to "Structure" and choose for "Ribbed slab" under "2D members". First fill in the properties of the slab:



Draw a rectangular slab from coordinates "0 0 0" to "8 5 0", end with ESC and fill in the properties of the rib:



- **Input of supports**

Filter the Input Panel workstation to "Structure" and choose for "Hinged support in node" under "Boundary conditions".

2. Input of the geometry

LC1: Self weight

LC2: Service load (Var.) → Input a surface load of 5 kN/m²

3. Refine the mesh

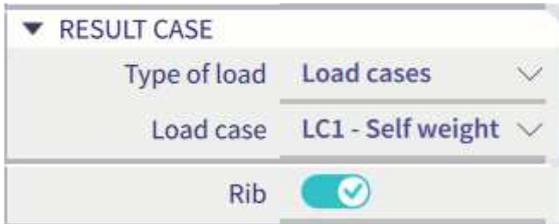
Refine mesh via Main menu > Tool > Calculation, Mesh > Mesh setting; average size of 2D mesh element = 0,20 m

4. Results

- **1D members**

Go to the results branch of the Process Toolbar and choose for "1D internal forces".

Note the below option in the result properties:

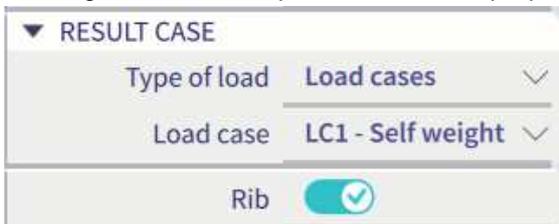


When disabled you look at the results of the beam only, when enabled you look at the results of the whole T-section in this case (slab + rib).

- **2D members**

Go to the results branch of the Process Toolbar and choose for "2D internal forces".

Note again the below option in the result properties:



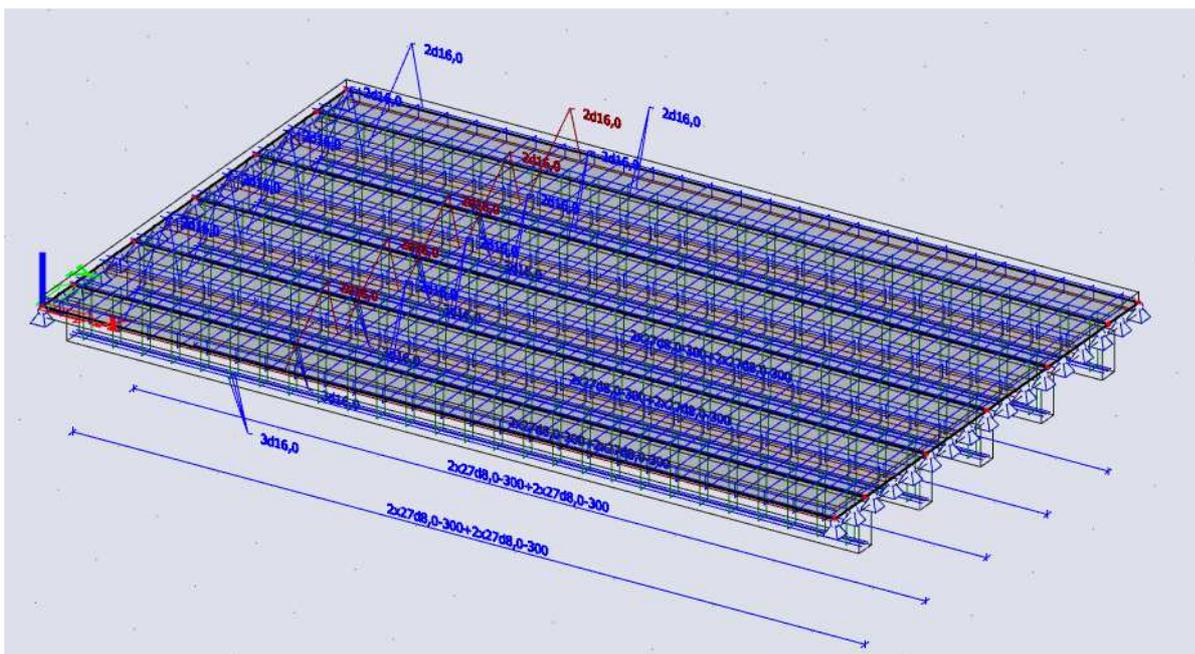
When disabled you look at the results of the slab only, when enabled the part of the results that was already summed up in the T-sections is left out of the result.

5. Reinforcement in T-sections

The effective width is an approximation from the norm, where the connection beam-plate is replaced by a T-beam for the design of the reinforcement. By selecting the option Rib, the internal forces in the beam are adapted. These adapted forces represent the forces in the T-section, so they can be used to design the reinforcement in the T-beam.

Suppose: effective width = distance between the ribs

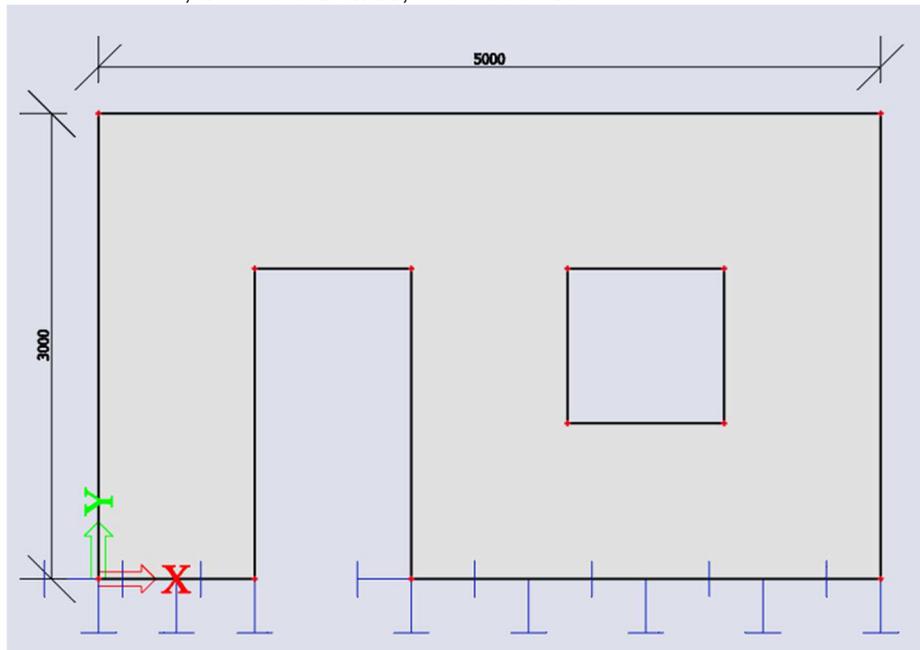
Filter the input panel workstation to "Concrete" and under "Concrete reinforcement" choose for "Add reinforcement on whole beam". Select the ribs to insert user reinforcement:



Example 11: Precast wall

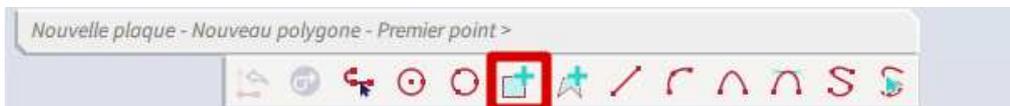
1. Input of the geometry

- **Project data:** Wall XY, Concrete C25/30, thickness 150 mm



- **Input of wall**

Filter the input panel workstation to "Structure" and choose for "Plate" under "2D members". When doing so under the Scia Spotlight some options for the shape appear, choose for rectangle:



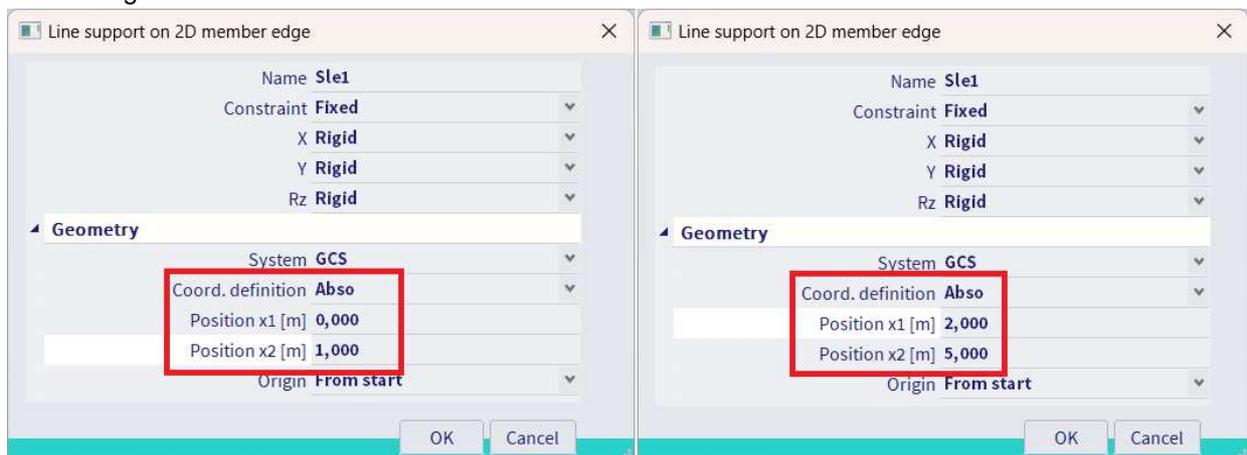
Enter a wall using the coordinates "0 0 0" and "3 5 0".

Filter the input panel workstation to "Structure" and choose for "Opening on 2D" under "2D members". Enter two rectangular openings for the door and window using the coordinates "1 0 0"- "2 2 0" and "3 1 0"- "4 2 0".

- **Input of supports**

Filter the input panel workstation to "Structure" and choose for "Line support on 2D edge" under "Boundary conditions".

We want to separate the parts left and right of the door opening, therefore do the above action twice with the below settings:

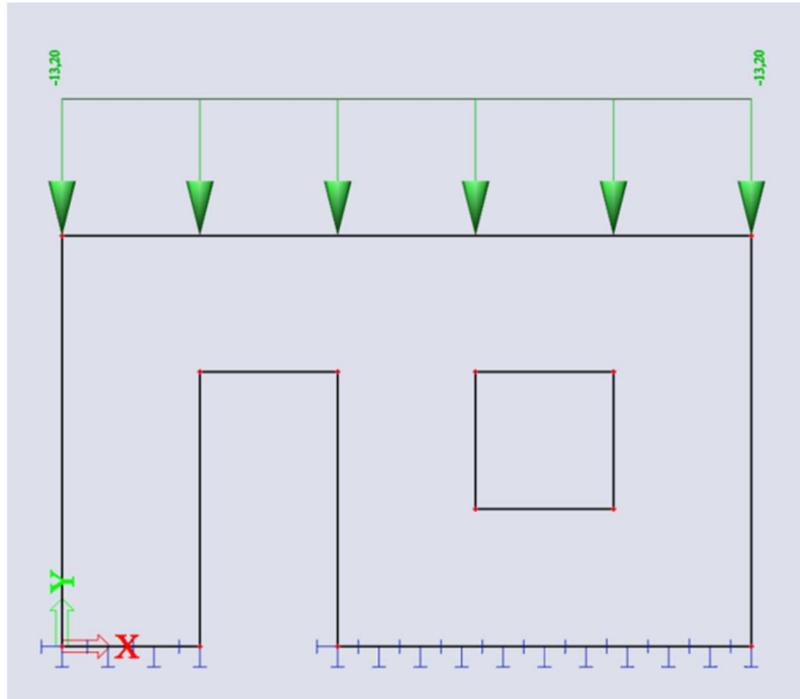


2. Loads

LC1: Self weight

LC2: Slab (Perm.) → Insert a line load of 13,2 KN/m

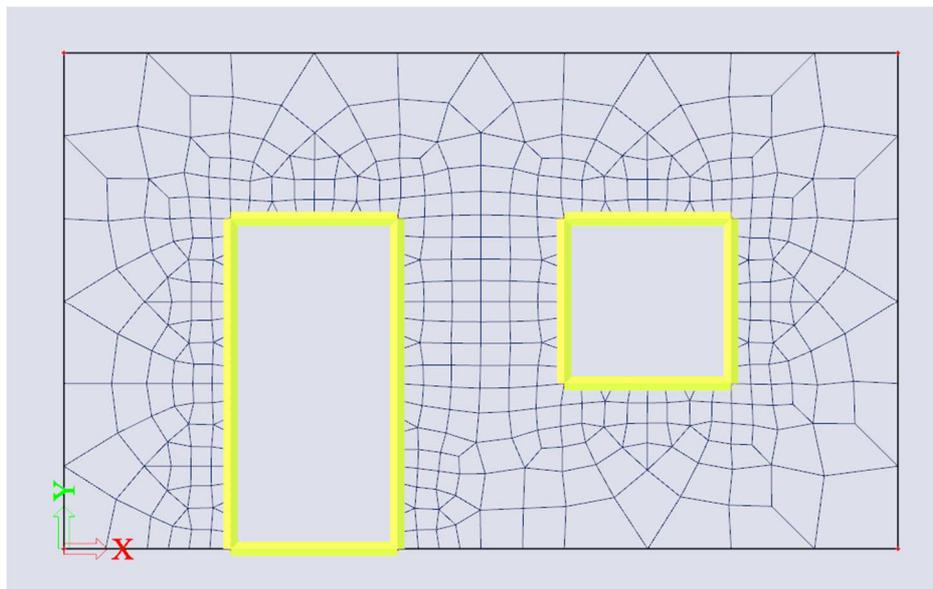
Note: because we choose "Wall XY" in the project settings, the self weight is in the direction of the Y-axis by default.



3. Refine the mesh

Refine mesh via Main menu > Tool > Calculation, Mesh > Mesh setting; average size of 2D mesh element = 0,30 m

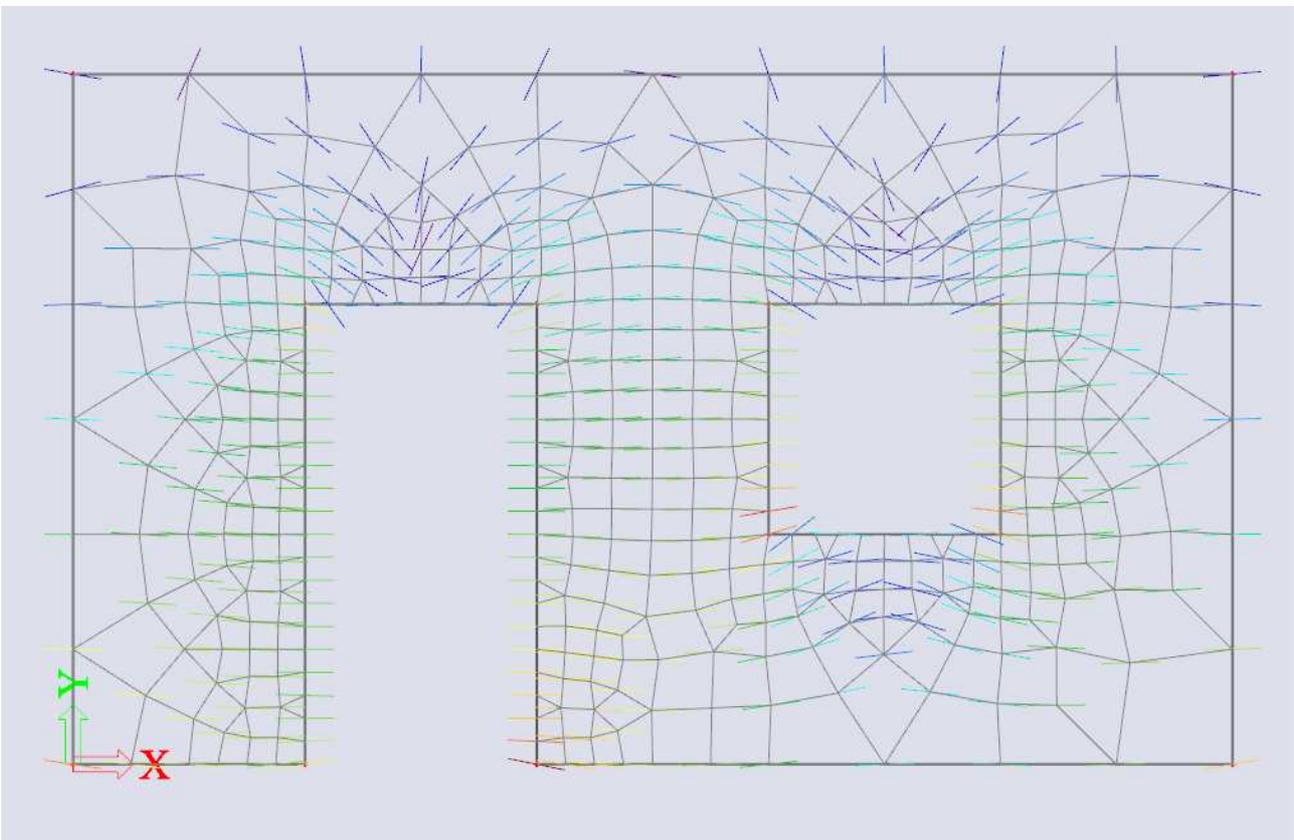
To locally refine around the openings, filter the input panel workstation to "Calculation & Results" and choose for "Edge mesh refinement" under "Result tools". Use a setting of 0.1m and then select all the 2D edges around the openings:



4. Results

Go to the result branch of the process toolbar and choose for "2D stresses/strains". Set the result properties as shown below to show the trajectories of the main principal stresses:

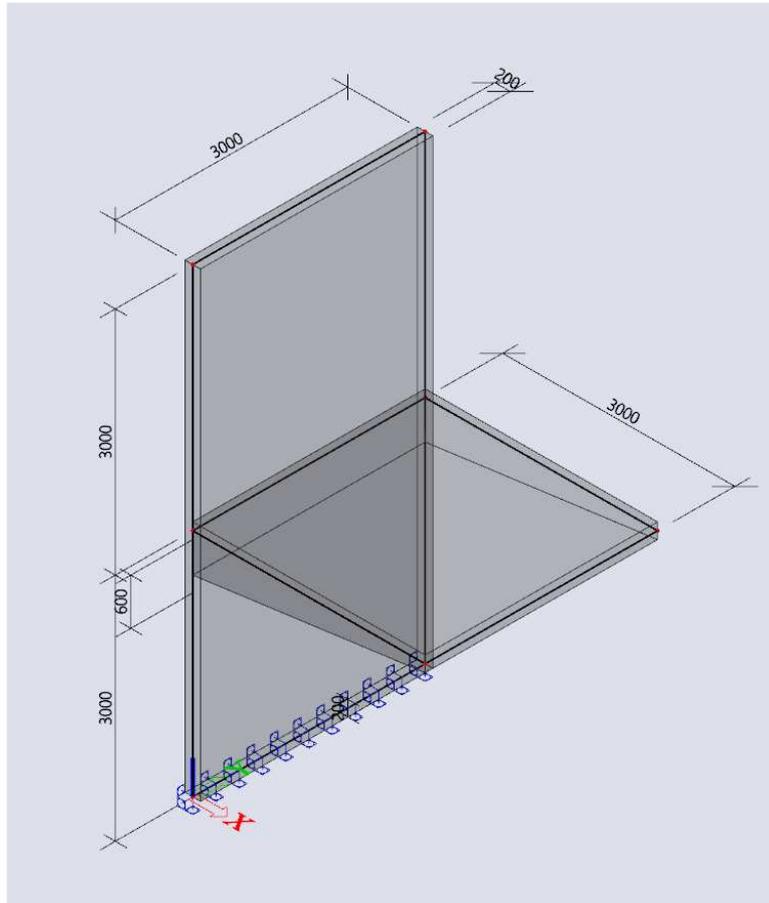
Location	In nodes avg. on ...
Trajectories	<input checked="" type="checkbox"/>
Type variables	Principal magnit...
Value	σ_E
System	LCS mesh element
Extreme 1D	Global
Extreme 2D	Global



Example 12: Balcony

1. Input of the geometry

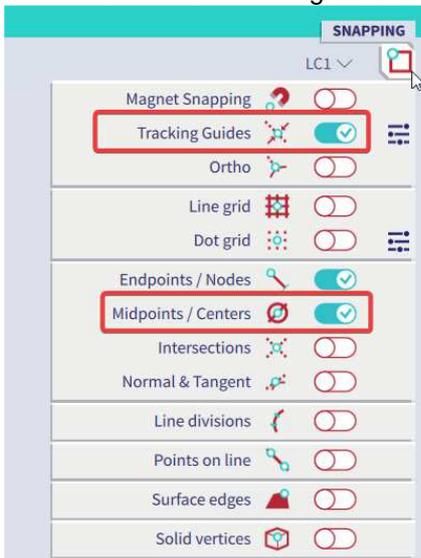
- **Project data:** General XYZ, Concrete C30/37



- **Input of the balcony**

Filter the input panel workstation to "Structure" and choose for "Wall" under "2D elements". Insert a wall of height 6m on coordinates "0 0 0" and "0 3 0".

Filter the input panel workstation to "Structure" and choose for "Plate" under "2D elements". Insert a slab of 3x3m using the below snap settings:



Adjust the thickness of the slab with the below settings in the property panel to get a varying height:

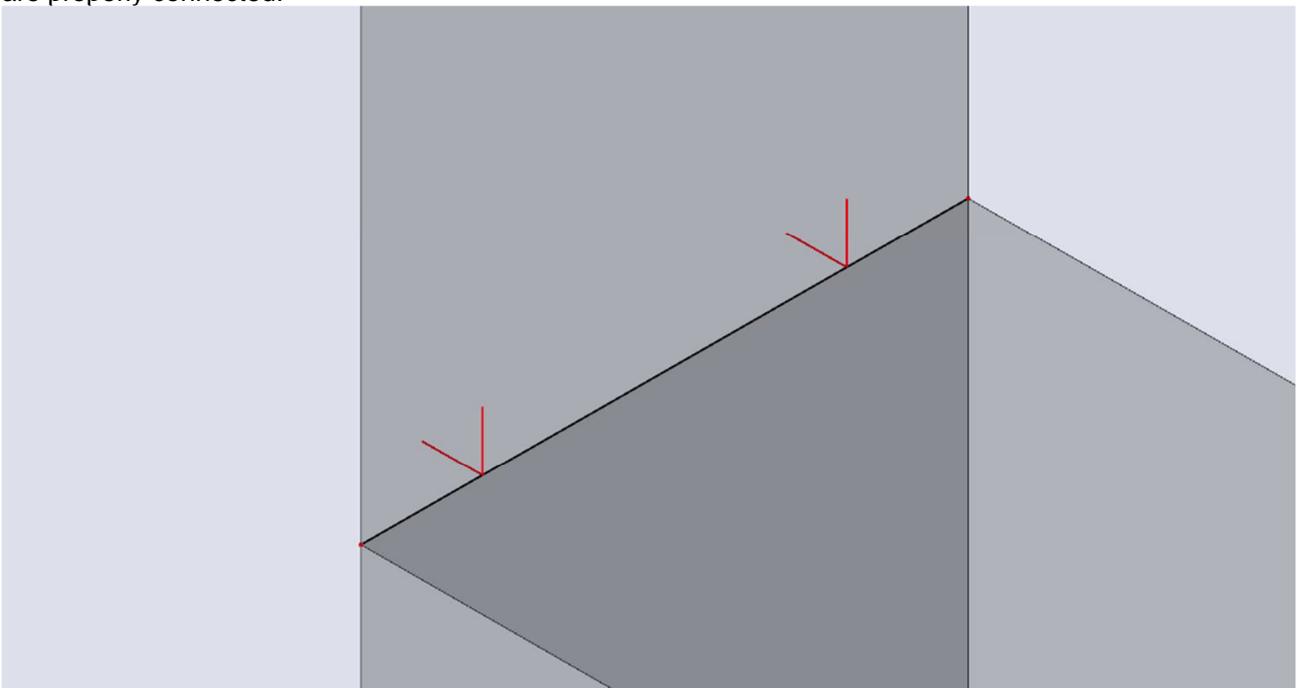
VARIABLE THICKNESS	
Thickness type	variable
Direction	Global X
Point 1	N5
Thickness Th. [mm]	600
Point 2	N6
Thickness Th. [mm]	200
Member system-pla...	Top
Eccentricity z [mm]	100
LCS type	Standard
Swap orientation	<input type="checkbox"/>
LCS angle [deg]	0,00
3D Wind	<input type="checkbox"/>

The node numbers might differ depending on the direction you used to input the slab.

2. Actions after the input of the geometry

- Tools > **Check structure**
- Edit > Modify > Connect members/nodes
Or you can simply type "Connect members/nodes" in the SCIA Spotlight. Note that you can do this action both for a selection or the whole structure (select nothing to do the latter).

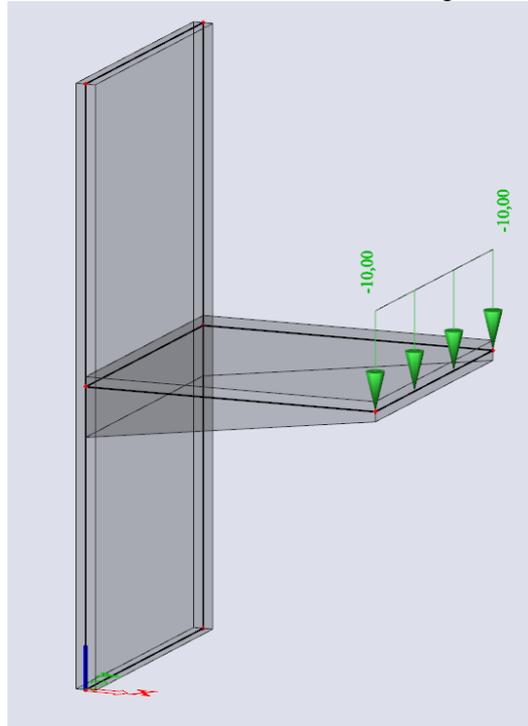
Note that the connection between the wall and slab is now marked with red lines to indicate the two elements are properly connected:



3. Loads

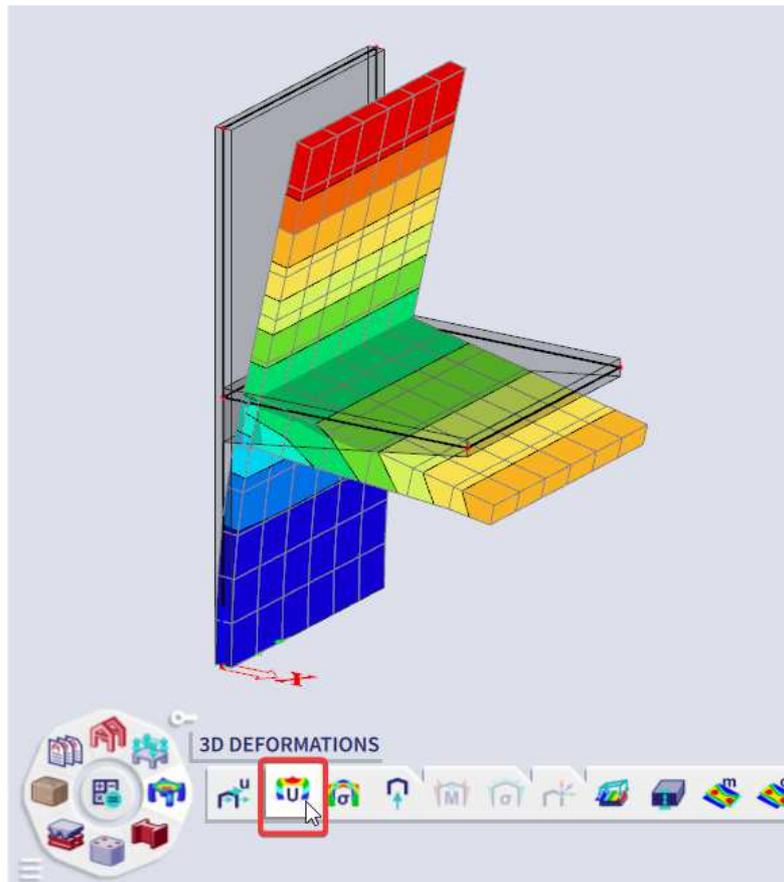
LC1: Self weight

LC2: Balcony (perm) → Insert a line load of 10 KN/m on the outer edge of the balcony



4. Results

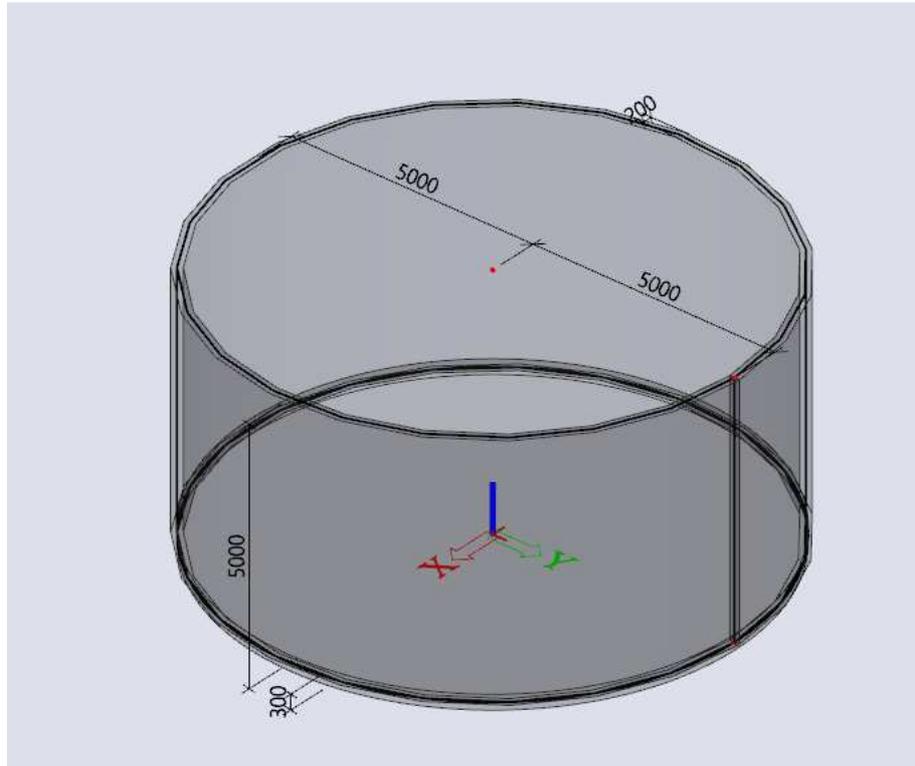
Check if the displacements are as expected. Go to the results branch of the Process Toolbar and choose for 3D deformations:



Example 13: Tank

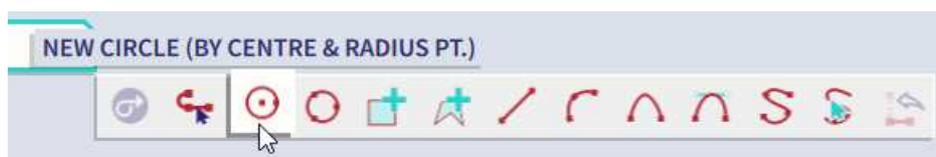
1. Input of geometry

- **Project data:** General XYZ, concrete C25/30



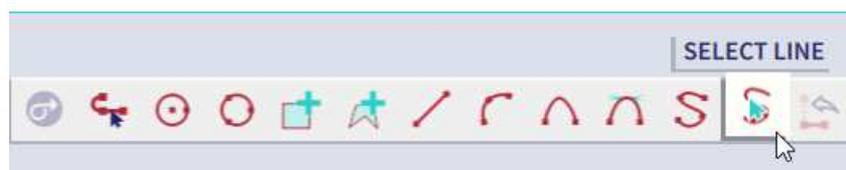
- **Input of tank**

Filter the Input Panel workstation to "Structure" and choose for "Plate" under "2D members". When doing so under the Scia Spotlight some options for the shape appear, choose for circle by radius:



Enter a circular slab by using the coordinates "0 0 0" and "5 0 0"

Filter the Input Panel workstation to "Structure" and choose for "Wall" under "2D members". When doing so under the Scia Spotlight some options for the shape appear, choose for "select line":



Then you can simply select the edge of the slab you already created to insert a cylindrical wall of height 5m.

- **Input of supports**

Look for “Surface support on 2D” under “Boundary conditions” in the Input Panel. Copy a predefined subsoil to the project library, click “OK” and assign the support to the bottom slab of the tank.

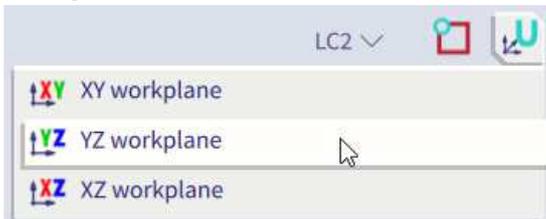
2. Loads

LC1: Self Weight

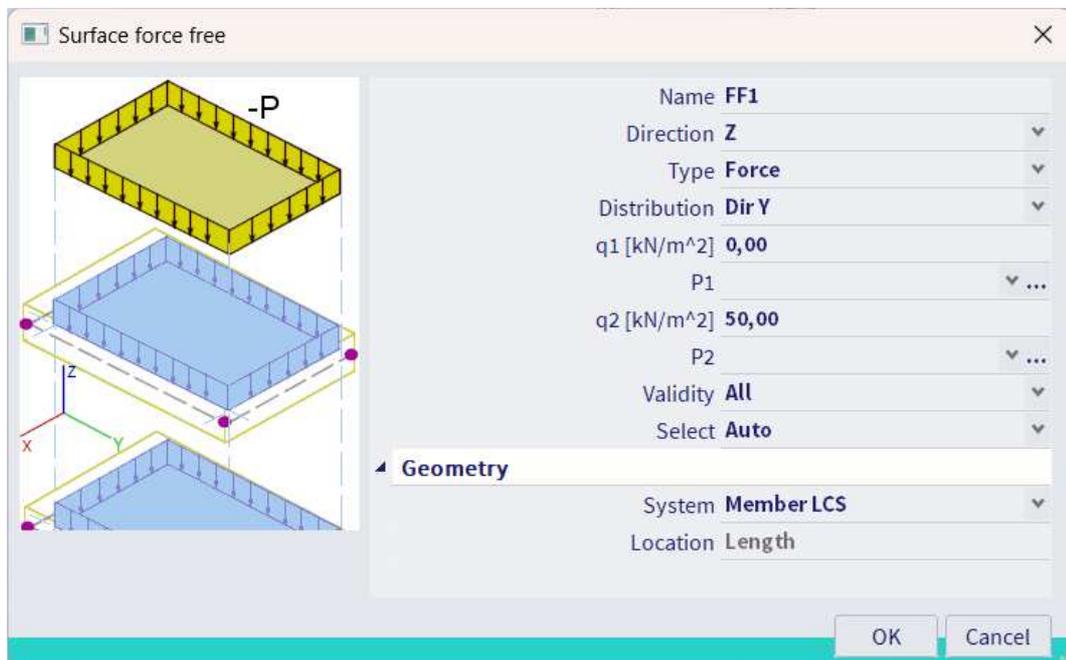
LC2: Variable pressure (var.) → Variable surface load of 0 to" 50 KN/m²

Input of free surface load:

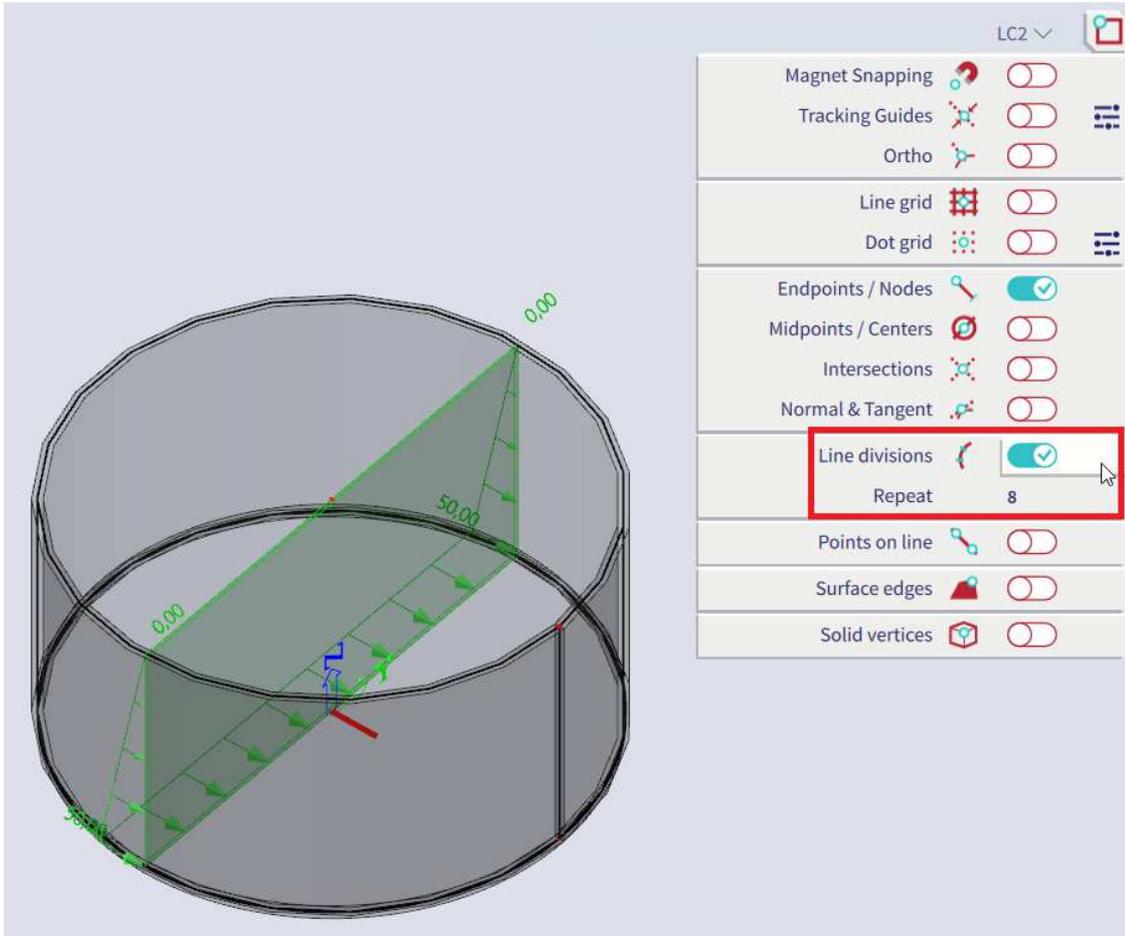
- UCS
A free load is always inputted on the UCS workplane and generated on some elements afterwards. Therefore first we are going to set the UCS vertically. Choose for YZ workplane under the UCS settings:



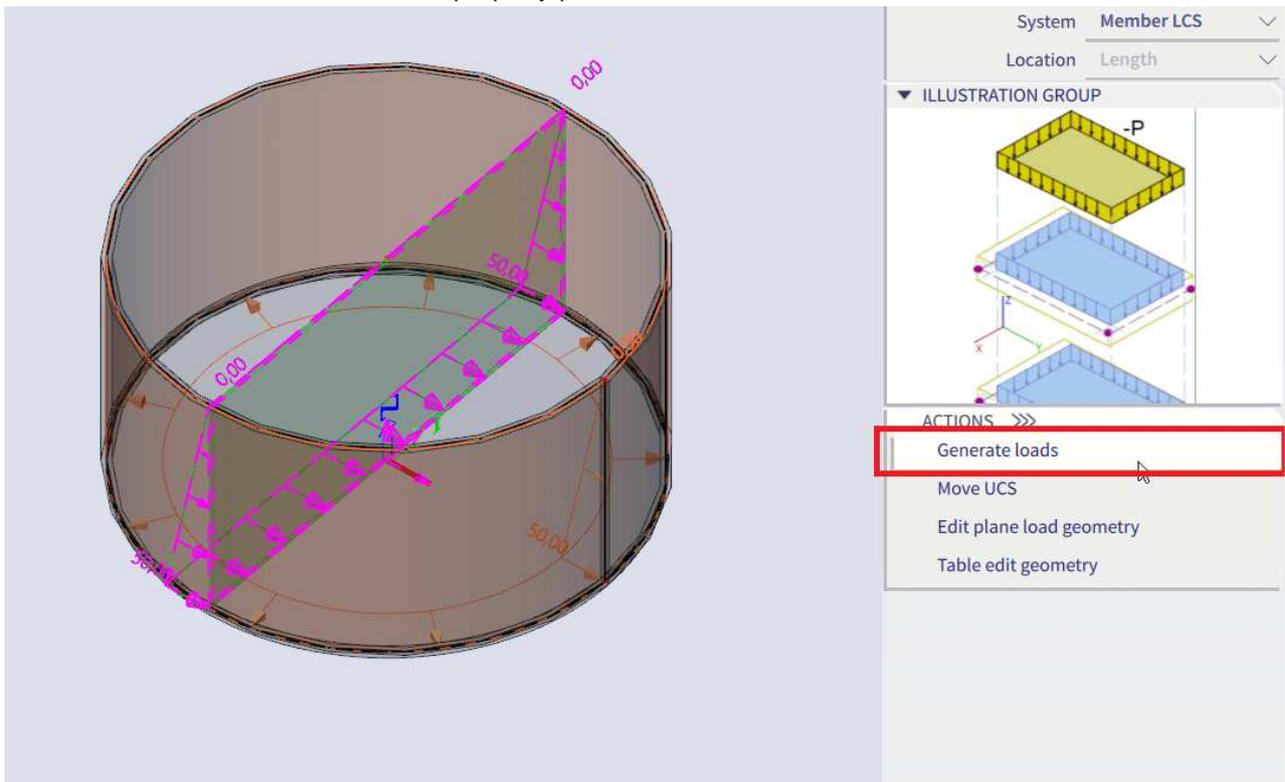
- Free load
We are going to draw a free load over the whole projection of the tank and afterwards let Scia generate the loads according the LCS system of the tank. Filter the Input Panel workstation to "Loads" and choose for "Free surface loads" under "Surface loads". Use the below settings:



Draw a free surface load using the below snap settings:



Note: if you want to check how the load will be generated in the calculation, select the free load and click on "Generate loads" on the bottom of the property panel:

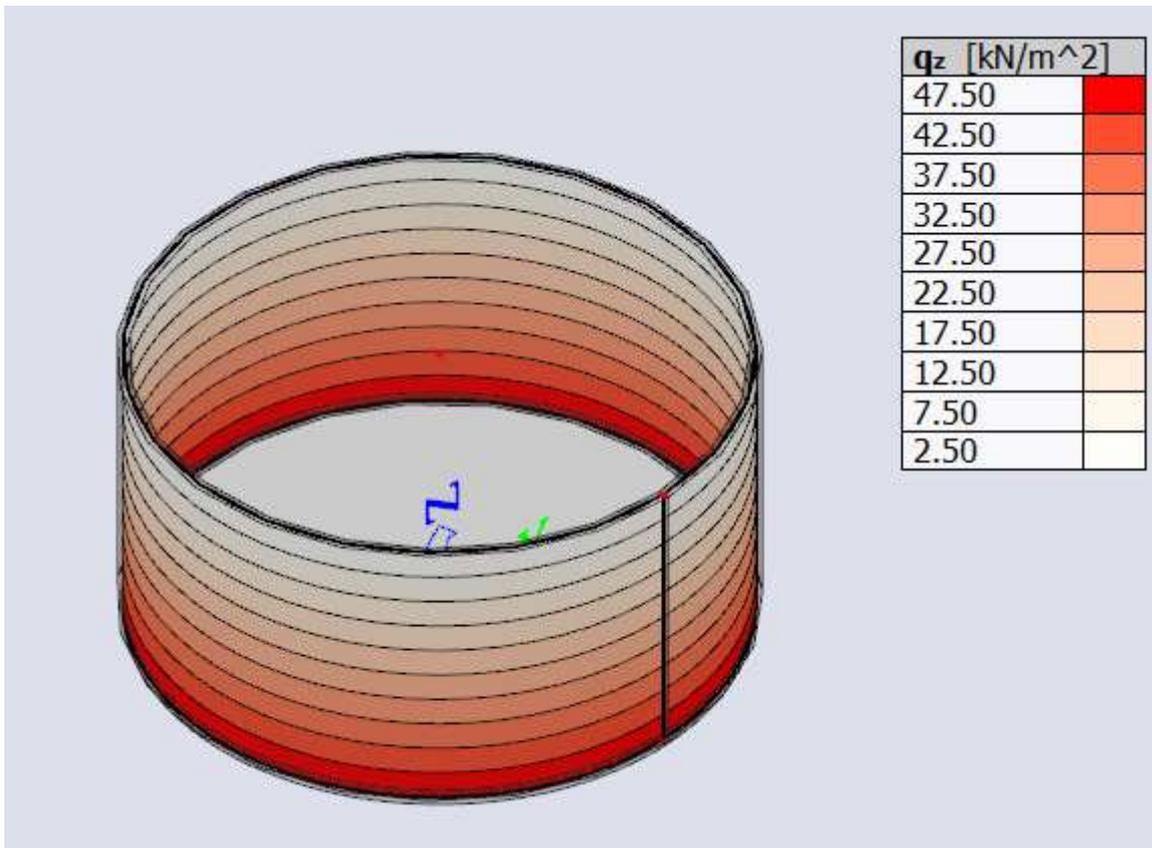
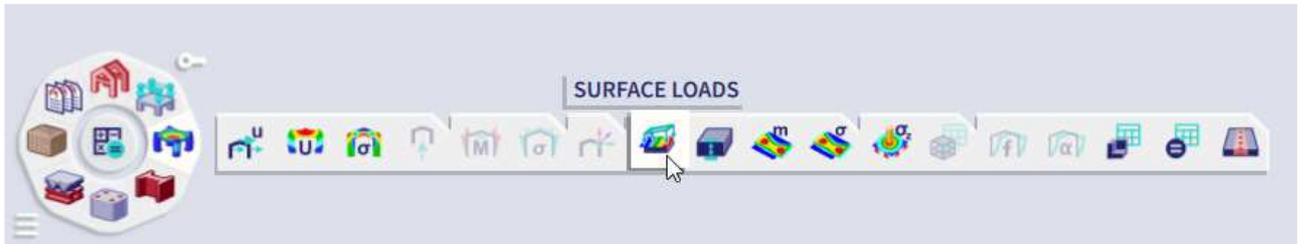


3. Refine the mesh

Refine mesh; size of mesh elements = 0,2m

4. Check of loads

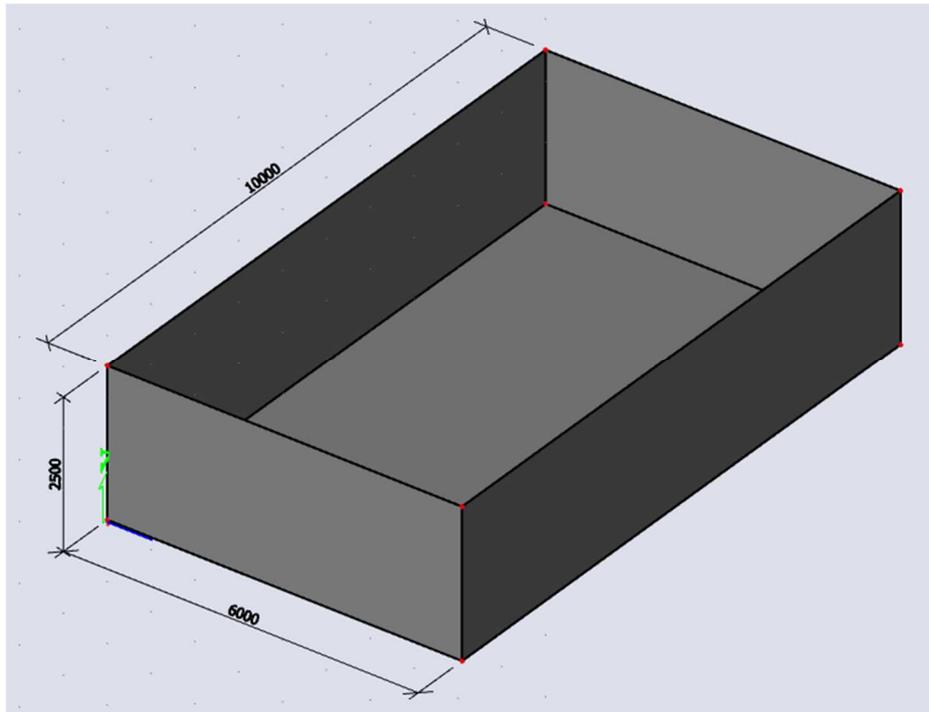
- Run the linear calculation
- Go to the results branch of the Process Toolbar and choose for "Surface loads" to see how the loads are taken into account:



Example 14: Swimming pool

1. Input of the geometry

- **Project data:** General XYZ, Concrete C25/30, Thickness of elements: 300 mm



- **Input of pool**

-Filter the Input Panel workstation to "Structure" and choose for "Plate" under "2D members". When doing so under the Scia Spotlight some options for the shape appear, choose for rectangle:



And enter coordinates "0 0 0" and "6 10 0" in the Scia Spotlight.

-Filter the Input Panel workstation to "Structure" and choose for "Wall" under "2D members". When doing so under the Scia Spotlight some options for the shape appear, choose for "select line":



Then you can simply select the edges of the slab you already created to insert 4 walls of height 2,5m.

- **Input of supports**

Look for “Surface support on 2D” under “Boundary conditions” in the Input Panel. Copy a predefined subsoil to the project library, click “OK” and assign the support to the bottom slab of the tank.

2. Loads

LC1: Self Weight

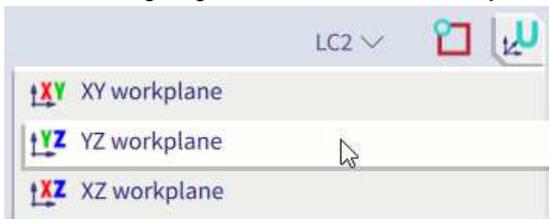
LC2: Water pressure (var.) → Free surface load from 0 till 25 KN/m²

LC3: Ground pressure → Soil pressure load from borehole data

Input of free surface load:

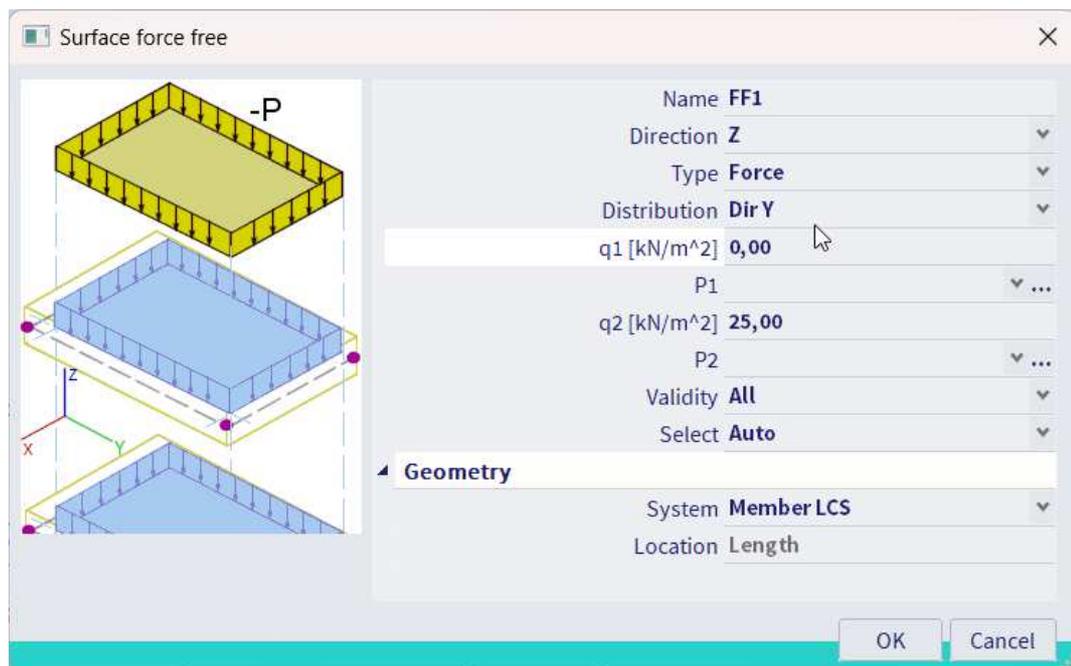
- UCS

A free load is always inputted on the UCS workplane and generated on some elements afterwards. Therefore first we are going to set the UCS vertically. Choose for YZ workplane under the UCS settings:

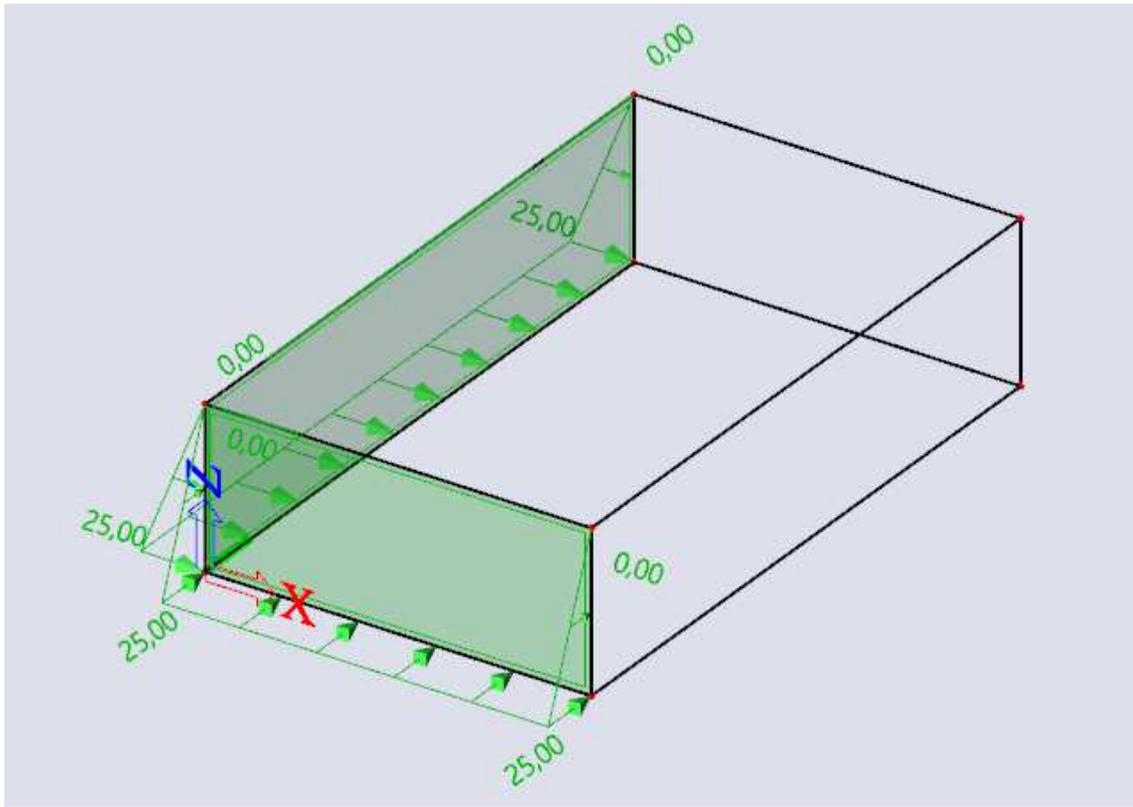


- Free load

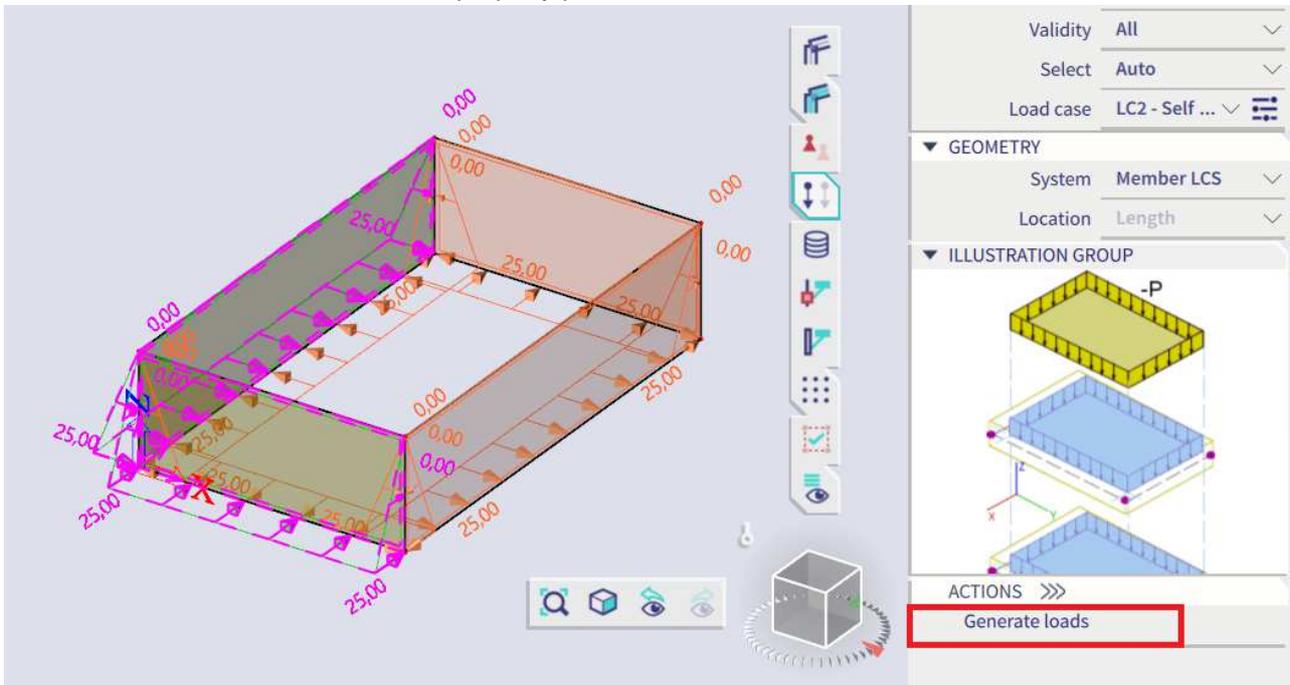
We are going to draw a free load over the whole projection of the tank and afterwards let Scia generate the loads according the LCS system of the tank. Filter the Input Panel workstation to "Loads" and choose for "Free surface loads" under "Surface loads". Use the below settings:



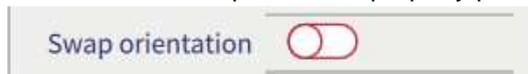
Draw a free surface and do so for UCS YZ as well as XZ to have loads in both directions:



Note: if you want to check how the load will be generated in the calculation, select the free load and click on "Generate loads" on the bottom of the property panel:



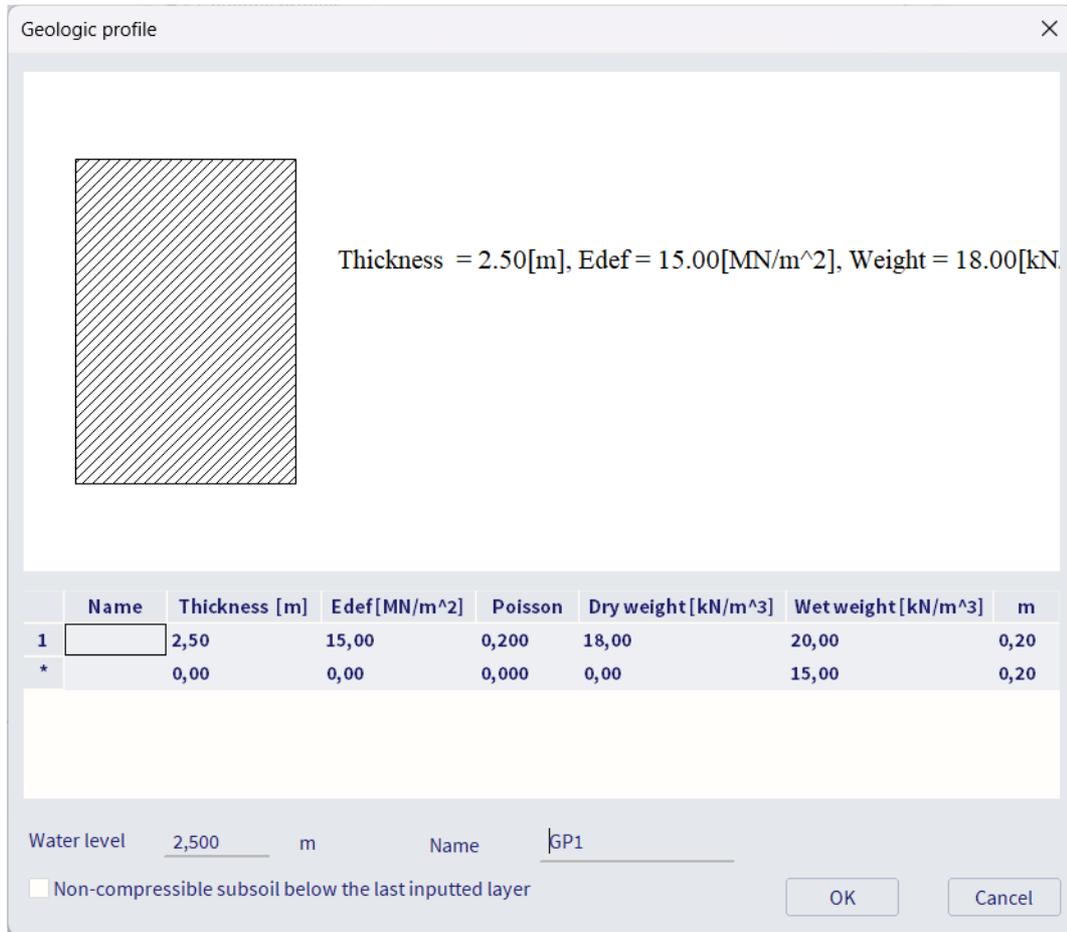
Note: remember we selected element LCS to generate the loads, if the load would be in the wrong direction you would have to invert the 2D element with this option in the property panel:



Input of soil pressure load:

- Borehole data

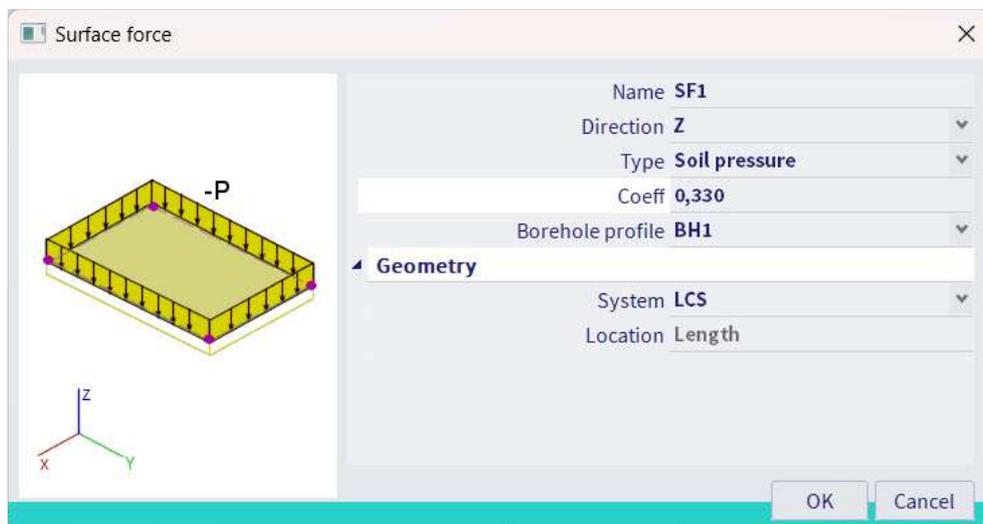
It is possible in Scia to automatically let generate the soil pressure on 2D elements based on a ground profile. Filter the Input Panel workstation to "Structure" and choose for "Borehole data" under boundary conditions. Fill in the below properties in the borehole data:



The top of the profile should represent the zero level of the ground, therefore input the borehole on top of the pool.

- Soil pressure load

Filter Input Panel workstation to "Loads" and choose for "Surface load on 2D" under "Surface loads":



The coefficient can be used to define the active ground coefficient. Click on ok and select the walls of the pool that should be loaded with a horizontal ground load.

3. Refine mesh

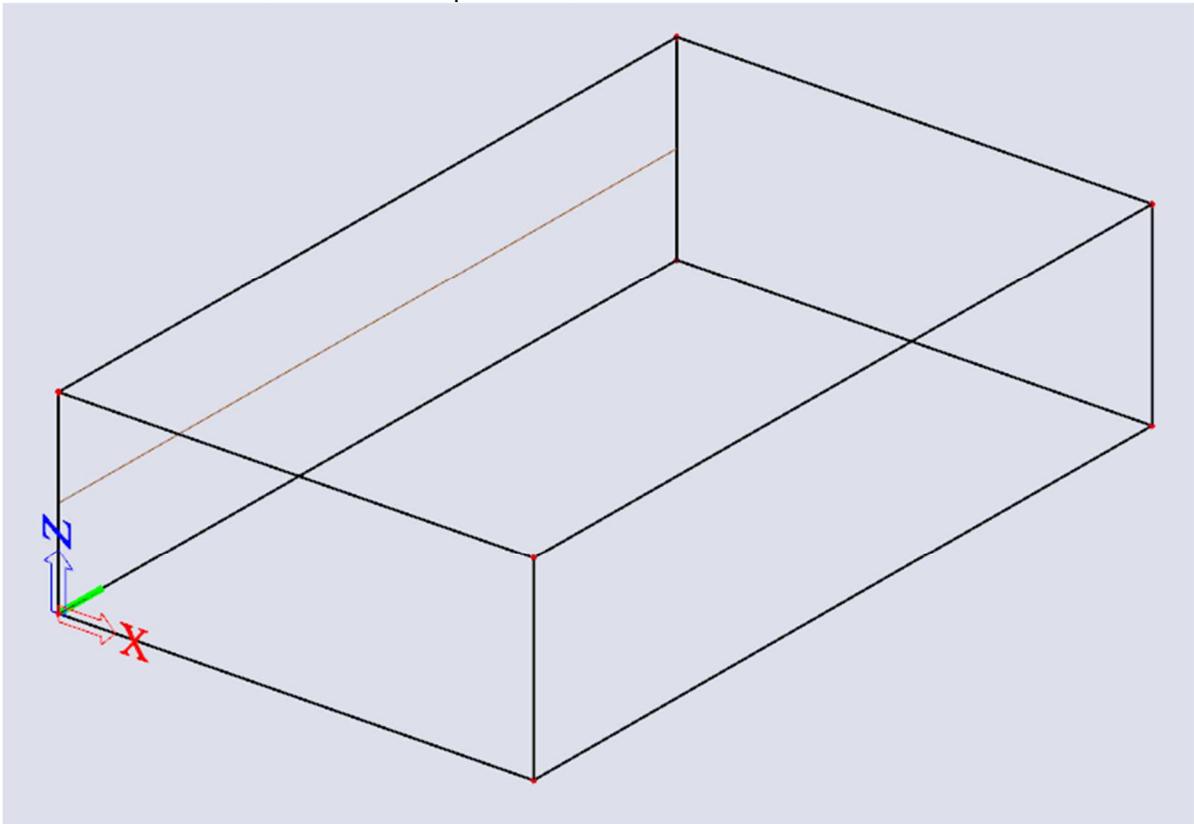
Refine mesh; size of mesh elements = 0,3m

4. Results

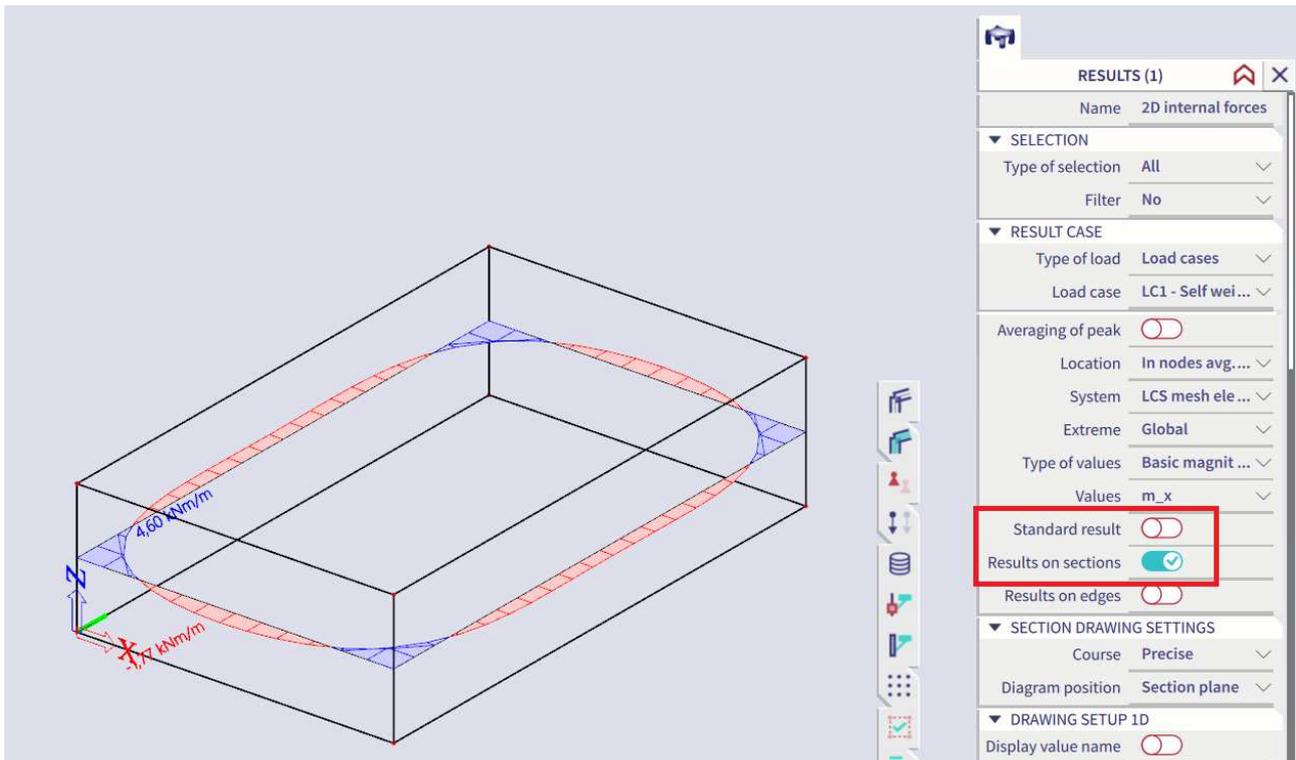
Search for "Section on 2D" in the Scia Spotlight. Make a section in X-direction:



Draw a section in the middle of one of the pool walls:



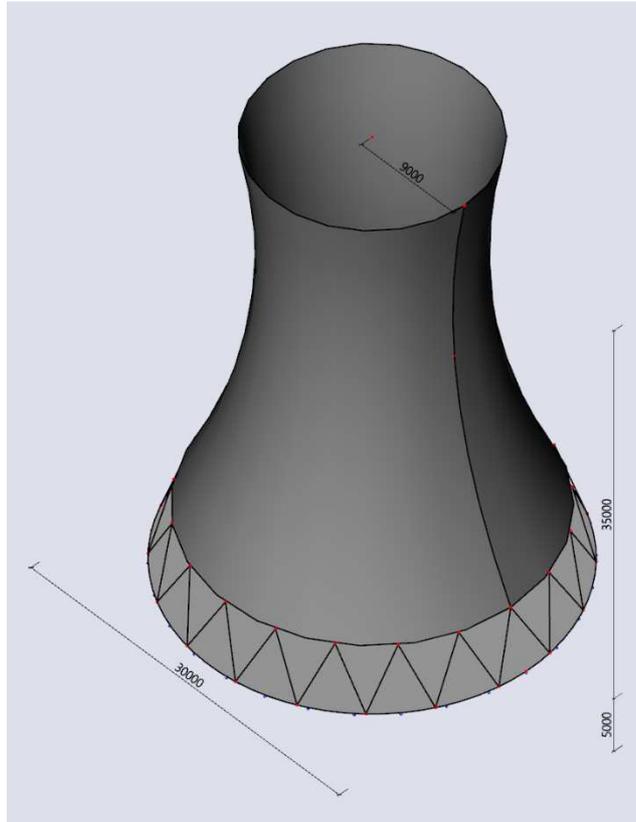
Go to the result branch of the Process Toolbar and choose for "2D internal forces". Enable section results and disable standard results to look at internal forces on the exact location of the section:



Example 15: Cooling Tower

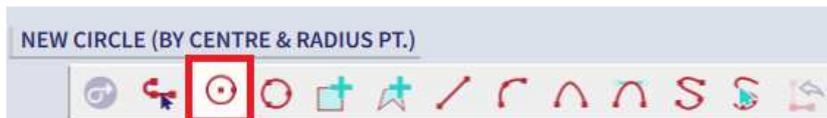
1. Input of geometry

- **Project data:** General XYZ – Concrete C30/37 – Shell thickness 200mm



- **Input of base slab**

Filter the Input Panel workstation to "Structure" and under "2D members" choose for "Plate". Under the Scia Spotlight choose for "New circle (by center & radius Pt.)" and enter coordinates "0 0 0" and "15 0 0".



- **Input of tower**

-Insert the line for revolution

Type "Line" in the Scia Spotlight and choose for "New parabolic arc" from the shape options:

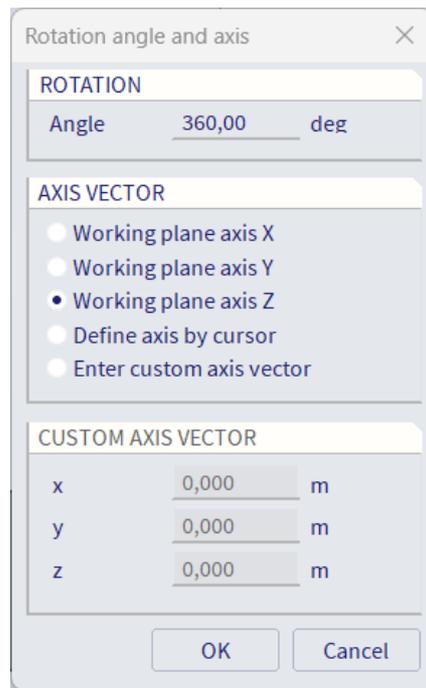


Enter the following coordinates: "13,5 0 5" – "8 0 25" – "9 0 40"

-Filter the Input Panel workstation to "Structure" and under "2D members" choose for "Shell – surface of revolution".

Under the Scia Spotlight choose for "Select line" and select the previously create parabolic arc, end with "ESC":

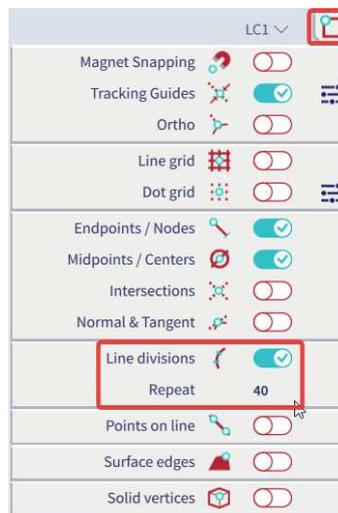




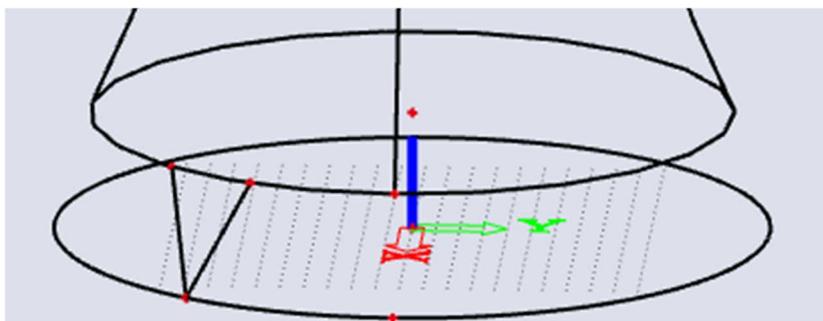
Click on "OK" and enter the origin's coordinates: "0 0 0".

- **Input of pillars**

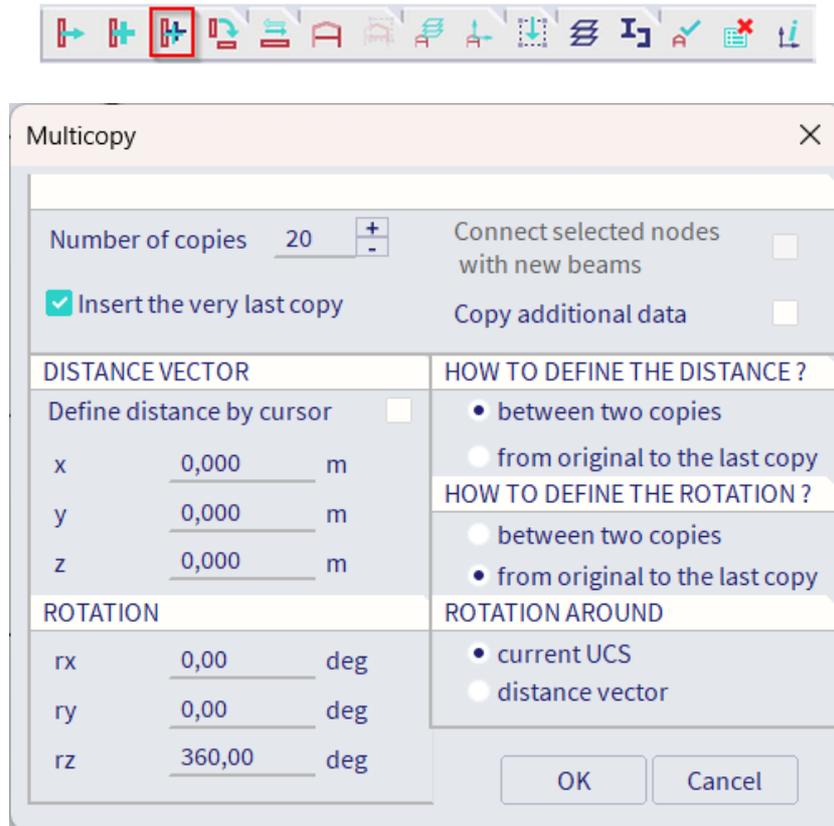
-Go to the snap settings and insert a value of "40" under "Line divisions"



Filter the Input Panel workstation to "Structure" and under "1D members" choose for "1D member". Choose a circular cross-section of diameter 500mm and draw 2 V-shaped columns:



Select the two columns and in the structure branch of the process toolbar choose for multicopy:



- **Input of supports**

-Filter the Input Panel workstation to "Structure" and under "Boundary conditions" choose for "Line support on 2D edge".

2. Actions after input

- Check structure data (main menu > tools > check structure)
- Connect members and nodes (main menu > edit > modify > Connect members and nodes)

The latter is automatically done when any calculation is run.

3. Loads

- Load cases

LC 1: Self weight

LC 2: Temperature load (Var.) > Thermal on 2D member, Delta = 40 K

LC 3: Wind load (Var.) > Surface load 0 to 1,4 kN/m²

- Load groups

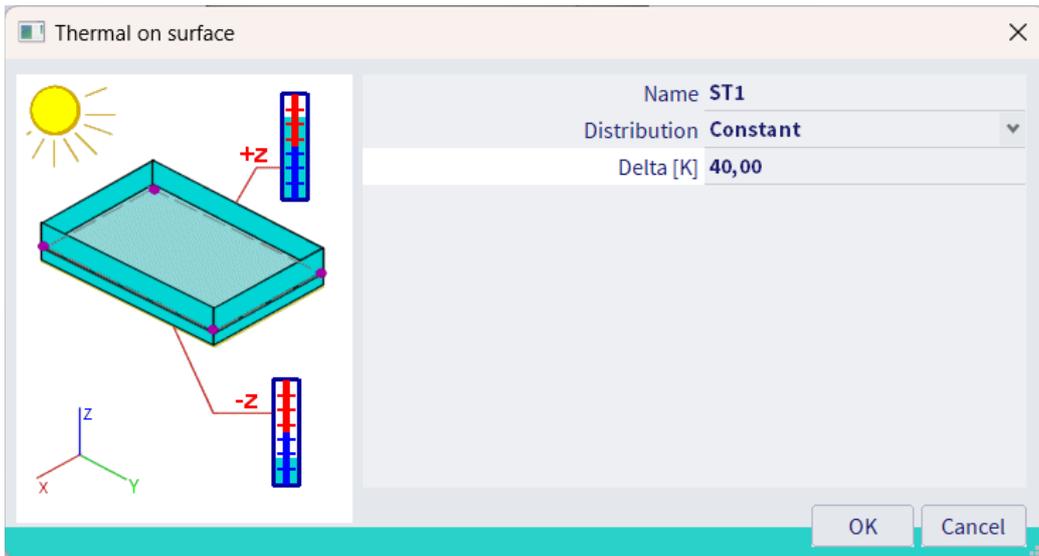
LG 1: Permanent

LG 2: Variable, EC1 Load type = Temperature

LG 3: Variable, EC1 Load type = Wind

- Temperature load

Switch the load cases dropdown menu to "LC2", filter the Input Panel workstation to "Loads" and choose for "Temperature load on 2D " under "Temperature loads":



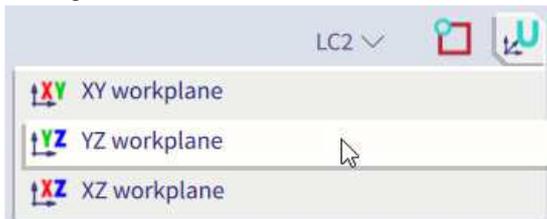
Click on "OK" and select the shell.

- Free surface load

Input a free surface load to simulate the wind pressure.

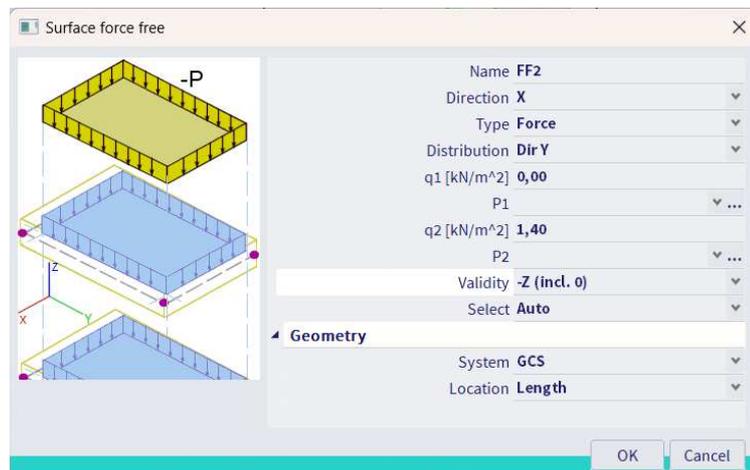
-UCS

A free load is always inputted on the UCS workplane and generated on some elements afterwards. Therefore first we are going to set the UCS vertically. Choose for YZ workplane under the UCS settings:

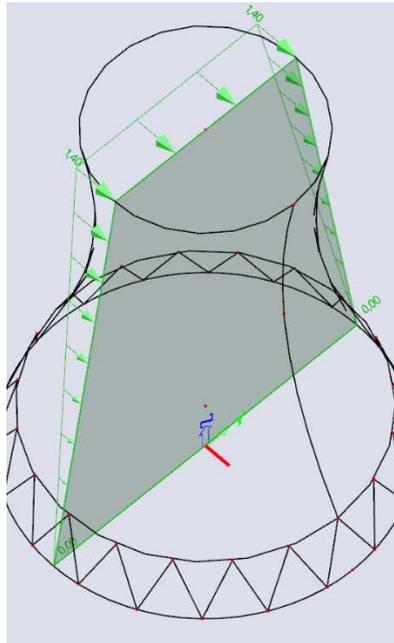


-Free load

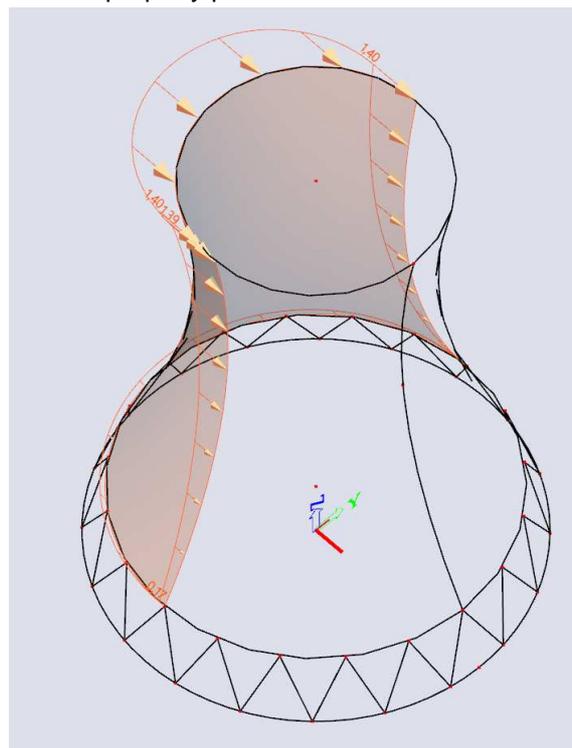
We are going to draw a free load over the whole projection of the tower and afterwards let Scia generate the loads according the GCS system. Filter the Input Panel workstation to "Loads" and choose for "Free surface loads" under "Surface loads". Use the below settings:



Draw a free surface load and make sure you cover the whole projection of the building:



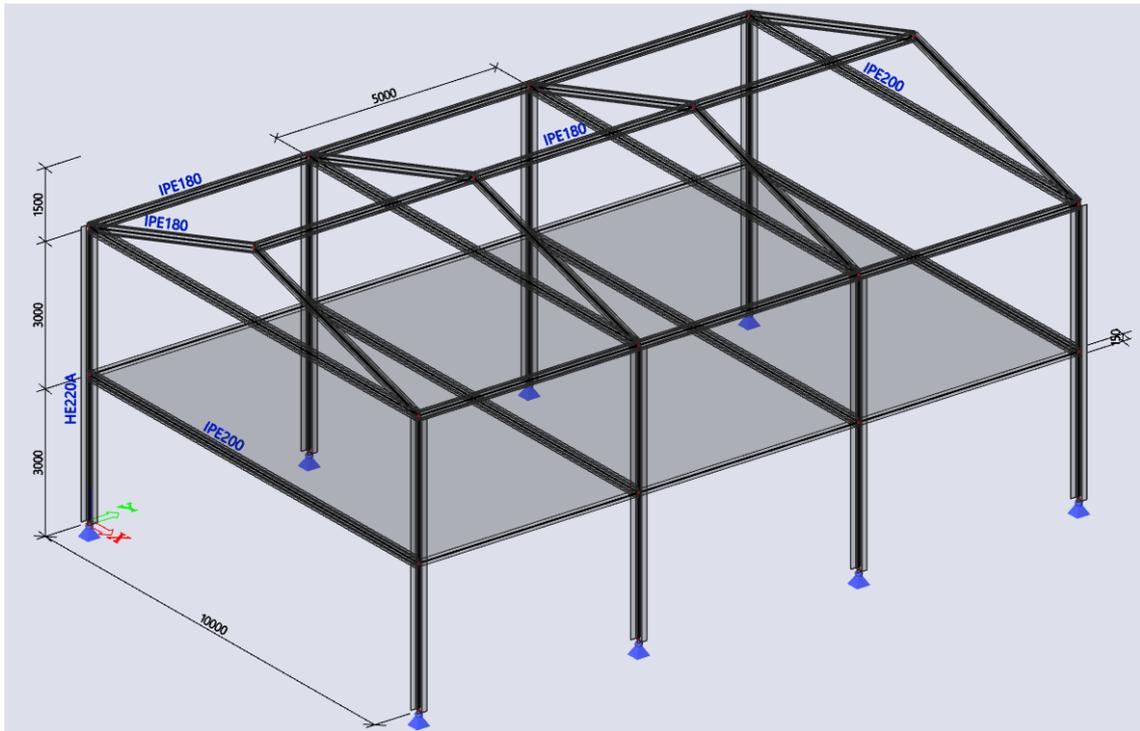
Note: if you want to check how the load will be generated in the calculation, select the free load and click on "Generate loads" on the bottom of the property panel:



Example 16: Steel hall with concrete plate

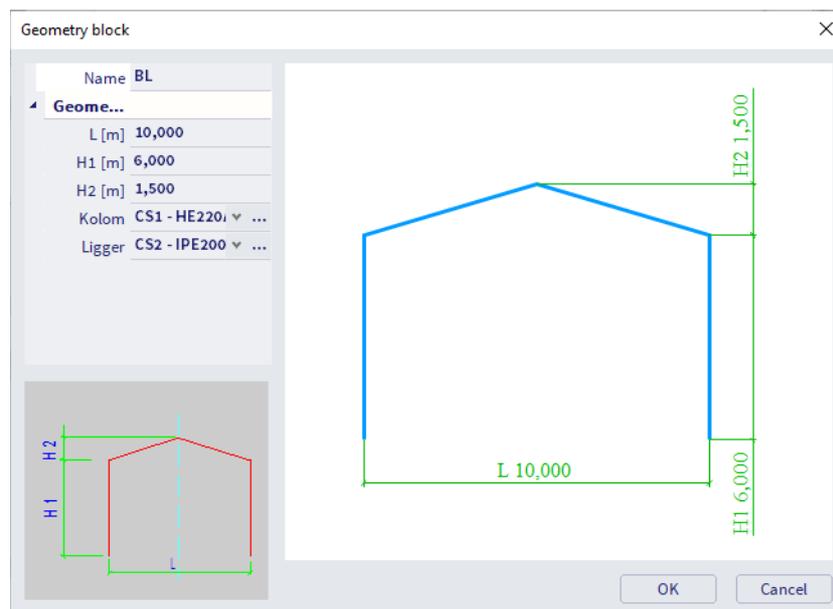
1. Input of geometry

- **Project data:** General XYZ – Concrete C25/30 – Steel S 235



- **Input hall**

- Provide the correct types of cross-sections in the cross-section library and then input one frame first. In the Input Panel set the category filter to 'Import & Blocks' and choose for 'Catalog blocks'. Choose for frame 2D and fill in values as shown below:



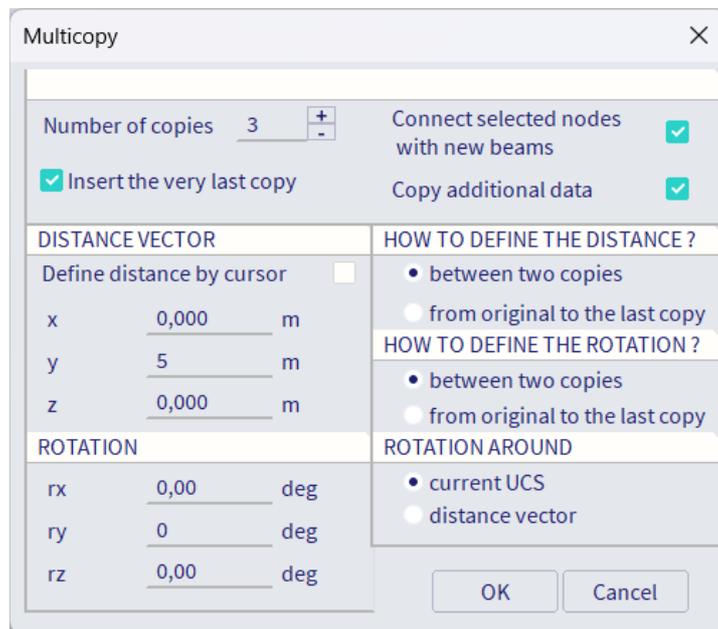
Insert the block on the origin by typing "0 0 0" in the command line.

Then provide one additional beam between the midpoints of the columns and one additional beam between the end points of the column.

You can do that by using the marking menu (ALT+RMB):



- Select all the 1D elements of the frame and also the top 3 nodes. From the structure branch of the process toolbar, choose for "Multicopy".

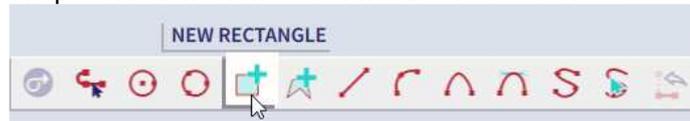


Choose a cross-section for the connecting beams in the next window.

- Input the slab using the marking menu (ALT + RMB):



Choose for a rectangular shape and click on two outer middle nodes of the columns:



2. Connect elements

- Automatic

In the main menu go to "Edit" > "Modify" > "Connect members/nodes".

Enable "Check structure data" in the next window if you want to check the structure in one go.

- Manual

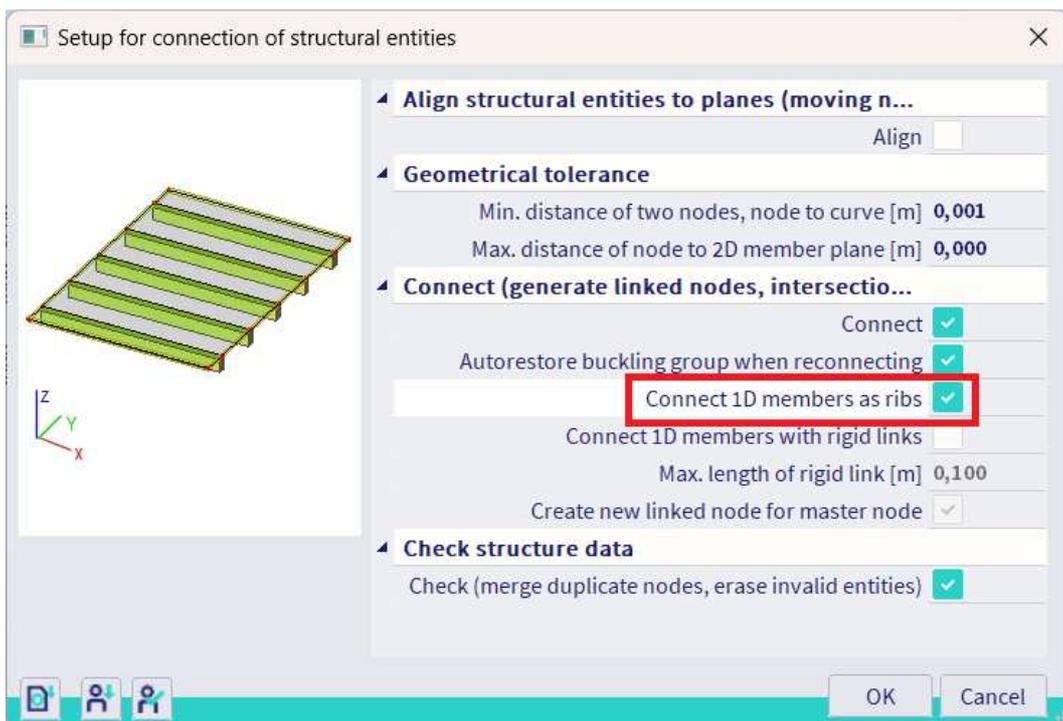
2D elements in Scia are by default not connect with in plane beams you added to the model. You can do two things if you want them to be connected:

- Create an internal edge on the 2D element on the exact same location of the beam so that Scia can create mesh nodes along this edge to connect the elements.



On the boundary edges of the slab the above is not necessary because there obviously already exists an edge.

-Convert the 1D elements or beams into ribs. There is an additional option in "Connect members/nodes" to do this automatically:



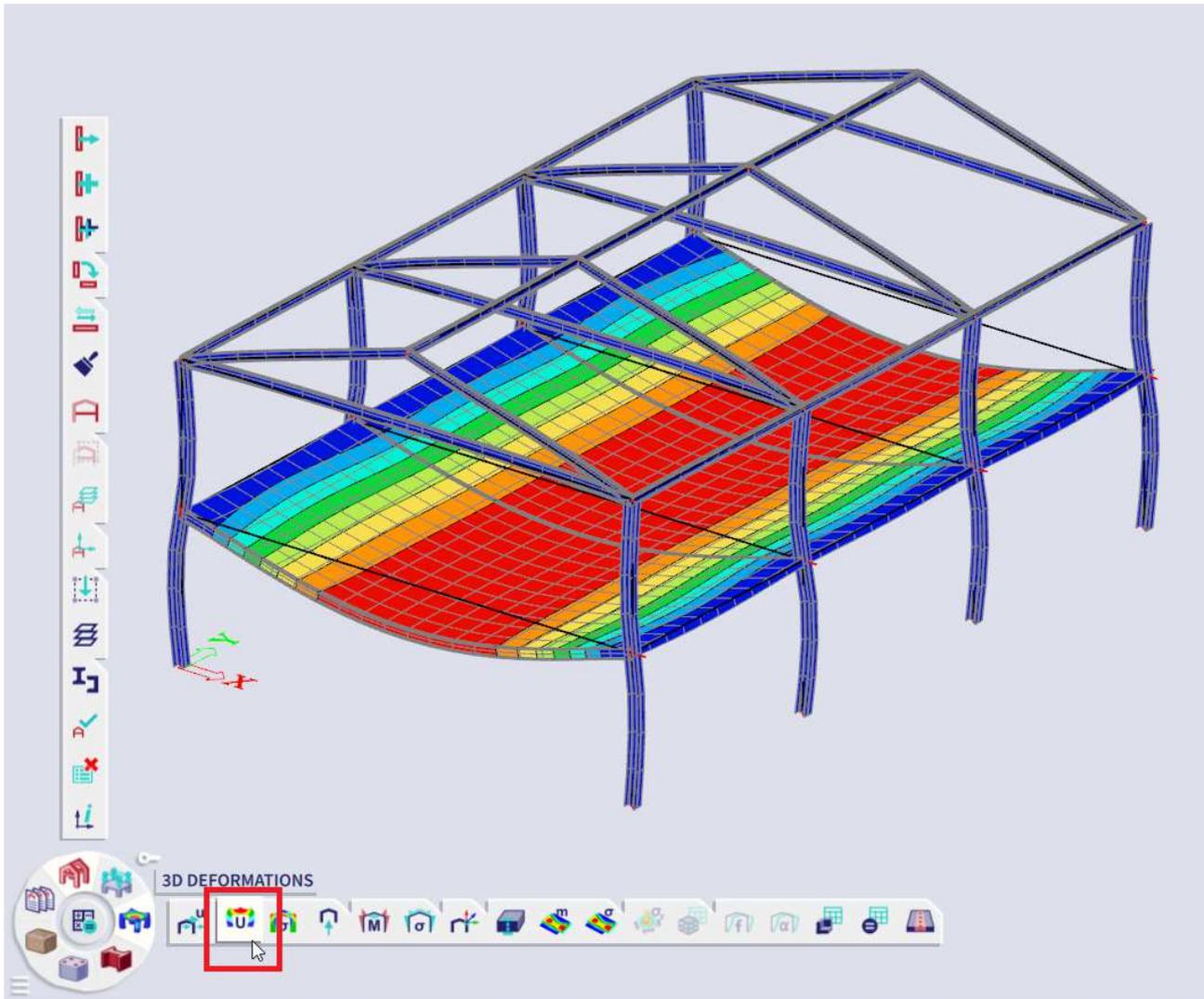
3. Load cases

LC1: Self weight

LC2: Service load (var.) → Insert a surface load of 2 KN/m²

4. Results

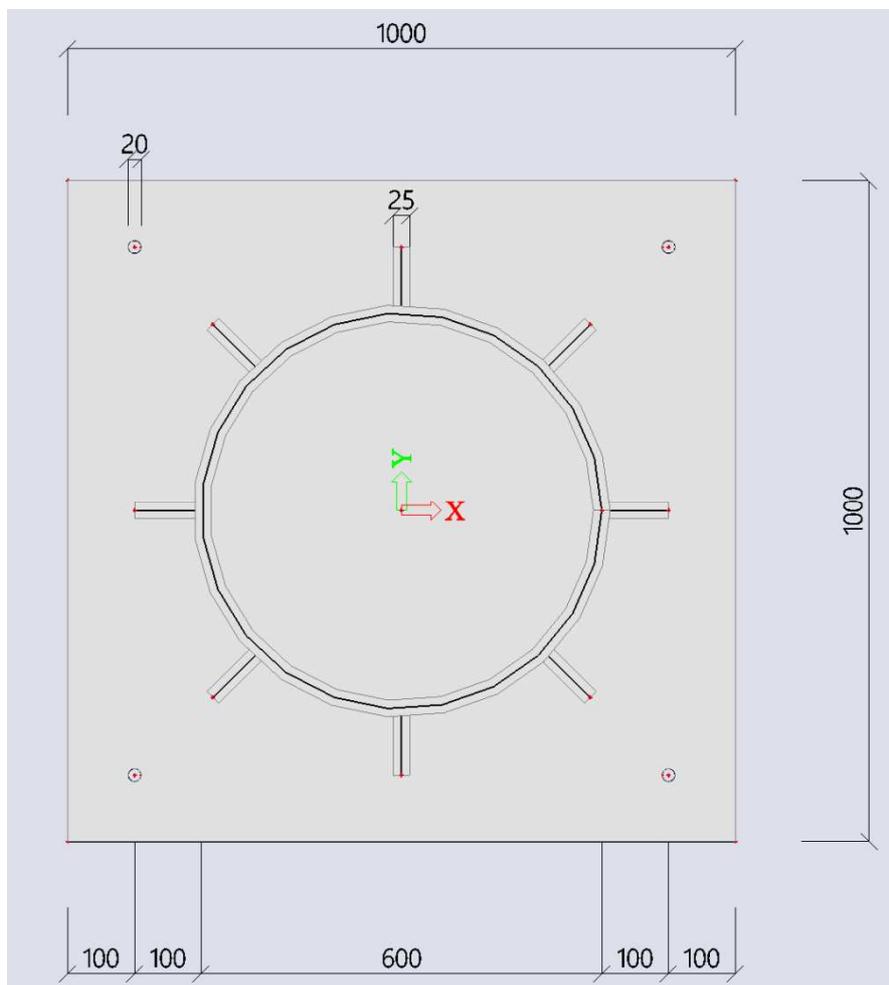
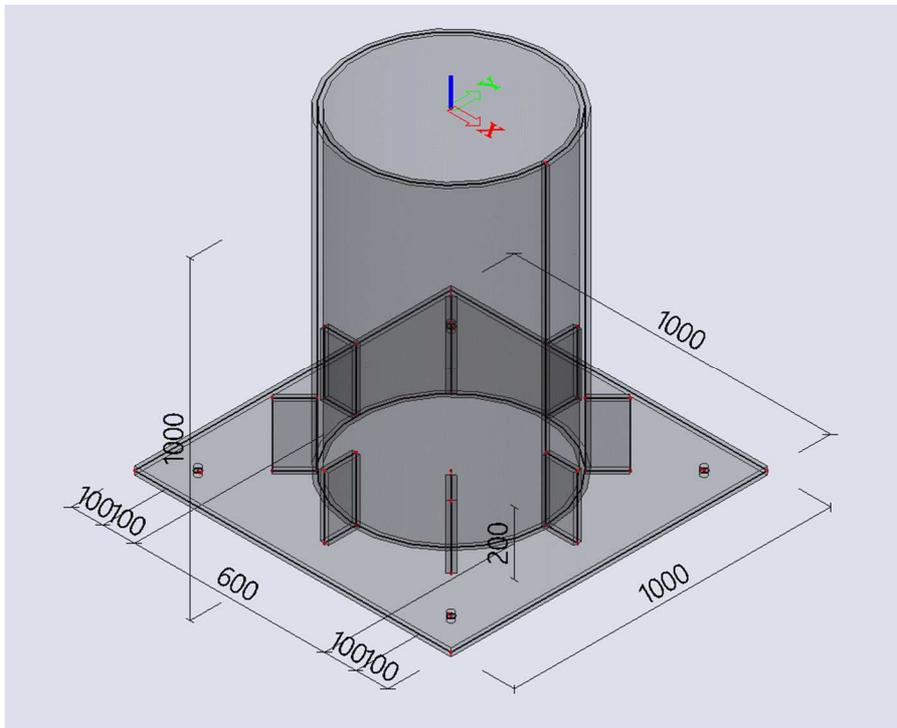
After the calculation verify if the beams and the slab are moving together in the 3D deformations:



Example 18: Detailed study of a column base

1. Input of geometry

- **Project data:** General XYZ, steel S 235

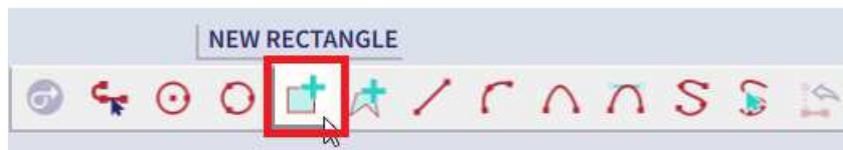


- **Input column base:**

You can narrow down the content of the Input Panel by setting the category filter to '2D Members' and choose for "Plate":



Set the properties, click "OK" and choose for a rectangular shape of plate definition:



Enter coordinates "0 0 0" and "1 1 0".

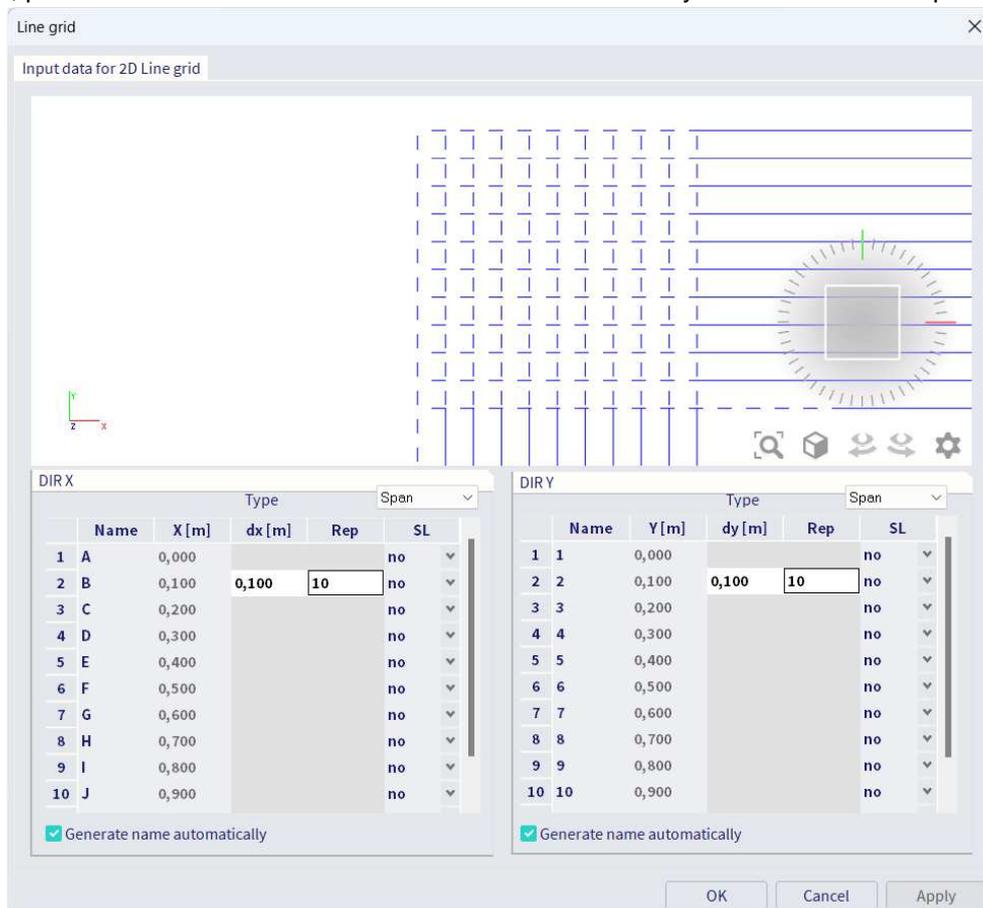
Use the same Input Panel filtering and select "Wall". Set the properties, click "OK" and choose for "new circle (by center & radius PT.)"

Enter coordinates "0,5 0,5 0" and "0,8 0,8 0"

- **Input bolt holes:**

Diameter of the holes is 20 mm.

Filter the Input Panel category to "Grids & stories" and choose for "Rectangular grid". Fill in the values as shown below, press "OK" and enter the coordinates "0 0 0" followed by enter in the SCIA Spotlight:



Enable the snap to line grid:



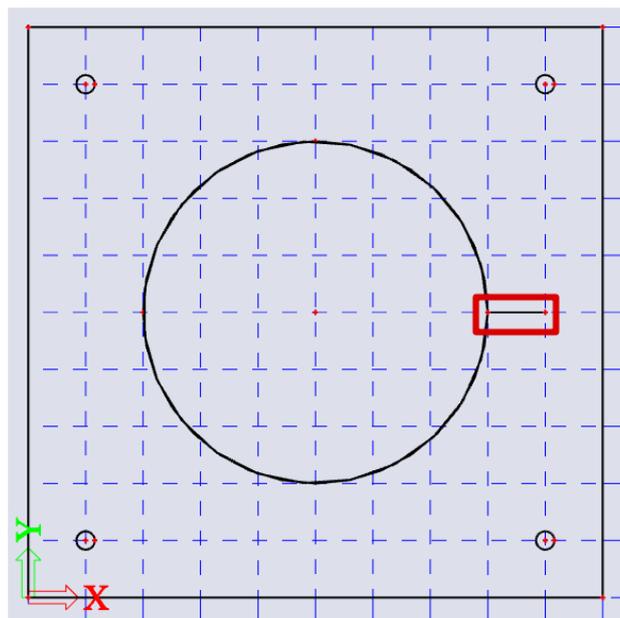
Search for "Opening on 2D" in SCIA Spotlight and create the first opening by choosing "New circle (By center & radius pt.)" underneath the SCIA spotlight, snapping on the grid lines and typing "@0,01 0 0" in the SCIA Spotlight to define the radius.

Afterwards copy the opening to the correct locations with the below icon from the Process Toolbar:

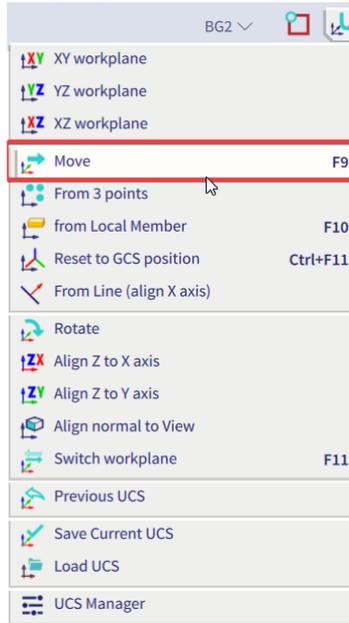


- **Input of stiffeners:**

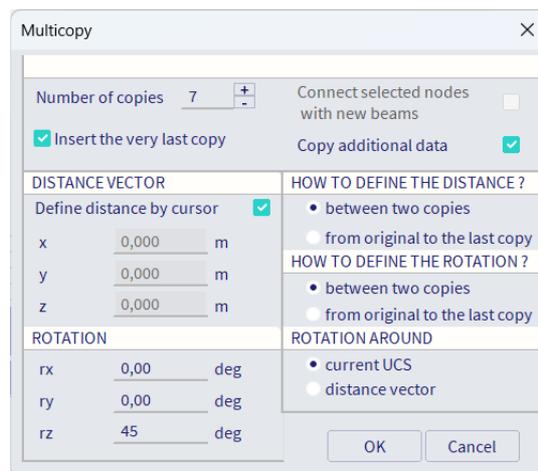
Filter the Input Panel workstation to "Structure" and under 2D members choose for "Wall". In the properties choose a height of 0,2m and use the grid lines to define the wall:



We are going to use multicopy to define the remaining part of the stiffeners. But a rotational copy is always defined around the UCS system. So we are going to move it to the center of the column:



Afterwards use "Multicopy" from the Process Toolbar and use the below settings:



- **Input supports**

Filter the Input Panel category filter to "Boundary conditions" and:

- Apply surface supports on the base plate.
- Apply line support on 2d edge of opening.

2. Actions after the input of the geometry

- Tools > **Check structure**
- Edit > Modify > Connect members/nodes
Or you can simply type "Connect members/nodes" in the SCIA Spotlight. Note that you can do this action both for a selection or the whole structure (select nothing to do the latter).

Note: connecting the elements is done by default when you perform a calculation:

3. Charges

- **Load cases**

LC1: Self weight

LC2: Normal force: -60 kN/m at the top edge of the column

LC3: Moment: 20 kNm/m at the top edge of the column in global Y direction

p

- **Combinations**

Linear – ULS: $1,00 \cdot LC1 + 1,00 \cdot LC2 + 1,00 \cdot LC3$

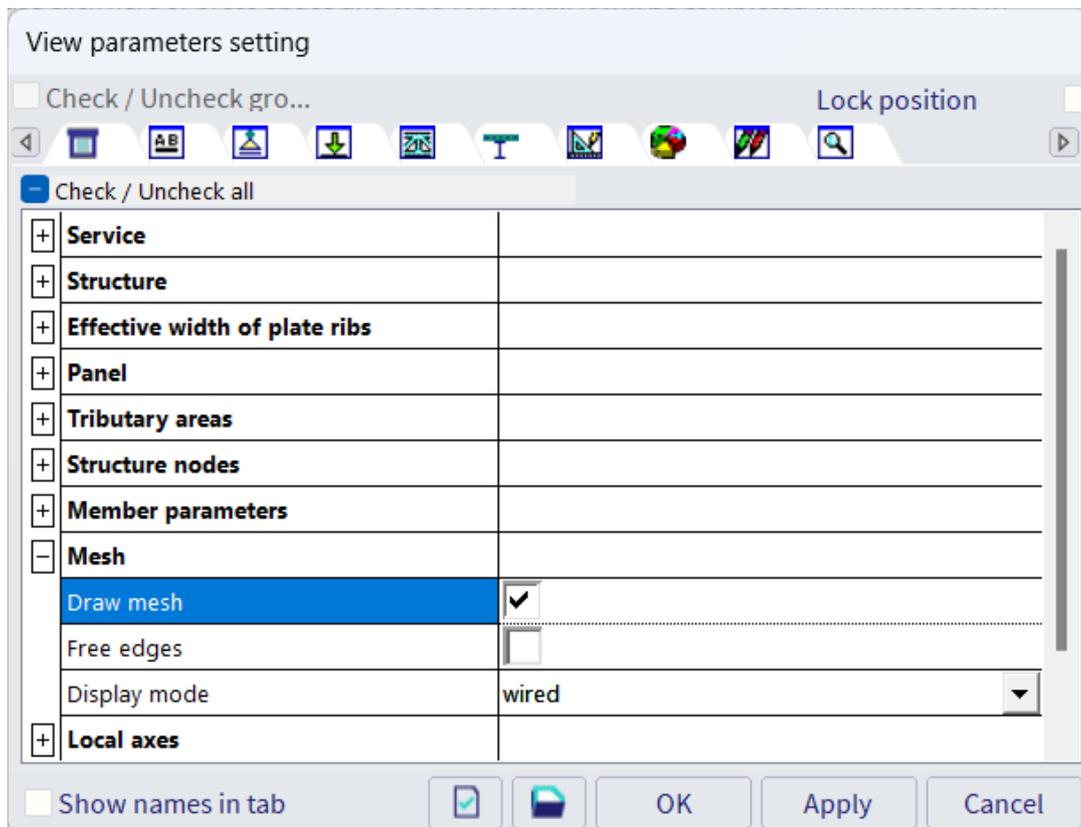
4. Finite element mesh

Global mesh refinement: "Main menu" > "Tool" > "Calculation & Mesh" > "Calculate" or click in the center of the Process Toolbar wheel. Size of the mesh elements = 0,025 m.

Local mesh refinement around the bolt openings: "Input Panel" > "Local mesh refinement" > "Node mesh refinement". Set radius to 0,05 m, ratio to 0,01 and select centers of openings.

Mesh generation: "Main menu" > "Tool" > "Calculation & Mesh" > "Generate mesh". This is automatically done when you run the calculation.

Display the mesh: right click on screen > "View parameters for all entities":



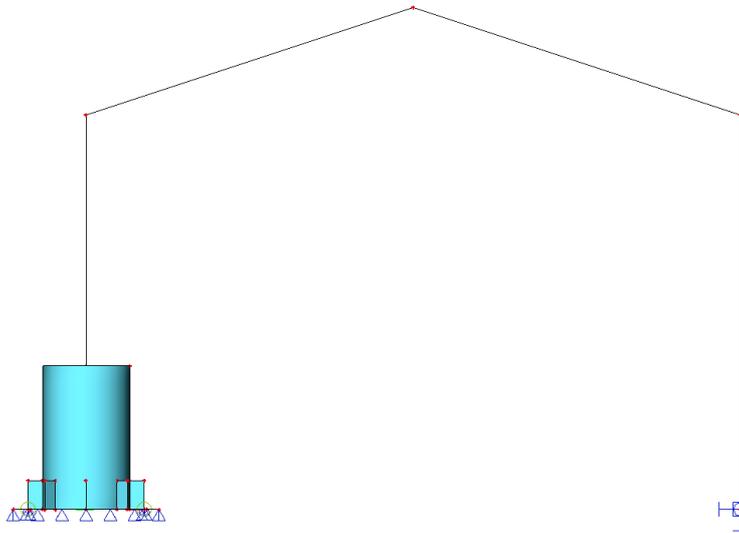
5. Results

Go to the "Results" branch of the Process Toolbar and choose for "3D deformations".

Go to the "Results" branch of the Process Toolbar and choose for "3D stresses".

6. Link 2D (connection detail) to 1D (global structure)

Create a frame around the detail as shown in example 2.



Filter the Input Panel category filter to "Boundary condition" and choose for "Line rigid link". Select the end node of the column and afterwards the upper edge of the detail:

